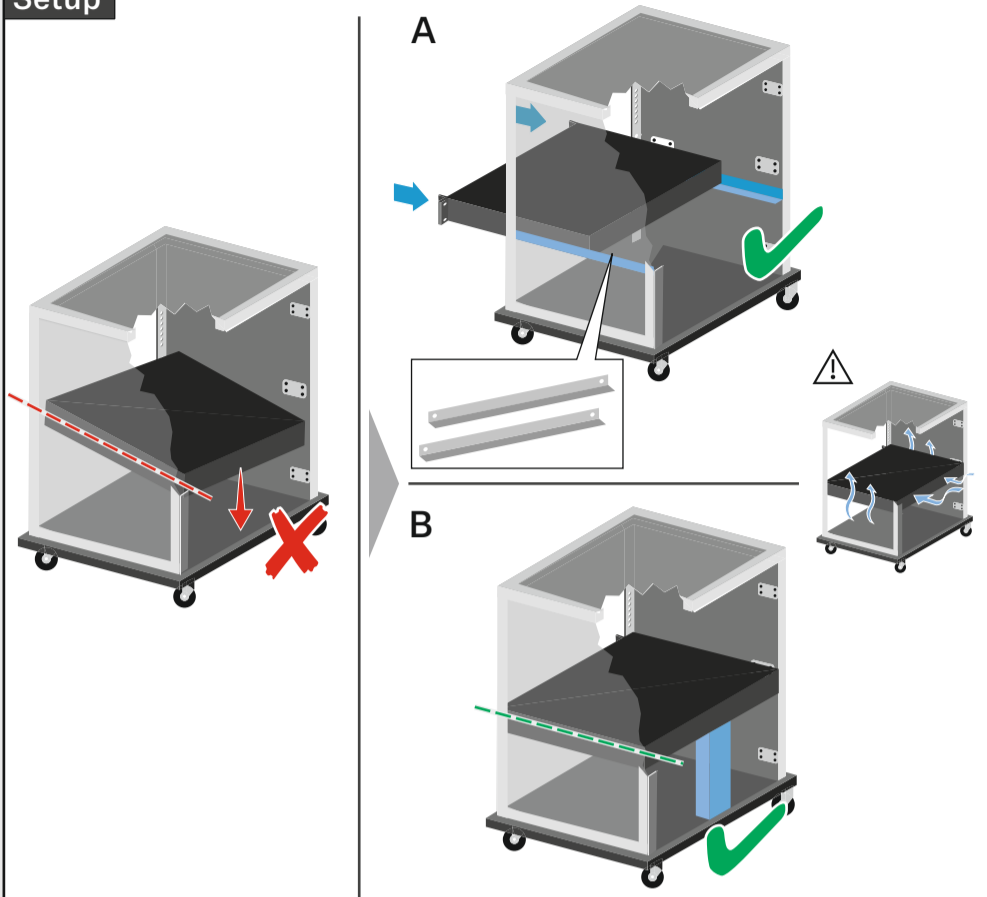




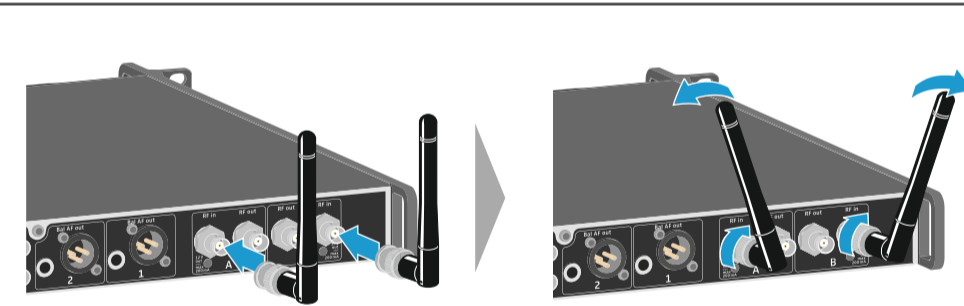
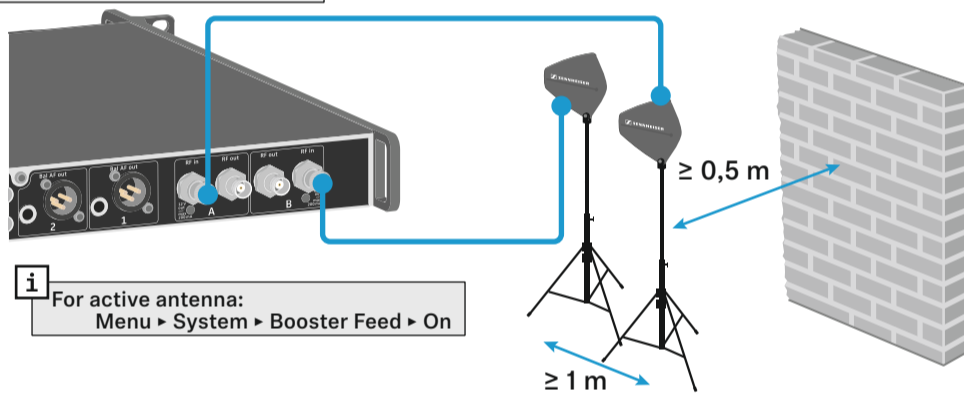
Digital 6000 EM 6000 | EM 6000 DANTE

Quick Guide | Kurzanleitung | Guide rapide | Guida rapida | Guía de inicio rápido | Guia rápido | Beknopte handleiding | Krótka instrukcja obsługi | Snabbguide | Kort vejledning | Pikaohje | Γρήγορος οδηγός | Kısa Kılavuz | Краткая инструкция | 快速指南 | 快速使用指南 | クイックガイド | 요약 설명서

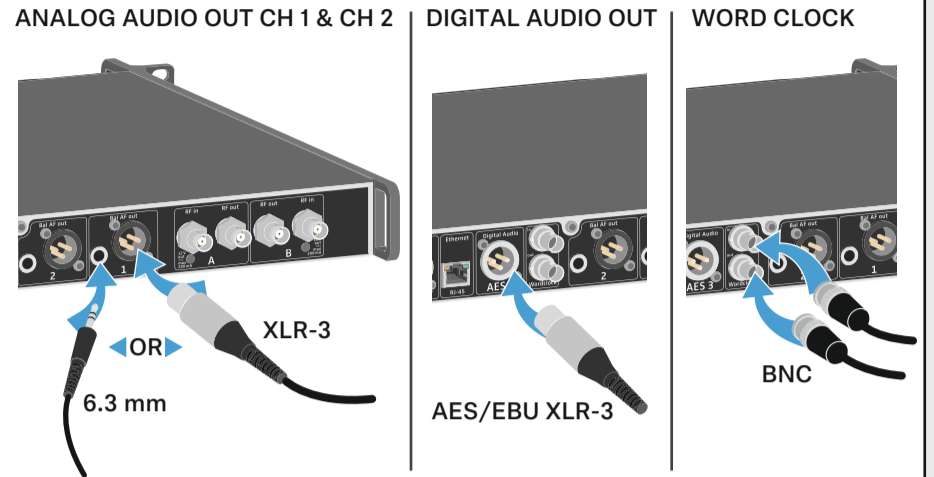
Setup



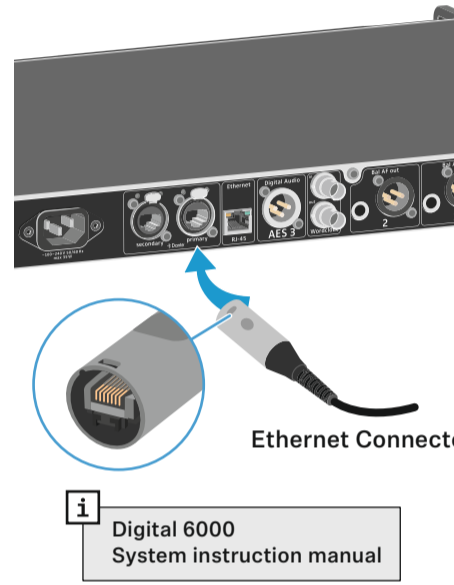
Recommended antenna setup for best performance



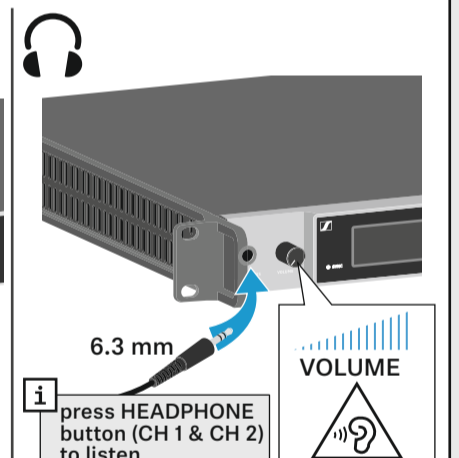
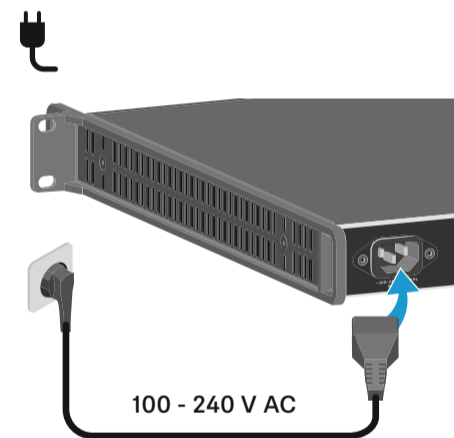
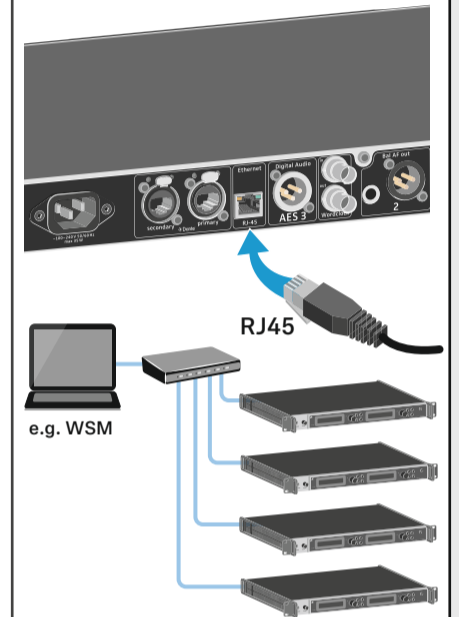
Setup



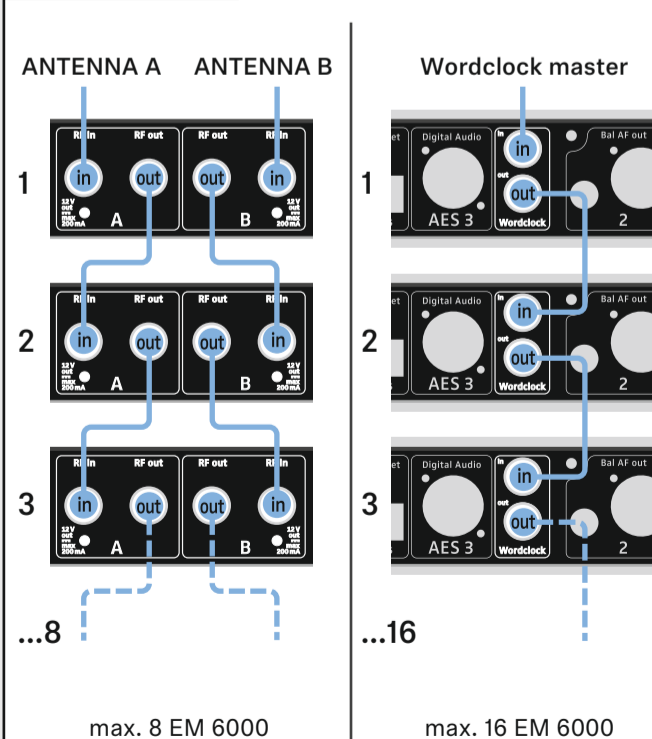
Dante® Audio Network (EM 6000 DANTE only)



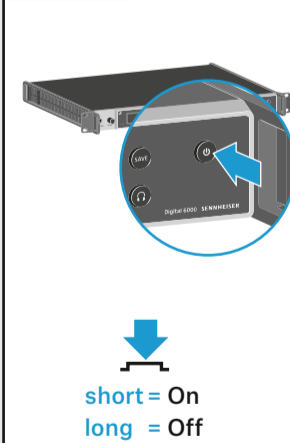
Remote Network



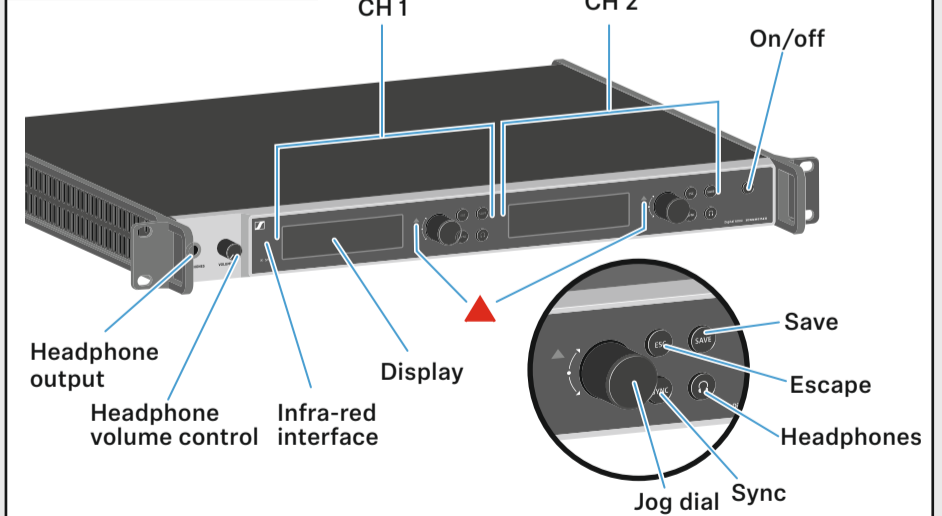
Daisy chaining



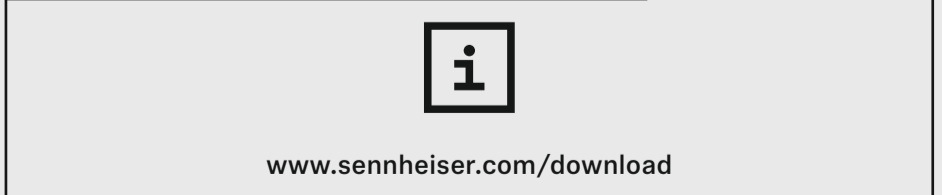
On/Off



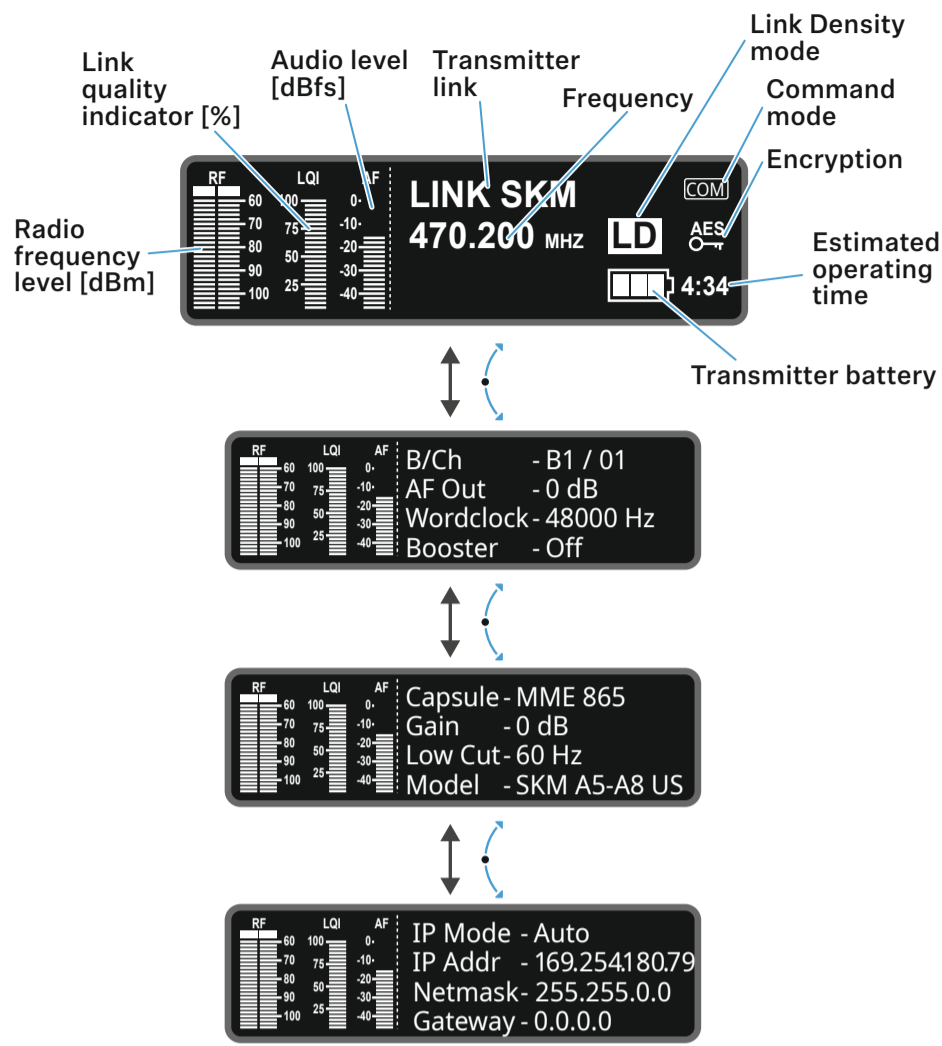
Operating elements



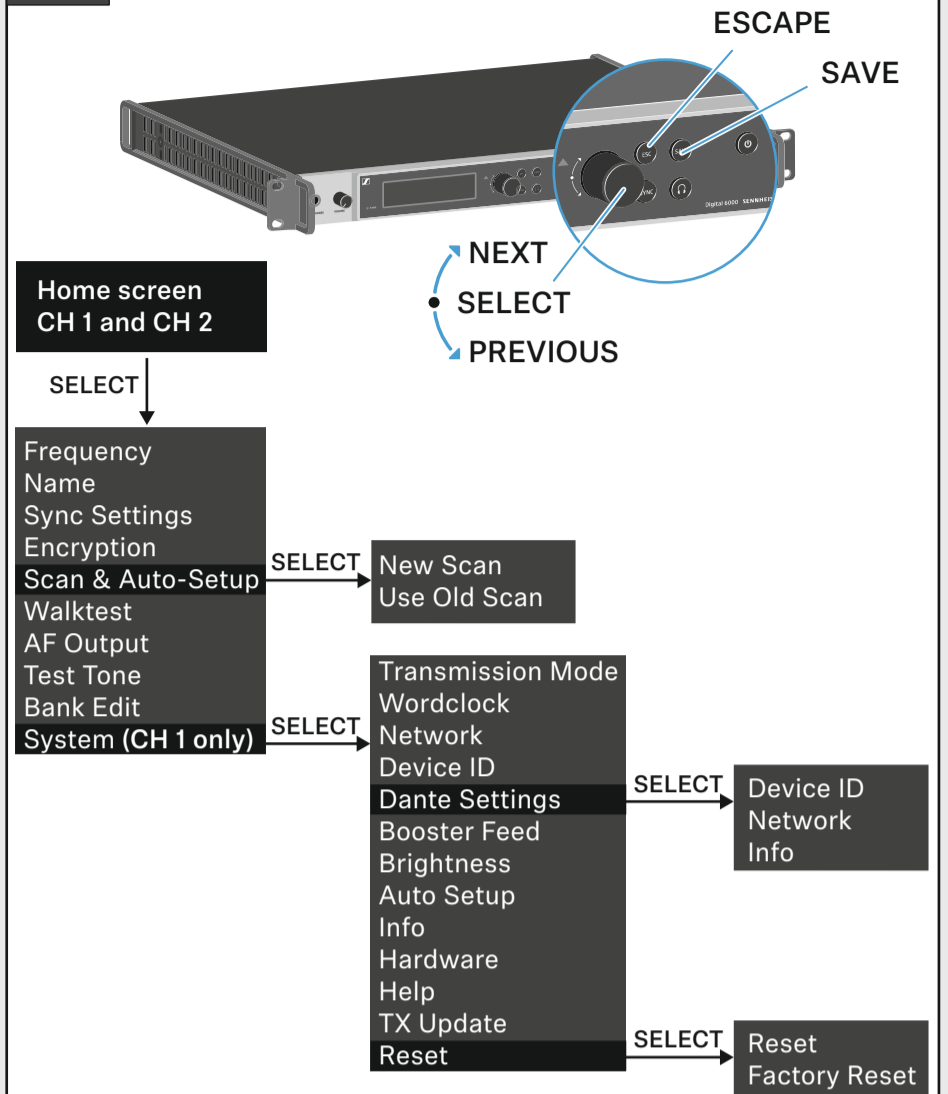
Digital 6000 System Instruction Manual



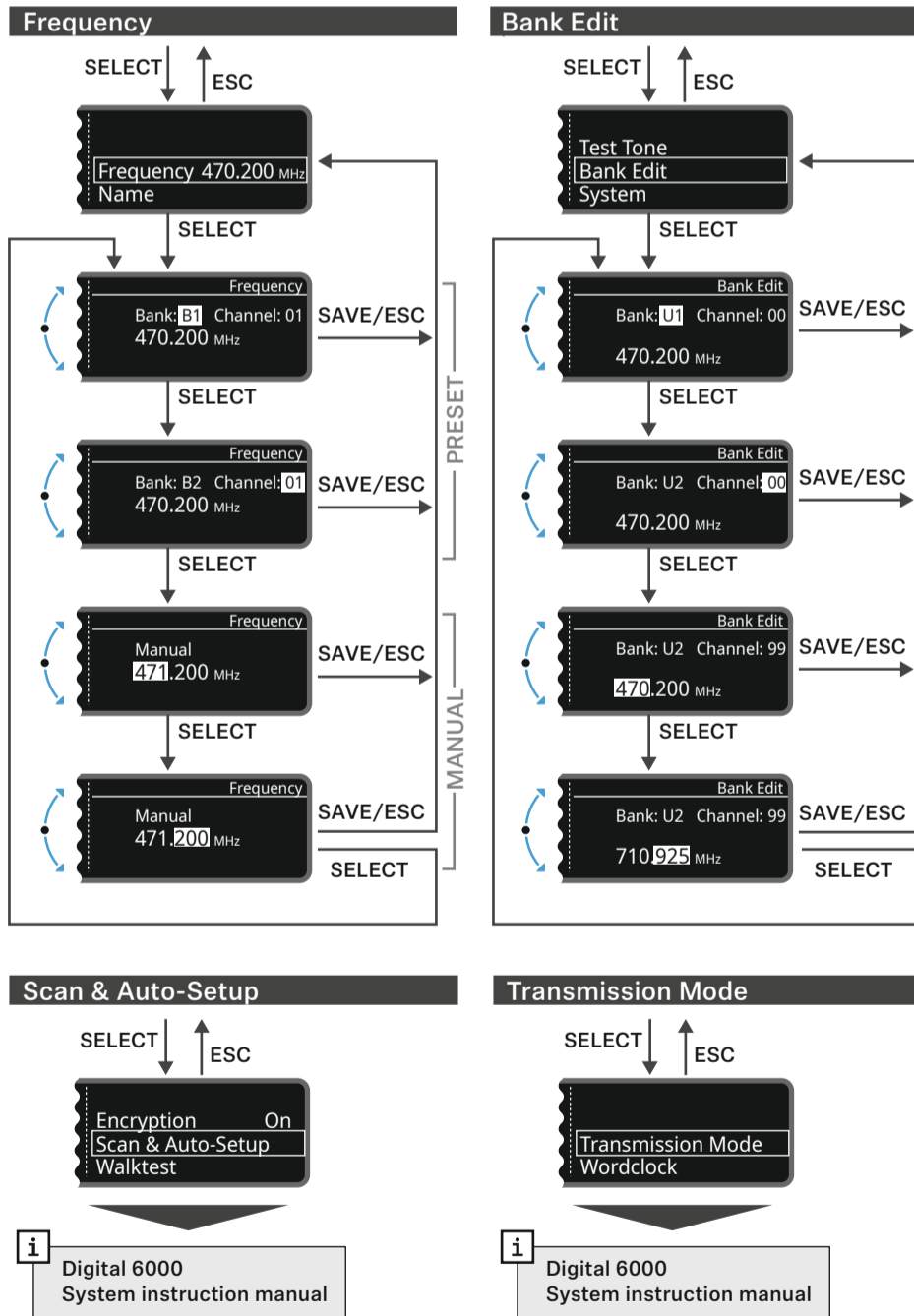
Home screens



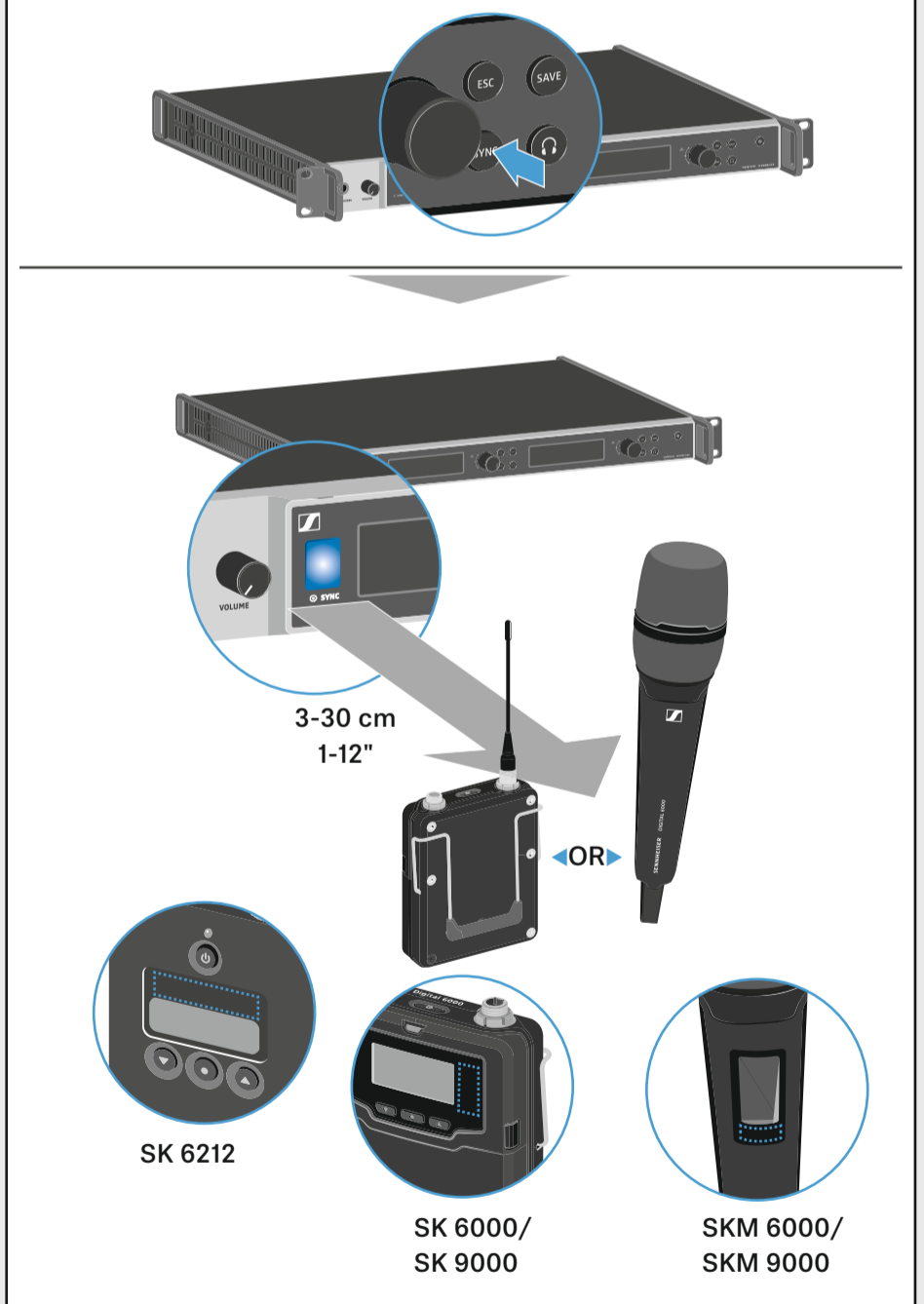
Menu




Change frequency




Sync



Digital 6000 System Instruction Manual


www.sennheiser.com/download


 OR
 