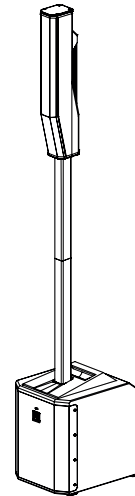




EVOLVE-30M Portable Powered Column System

- Designed to deliver absolutely uncompromising sound quality - real pro audio in a column format
- The most complete package in its class - powerful DSP, integrated mixer, Bluetooth remote control and streaming, and more
- Custom-designed EV-engineered components - what's behind the grille makes a difference
- Ultra lightweight, single-trip portability and super-quick setup
- The new member of the best-selling EVOLVE family - proven performance and reliability



Designed to deliver a step up in sound quality and set a new performance standard for compact column speaker systems - EVOLVE 30M is perfect for solo musicians, small groups, mobile entertainers and smaller venues that need an easy-to-use, highly portable and lightweight system with extraordinary coverage and output for its size. EVOLVE 30M comes ready to go with speaker array, symmetrical aluminum pole connectors with internal wire assembly and magnetically assisted latching, subwoofer, and included pole/array carry case - all designed to pack up compactly, set up and tear down quickly, look great on stage, and withstand real-world wear and tear. Professional-grade EV-engineered components and build quality - The full-range column array and its six 2.8" neodymium drivers provide room-filling ultra-wide 120° coverage via custom-designed waveguides; array-formed 40° asymmetrical vertical coverage ensures acoustic output is directed towards both sitting and standing audience members. The array enclosure is constructed from a durable composite material and incorporates an ergonomic aluminum handle. Four tuning ports are located on the rear of the enclosure for acoustic optimization. A 10" subwoofer is housed in a 15 mm wood enclosure with a high-efficiency laminar-flow vent design, for enhanced rigidity and

acoustical performance. The Class-D amplifier provides up to 1000 W of output power: 500 W to the subwoofer and 500 W to the column array. The speakers are protected by a black powder-coated 18 ga. steel grille. Combined, these components generate a genuinely stunning performance to size ratio - an elegant form factor that looks as good as it sounds. The most extensive feature set in its class - The EVOLVE 30M has an integrated full-function and fully programmable eight-channel digital mixer with multiple inputs (4x XLR/TRS combo line/mic inputs, 1x XLR/TRS stereo line input, 1x RCA, 1x 3.5 mm stereo, 1x Hi-Z instrument input, wireless Bluetooth® Audio Input), and professional-grade preamps and mixer functions - all designed in collaboration with the world-class mixer engineering team at EV's sibling brand Dynacord. For the performing musician, Hi-Z and foot switch inputs are included for flexible system configuration, and a range of onboard studio-quality effects (30 presets, including chorus, delay, flange and reverb, via two FX channels) add myriad options for finessing your sound. This reduces set-up time - and on-stage clutter - by minimizing the need for external equipment such as a mixer and effects pedals, which also makes loading in and out of the venue quicker.

2 | EVOLVE-30M Portable Powered Column System

High-resolution, low-latency Bluetooth®* streaming ensures exceptional results for music playback or accompaniment.

The next-generation Electro-Voice Quick**Smart** Mobile application utilizes Bluetooth® Low Energy (BTLE) technology for the wireless configuration, control, mixing and monitoring of all parameters of up to six EVOLVE 30M systems simultaneously, and is fully programmable. The full-function GUI allows intuitive control of all system functions from your mobile device. EVOLVE 30M offers simple or sophisticated operation according to your application, making great sound easy for users of all levels.

EV's industry-leading Quick**Smart** DSP interface - Allowing intuitive navigation of system parameters via an LCD with single-knob control - as well as multiple options for signal routing and inputs. Setup is simple via four presets (Music, Live, Speech, Club), three-band system EQ (low, mid, high), seven-band graphic EQ (in Mixer mode), five user-programmable presets (Store and Recall settings), phantom power, visual monitoring of limiter status, input level control and meters, and master volume control to optimize gain structure.

Technical specifications

Frequency response (-3 dB) ¹ :	51 Hz to 20 KHz
Frequency range (-10 dB) ¹ :	45 Hz to 20 KHz
Maximum SPL ² :	123 dB
Coverage (H x V):	120° x 40°
Amplifier rating:	1000 W
LF channel rating:	500 W
HF channel rating:	500 W
Crossover frequency:	200 Hz
Connectors:	4x XLR/TRS Combo Jack Line / Mic Input 1x 1/4" TRS HI-Z input 2x XLR/TRS Combo Jack for Stereo Line Input 1x Stereo RCA Input 1x 3.5 mm Stereo Input 1x Wireless Stereo Bluetooth® Audio Input 1x 1/4" Foot Switch Input 1x XLR MIX OUT Output 1x XLR AUX OUT Output
Enclosure:	Sub: 15 mm plywood Column: Composite Pole: Aluminum
Grille:	Steel with black or white powder coat
Color:	Black or white

Dimensions (HxWxD): Sub: 448 x 332 x 432 (17.6 x 13.1 x 17)
mm (in)
Column: 620 x 95 x 157 (24.4 x 3.7 x 6.2)
Pole (2 pcs): 600 x 48 x 55 (23.6 x 1.9 x 2.2)

Net weight: Sub: 34.9 lb (15.8 kg)
Column: 6.0 lb (2.7 kg)
Pole (2 pcs): 3.1 lb (1.4 kg)
Bag for column and pole: 1.9 (0.85 kg)

Shipping weight: 53.4 lb (24.2 kg)

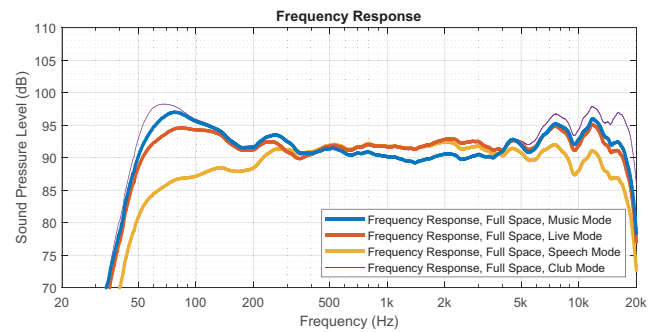
Power consumption³: 100-240 V AC, 50-60 Hz, 1.5-0.6 A

¹Half-space measurement using live DSP preset.

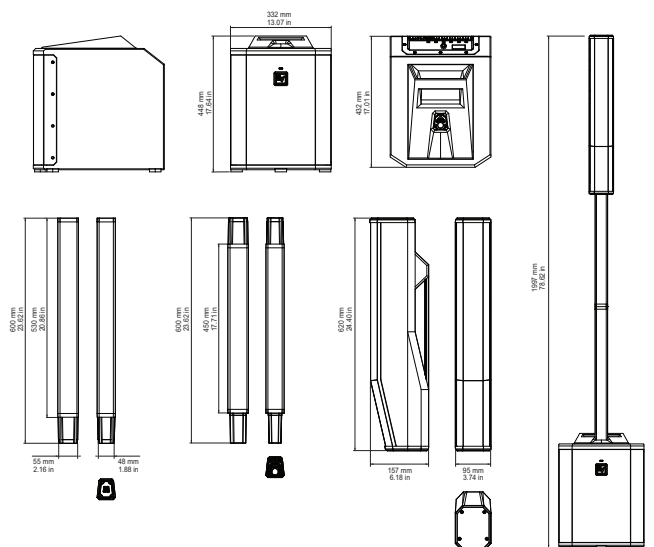
²Maximum SPL is measured at 1 m using broadband pink noise at maximum output.

³Current rating is 1/8 power.

Frequency response:



Dimensions:



Ordering information

EVOLVE30M-EU Portable column system, EU AP, black

EVOLVE-30M column subwoofer, EU AP, black
Order number **EVOLVE30M-EU**

EVOLVE30M-US Portable column system, US, black

EVOLVE-30M column subwoofer, US, black
Order number **EVOLVE30M-US**

EVOLVE30M-W Portable column system, global, white

EVOLVE-30M column subwoofer, global, white
Order number **EVOLVE30M-W**

Accessories

EVOLVE30M-CASE Carrying case for EVOLVE 30M system

Column speaker carrying case with wheels, black
Order number **EVOLVE30M-CASE**

EVOLVE30M-PL-B Replacement pole for EVOLVE 30M, black

Column speaker short pole, black
Order number **EVOLVE30M-PL-B**

EVOLVE30M-PL-W Replacement pole for EVOLVE 30M, white

Column speaker short pole, white
Order number **EVOLVE30M-PL-W**

EVOLVE30M-SUBCVR Soft cover for EVOLVE 30M sub

Cover for the EVOLVE-30M subwoofer, black
Order number **EVOLVE30M-SUBCVR**

Represented by:

Germany:

Bosch Sicherheitssysteme GmbH
Robert-Bosch-Ring 5
85630 Grasbrunn
Germany

Bosch Security Systems, Inc.
12000 Portland Avenue South
Burnsville MN 55337
USA

www.electrovoice.com