

7. SPECIFICATIONS

Model No.	BS-P1030B-AS	BS-P1030W-AS
Enclosure	2-way bass-reflex type	
Power Source	24V DC, 1.5A (DC Socket "+" Type A : 5.5 x 2.1mm)	
Power Consumption	30W (1.25A) at 4Ω, Rated output (Amp. only)	
Input	5kΩ, Unbalanced (RCA plug) Maximum input : +6dBV (2Vrms)	
Signal Gain	+30 dB	
Volume Adjustment	Volume control (Factory pre-set to middle position)	
Sound Pressure Level	90dB (1W, 1m)	
Frequency Response	80 Hz - 20 kHz	
Speaker Component	12 cm cone-type + dome type	
Speaker Cord	Length: 2m Flying Lead (RCA plug) & DC socket ("+")	
Operating Temperature	-10°C to +50°C	
Water Protection	IPX4 (can be installed horizontally or vertically)	
Finish	Enclosure : ABS resin, black, paint Net : Steel plate, black, powder coating Bracket : Steel plate, black, powder coating	Enclosure : ABS resin, white, paint Net : Steel plate, white, powder coating Bracket : Steel plate, white, powder coating
Dimensions	196 (W) x 290 (H) x 150 (D) mm (unit only)	
Weight	Approx. 2.5 kg (unit only)	
Accessories	Bracket ... 1, Bracket mounting screw ... 2, Bracket mounting washer ... 2	

Note: The design and specifications are subject to change without notice for improvement.

■ Optional

Bracket : SP-410
Stand : ST-16A



INSTRUCTION MANUAL

POWERED BOX SPEAKER

BS-P1030B-AS BS-P1030W-AS


Please follow the instructions in this manual to obtain the optimum results from this unit.

We also recommend that you keep this manual handy for future reference.


The BS-P1030 Series are 2-way bass-reflex speaker with a built-in 30W digital power amplifier, Speaker are small in size and feature the wide-band, high quality, makes the ideal for such applications as announcement and music reproduction.

1. SAFETY PRECAUTIONS


- Be sure to read the instructions in this section carefully before use.
- Make sure to observe the instructions in this manual as the conventions of safety symbols and messages regarded as very important precautions are included.
- We also recommend you keep this instruction manual handy for future reference.

 **WARNING** Indicates a potentially hazardous situation which, if mishandled, could result in death or serious personal injury.

- Use only the specified amplifier output voltage and impedance, as exceeding the specified limits could result in fire or other failures (high-impedance applications).
- To avoid accidental air explosions, do not use the unit around gasoline, thinner or other combustibles.
- Install the unit only in a location that can structurally support the weight of the unit and the mounting bracket. Doing otherwise may result in the unit falling down and causing personal injury and/or property damage.
- Do not use other methods than specified to mount the bracket. Extreme force is applied to the unit and the unit could fall off, possibly resulting in personal injuries.
- Use nuts and bolts that are appropriate for the ceiling's or wall's structure and composition. Failure to do so may cause the speaker to fall, resulting in material damage and possible personal injury.
- Tighten each nut and bolt securely. Ensure that the bracket has no loose joints after installation to prevent accidents that could result in personal injury.
- Attach the safety wire to the unit when mounting in locations high above the ground. Failure to do so could result in personal injury if the speaker should later fall for any reason.

 **WARNING** Indicates a potentially hazardous situation which, if mishandled, could result in death or serious personal injury.

- Avoid mounting the unit in locations exposed to constant vibration. The mounting bracket can be damaged by excessive vibration, potentially causing the speaker to fall, which could result in personal injury.

 **CAUTION** Indicates a potentially hazardous situation which, if mishandled, could result in moderate or minor personal injury, and/or property damage.

- To avoid electric shocks, be sure to switch off the amplifier power when connecting the speaker.
- Avoid installing the unit in humid or dusty locations, or in locations exposed to heaters, solvents, acid, alkali, smoke, or steam, as excessive exposure to these factors could result in the speaker falling off, electric shock or fire.
- Do not operate the unit for an extended period of time with the sound distorting. This is an indication of a malfunction, which in turn can cause heat to generate and result in a fire.
- Do not stand or sit on, nor hang down from the unit as this may cause it to fall down or drop, resulting in personal injury and/or property damage.
- Have the unit periodically checked by the shop from where it was purchased. Failure to do so could result in the speaker falling off due to damage or corrosion to the speaker or its mounts, and possible personal injury.

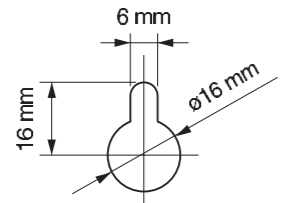
2. FEATURES

- The speaker's smoothly curved surface permits it to blend in with virtually all modern buildings.
- A splash-proof design enables the BS-P1030 to even be installed outdoors, in a location not directly exposed to the elements, such as under eaves.
- Mountable to wall surfaces directly or using with supplied or optional mounting brackets.

3. SPEAKER INSTALLATION

3.1. Wall Mounting - With Surface-Mount Screws

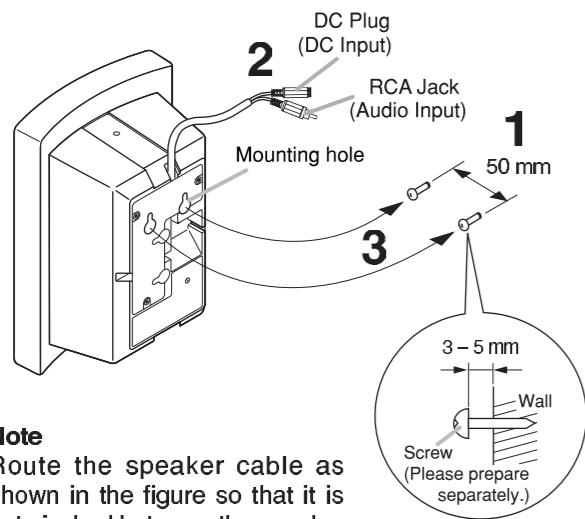
Note: The surface-mount screws are not supplied with the unit. Referring to the mounting hole's dimensional diagram below, prepare the correct type of screws appropriate to the wall material.



Step 1. Install two surface-mount screws in the wall 50 mm apart and leave them sticking out approximately 3 – 5 mm from the wall surface.

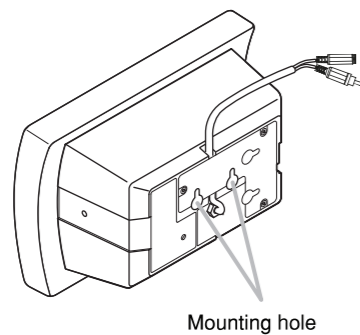
Step 2. Connect the DC plug to power supply DC 24V and connect RCA jack to audio source

Step 3. Place the speaker's rear panel mounting holes over the two installed screws to mount the speaker to the wall surface.



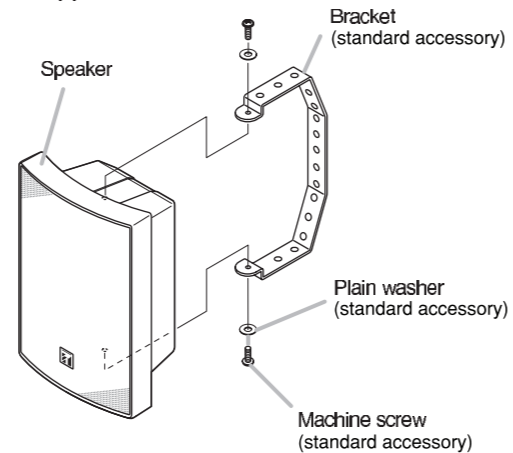
Note
Route the speaker cable as shown in the figure so that it is not pinched between the speaker and the wall surface.

Tip
When installing the speaker horizontally, use the relevant mounting holes shown below.



3.2. Wall Mounting - With Supplied Bracket

Step 1. Attach the bracket to the speaker using the supplied hardware.

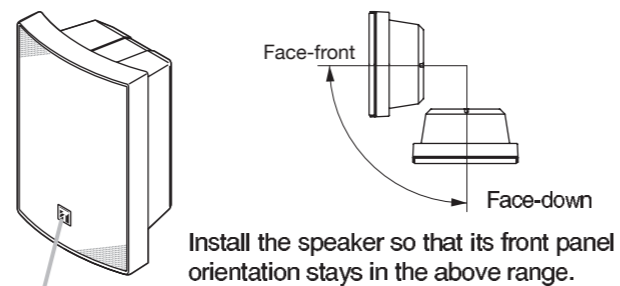


Step 2. Mount the speaker in the desired location using the mounting holes made in the bracket.

4. OUTDOOR INSTALLATION PRECAUTIONS

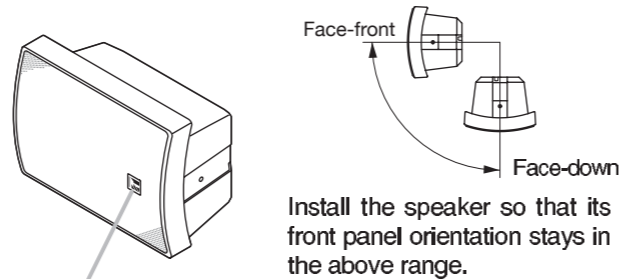
The speaker's splash-proof construction permits it to be installed outdoors, such as under eaves and other locations where the speaker is not directly exposed to the elements. However, because the splash-proof feature is strictly dependent on speaker orientation, follow the mounting instructions below.

4.1. Vertical Installation



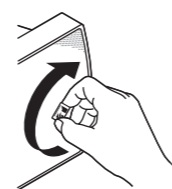
Install with the logo mark located at the bottom of the front panel.

4.2. Horizontal Installation



Install with the logo mark located at the right of the front panel as viewed from the front.

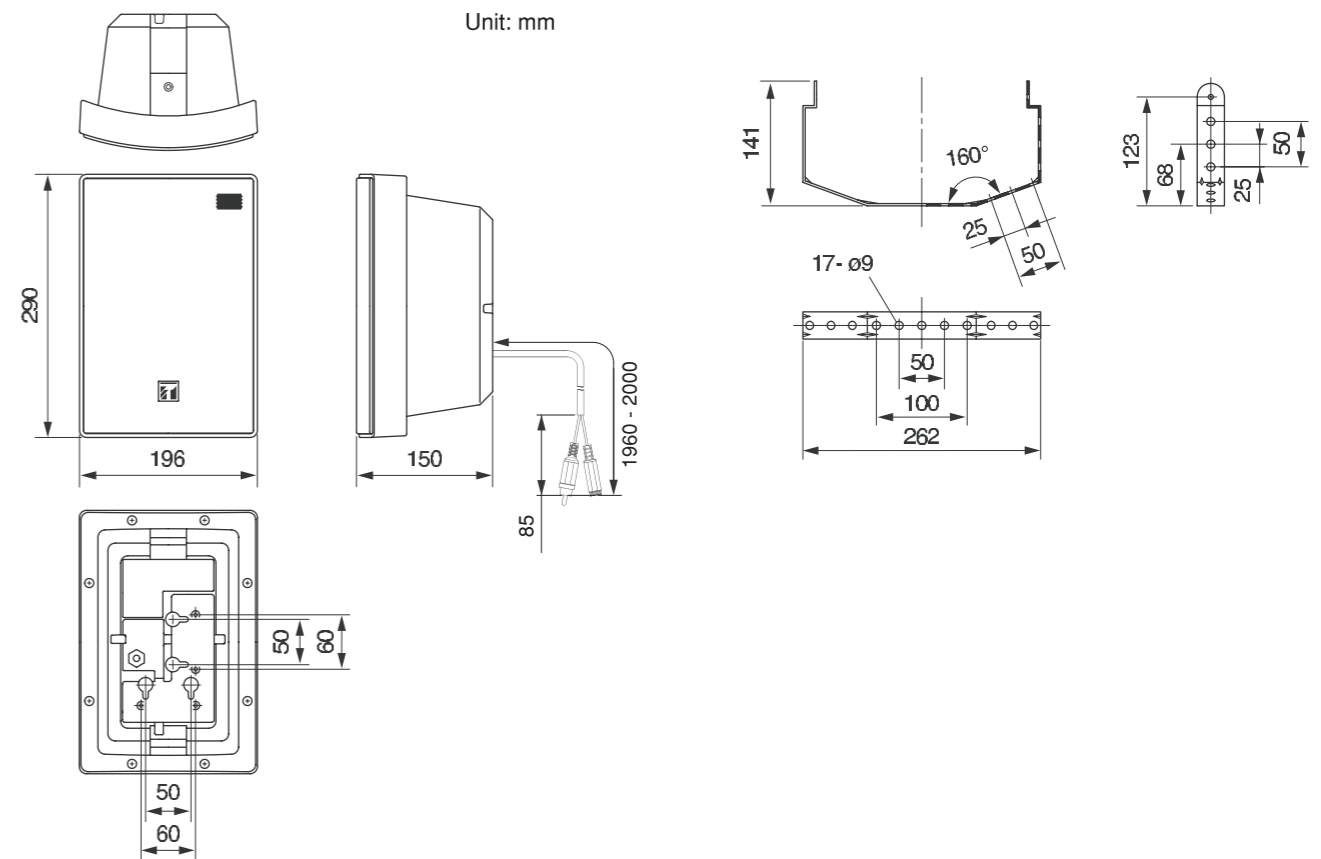
The logo mark can be changed to correct its orientation.



5. DIMENSIONAL DIAGRAM

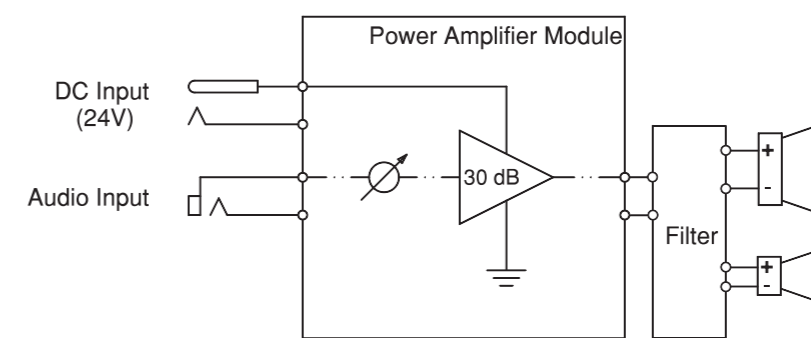
• Speaker

• Bracket (standard accessory)

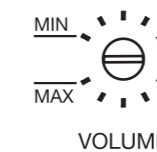


6. CONNECTION DIAGRAM

Shown below is a connection diagram when shipped from the factory.



* Factory setting pre-set :
- Volume control : middle position



To set volume level amplifier :
rotate clockwise for volume up
and anti-clockwise for volume down