

Overview

The CHR10 is a 2-way loudspeaker, equipped with a 10-inch woofer and a 1.4-inch HF driver, and perfect for use in fixed installations. Combining carefully selected and customized transducers with the same high-grade plywood construction found on Yamaha's high-end CZR Series, the CHR10 offers best-in-class sound quality and durability.



Features

- Featuring a plywood cabinet that delivers a clear sound with minimal vibration
- Plywood enclosure with a polyurea coating for a robust, scratch resistant surface
- Compact appearance thanks to the 10-inch LF driver that provides excellent low frequency response
- Can be installed in a horizontal or vertical configuration with a rotatable HF horn offering the flexibility needed for installation in a wide range of environments
- Optional UB-DXRDR10 U-bracket allows both for vertical or horizontal use
- A pole socket for use on a stand
- Rigging points for use with eye bolts
- Yamaha DSP equipped amplifiers or other compatible signal processors have dedicated speaker processor tuning settings to maximize system performance

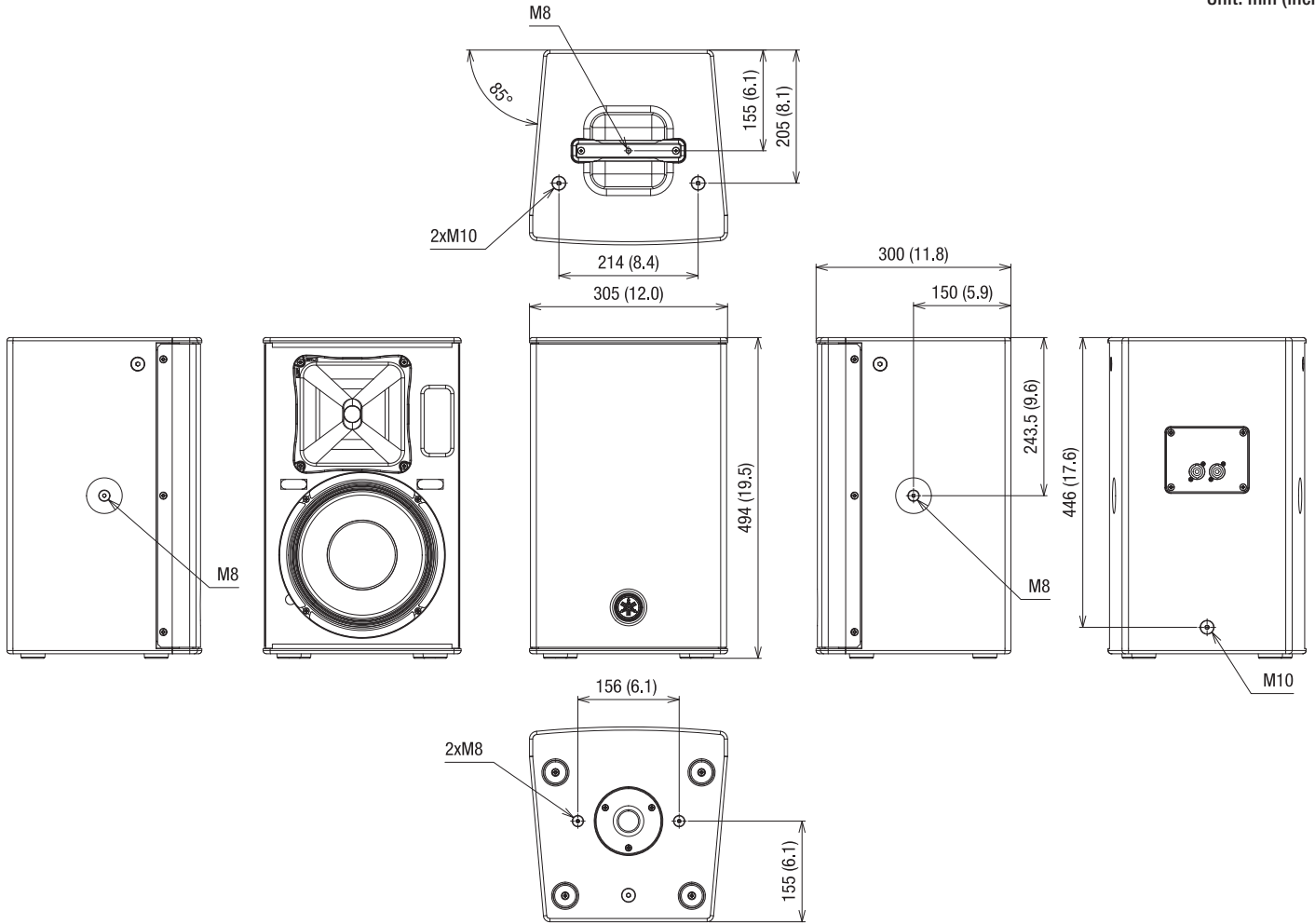
Specifications

General Specifications

System Type		2-way Speaker, Bass-reflex
Components	LF	Diameter: 10" cone, Voice Coil: 2", Magnet: Ferrite
	HF	Diaphragm: 1.4", Type: 1" throat compression driver, Magnet: Ferrite
Frequency Range (-10 dB)		55 Hz - 20 kHz
Crossover		2.5 kHz
Coverage Angle (Horizontal x Vertical)		H90° x V60° (Rotatable)
Nominal Impedance		8 Ω
SPL	Sensitivity (1 W; 1 m on axis)	93 dB SPL
	Peak (Calculated)	122 dB SPL
Power Rating	NOISE	175 W
	PGM	350 W
	PEAK	700 W
I/O Connectors		SpeakON NL4MP x 2 (Parallel)
Cabinet Material		Plywood
Finish		Durable Polyurea Painting, Black
Handle		Top x 1
Pole Socket		Ø35 mm x 1 (Bottom)
Rigging		Top x 2, Rear x 1 (Fit for M10 x 30 - 50 mm Eyebolts)
Floor Monitor Angle		-
Dimensions (W x H x D) (with rubber feet)		305 mm x 494 mm x 300 mm (12.0" x 19.5" x 11.8")
Net Weight		13.7 kg (30.2 lbs)

Dimensions

Unit: mm (inch)



Options

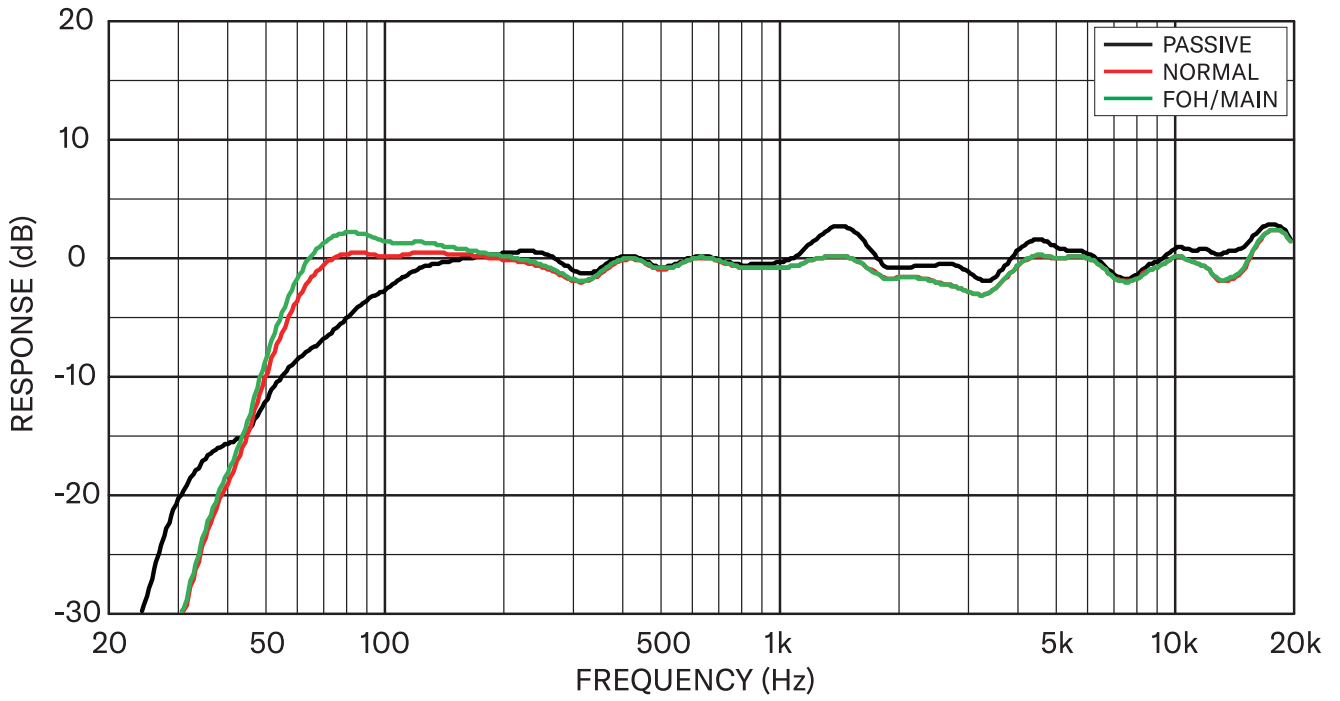
- U-Brackets UB-DXRDR10

Architectural and Engineering Specifications

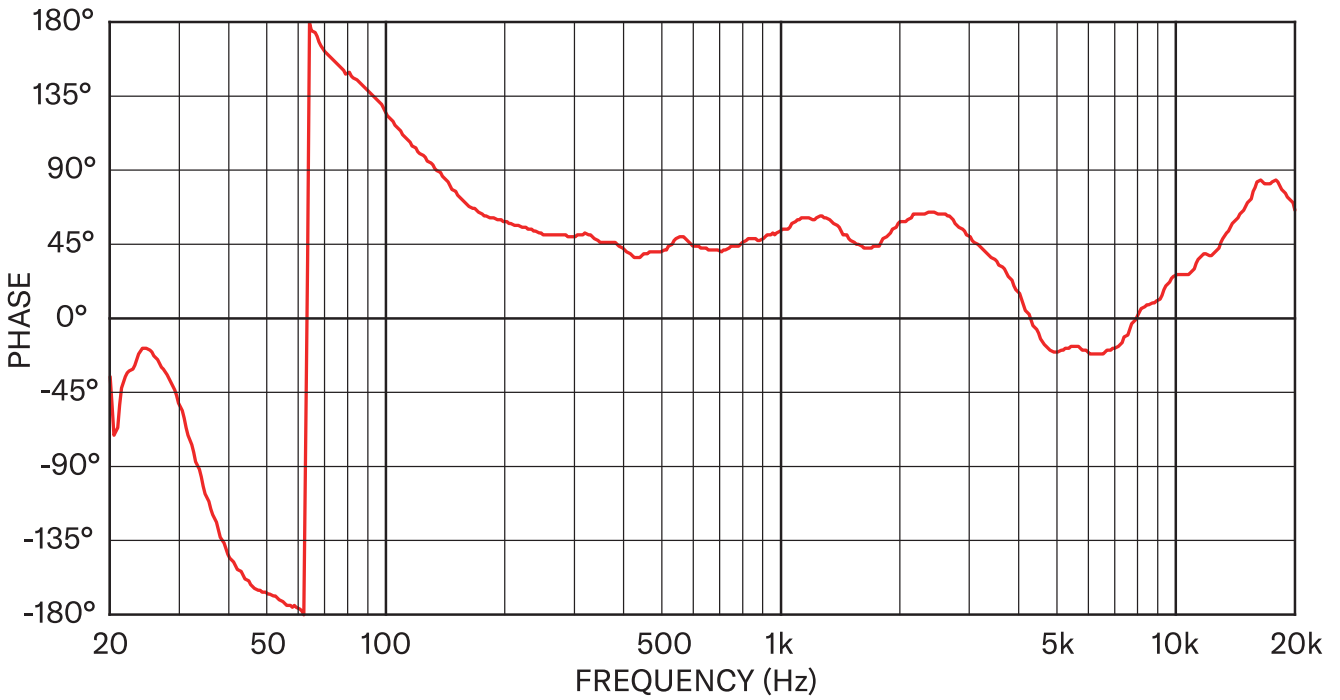
The Yamaha CHR10 Speaker System shall be a two-way bass-reflex type full-range loudspeaker system having a single 10" cone driver with a 2" voice coil for the low frequencies and a 1.4" compression driver for the high frequencies. The CHR15 Loudspeaker shall meet the following performance criteria: Sensitivity shall be 93 dB SPL at 1 watt/1 meter, maximum SPL shall be 122 dB at 1 meter, frequency response shall be 55 Hz to 20 kHz at 10 dB below rated sensitivity, crossover frequency shall be 2.5 kHz, and nominal coverage angle shall be 90° horizontal and 60° vertical via a rotatable constant directivity horn. Maximum power ratings shall be 175 watts noise, 350 watts program, and 700 watts peak into 8 ohms.

The loudspeaker shall have two parallel connected SPEAKON (Neutrik NL4) connectors for input. The cabinet shall be constructed of wood with a durable black Polyurea coating. The cabinet shall have one top handle, threaded mounting points for M10 eyebolts (top x 2, rear x 1), and M8 screw holes for installation of an optional U-bracket for direct ceiling or wall mounting. One 35 mm pole socket shall be provided for convenient pole mounting. Dimensions shall be 305 (W) x 494 (H) x 300 (D) mm. Weight shall be 13.7 kg.

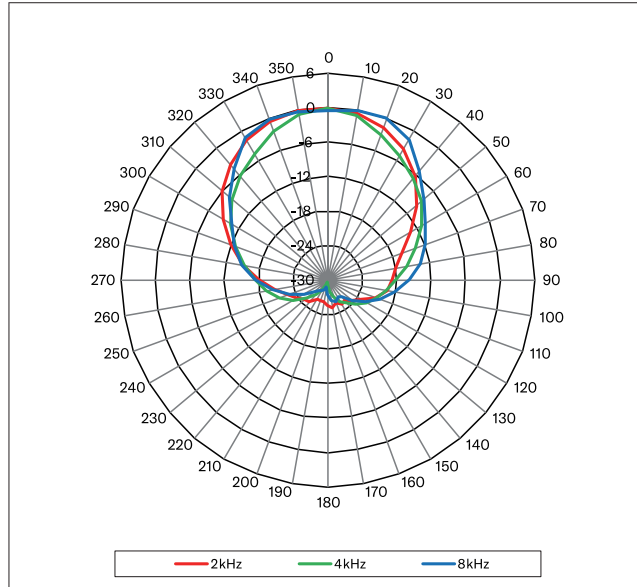
Frequency Response



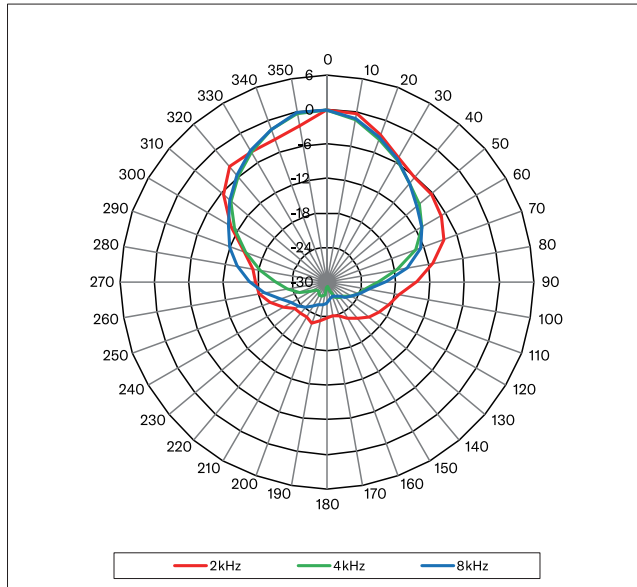
Phase Response



Horizontal Polar Plots



Vertical Polar Plots



*All information subject to change without notice.

*All trademarks and registered trademarks are property of their respective owners.

Created in April, 2022