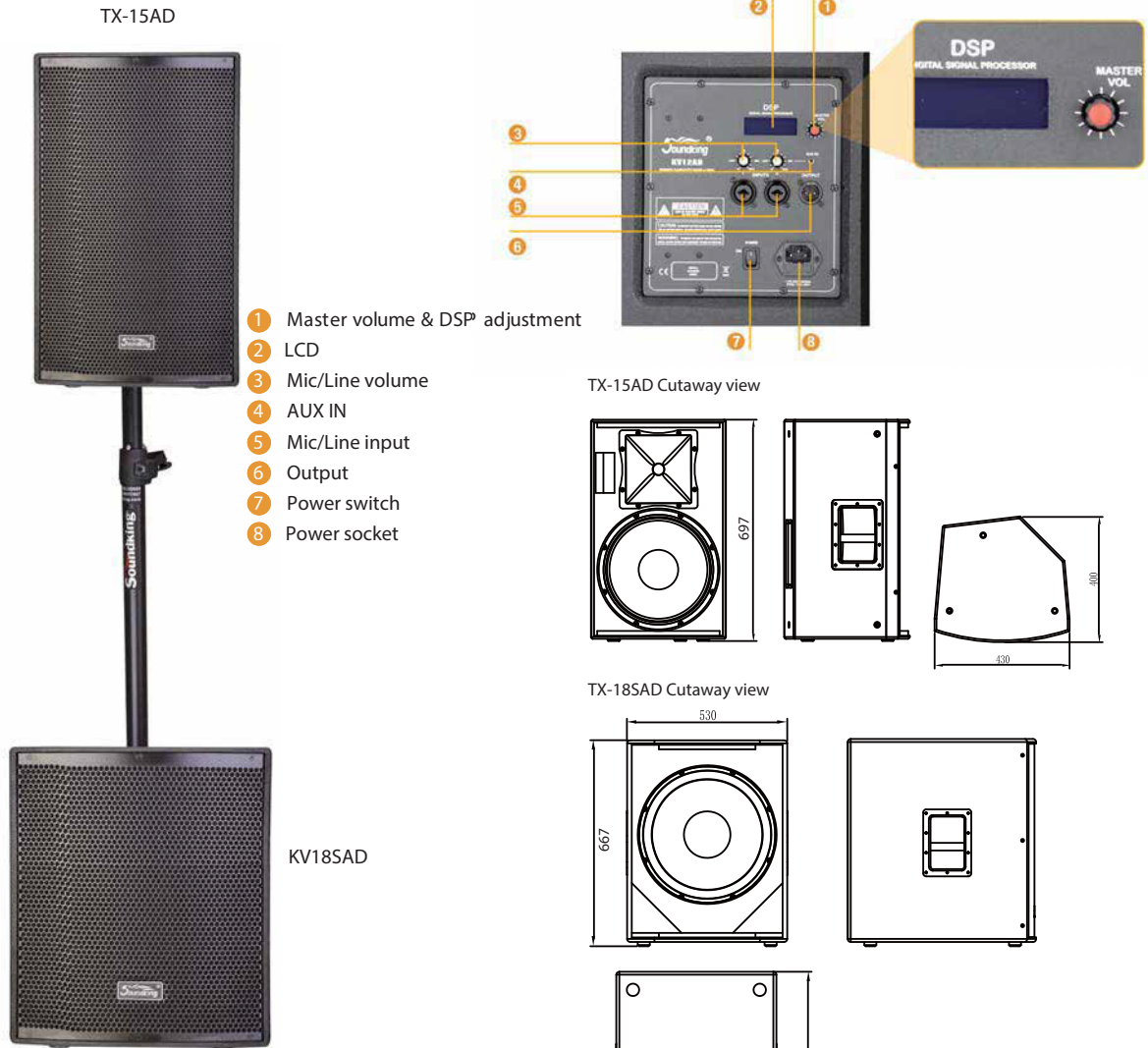
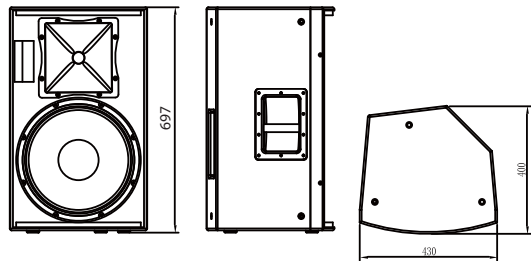


Compact Portable Active Speaker Cabinet(with DSP)

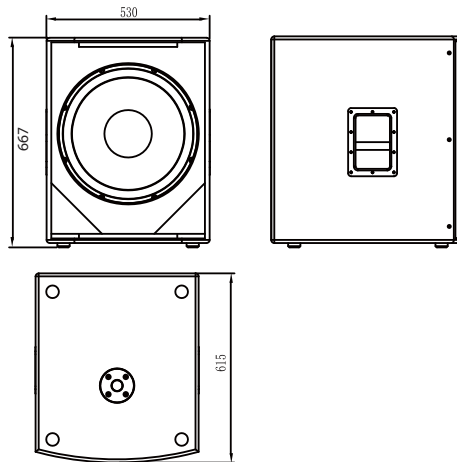


- 1 Master volume & DSP adjustment
- 2 LCD
- 3 Mic/Line volume
- 4 AUX IN
- 5 Mic/Line input
- 6 Output
- 7 Power switch
- 8 Power socket

TX-15AD Cutaway view



TX-18SAD Cutaway view



Model	TX-15AD
Type	15 inch 2 way active speaker cabinet (DSP)
Frequency response	65Hz~18kHz (-3dB) 45Hz~20kHz (-10dB)
Input sensitivity	LINE:0dBu MIC:-40dBu
Max SPL	128dB(Peak)
AMP power	350W+50W
LF unit	15" woofer/ Φ63.5mm voice coil
HF unit	compression driver / Φ34mm voice coil
Coverage (H*V)	80°x 60°
Crossover	2.3kHz
Input connection(H*V)	2xXLR/Jack combo input,3.5mm jack:XLR LINK output
Input voltage	100~240V
Suspension	12*M10 flying points+ Φ35
Dimension(WxHxD)	430*697*400mm
Weight(gross)	20.8/25.4kg

Model	TX-18SAD
Type	18inch active speaker cabinet (DSP)
Frequency response	45Hz~100Hz (-3dB) 35Hz~150Hz (-10dB)
Input sensitivity	LINE: 0dBu
Max SPL	130dB (Peak)
Amp power	600W
LF unit	18" subwoofer
Input connection	2 Balanced XLR in and 2 Balanced XLR out
Input voltage	115V/230V
Suspension	Φ35
Dimension(WxHxD)	530*667*615mm
Weight(gross)	35.1/42 kg