



# Evolution Wireless Digital



Embrace the power of a digital UHF system, ready for any RF environment. Evolution Wireless Digital raises the bar by providing the highest dynamic range of any wireless system currently on the market, utilizing advanced features that simplify your setup and guarantee the most reliable connection. Maximize efficiency by taking full control with the Sennheiser Smart Assist app and automatically coordinate frequencies with ease. Increased bandwidth and the lowest latency of any digital wireless system currently available make Evolution Wireless Digital the most powerful tool for those who put quality and performance above all else.

## FEATURES

- Digital transmission operating in the UHF spectrum greatly enhances range, reliability and scalability
- Smart Assist App connects via Bluetooth Low Energy for a streamlined setup and operation at a distance
- Auto scan creates reliable connections with minimal time and effort
- 134 dB audio input dynamic range eliminates need for sensitivity adjustments and preserves every detail
- Elimination of intermodulation enables channels to be placed in an equidistant tuning grid 600 kHz apart
- Up to 56 MHz of tuning bandwidth and equidistant spacing enables up to 90 channels
- Up to 2,240 selectable frequencies
- Transmission range: up to 100 m in an ideal environment (without obstacles)
- Lithium-Ion battery pack (sold separately) delivers up to 12 hours of operation (up to 8 hours of operation with 2x provided AA batteries)

For more information on the Evolution Wireless Digital series please refer to the Evolution Wireless Digital product page at:

[www.sennheiser.com/ew-d](http://www.sennheiser.com/ew-d)

## SYSTEM COMPONENTS

- EW-D EM rack receiver
- EW-D SKM-S handheld transmitter
- EW-D SK bodypack transmitter

## AVAILABLE SETS

### EW-D ME2 SET | Lavalier Set

- includes: EW-D EM / EW-D SK / ME 2 microphone

### EW-D ME3 SET | Headmic Set

- includes: EW-D EM / EW-D SK / ME 3 microphone

### EW-D ME4 SET | Lavalier Set

- includes: EW-D EM / EW-D SK / ME 4 microphone

### EW-D CI1 SET | Instrument Set

- includes: EW-D EM / EW-D SK / CI 1 cable

### EW-D SK BASE SET | Base Set

- includes: EW-D EM / EW-D SK

### EW-D 835-S SET | Handheld Set

- includes: EW-D EM / EW-D SKM-S / MMD 835 microphone module

### EW-D SKM-S BASE SET | Base Set

- includes: EW-D EM / EW-D SKM-S

### EW-D ME2/835-S SET | Combo Set

- includes: EW-D EM / EW-D SK / ME 2 microphone / EW-D SKM-S / MMD 835 microphone module



# Evolution Wireless Digital

## MICROPHONE COMPATIBILITY

### Microphone modules compatible with the EW-D SKM-S handheld transmitter

<b>MMD 835-1</b>	Dynamic microphone module with cardioid polar pattern
<b>MMD 845-1</b>	Dynamic microphone module with supercardioid polar pattern
<b>MME 865-1</b>	Pre-polarized condenser microphone module with supercardioid polar pattern
<b>MMD 935-1</b>	Dynamic microphone module with cardioid polar pattern
<b>MMD 945-1</b>	Dynamic microphone module with supercardioid polar pattern
<b>MMK 965-1</b>	Condenser microphone module with switchable cardioid and supercardioid polar pattern
<b>MMD 42-1</b>	Dynamic microphone module with omni-directional polar pattern
<b>Neumann KK 204</b>	Condenser microphone module with cardioid polar pattern
<b>Neumann KK 205</b>	Condenser microphone module with supercardioid polar pattern
<b>MM 435</b>	Dynamic microphone module with cardioid polar pattern
<b>MM 445</b>	Dynamic microphone module with supercardioid polar pattern
<b>ME 9002</b>	Pre-polarized condenser microphone module with omni-directional polar pattern
<b>ME 9004</b>	Pre-polarized condenser microphone module with cardioid polar pattern
<b>ME 9005</b>	Pre-polarized condenser microphone module with supercardioid polar pattern

### Lavalier and headset microphones compatible with the EW-D SK bodypack transmitter

<b>ME 2</b>	Omni-directional lavalier microphone Models produced from 2021 onward, featuring a gold-plated connector*
<b>ME 4</b>	Cardioid lavalier microphone Models produced from 2021 onward, featuring a gold-plated connector*
<b>MKE Essential Omni</b>	Omni-directional lavalier microphone
<b>MKE 2 Gold</b>	Omni-directional lavalier microphone Models produced from 2018 onward, featuring a blue serial number plate
<b>MKE 1</b>	Omni-directional lavalier microphone
<b>ME 3</b>	Cardioid headset microphone Models produced from 2021 onward, featuring a gold-plated connector*
<b>HSP Essential Omni</b>	Omni-directional headset microphone
<b>HSP 2</b>	Omni-directional headset microphone Models produced from March 2020 onward (featuring code 1090 or later)
<b>HS 2</b>	Omni-directional headset microphone Models produced from 2021 onward, featuring a gold-plated connector*
<b>SL Headmic 1</b>	Omni-directional headset microphone

\* Models produced prior to 2021 will feature a nickel connector. Earlier models may pick up noise when placed close to the transmitter and are not recommended for use



# Evolution Wireless Digital

## SPECIFICATIONS

### System

Audio link frequency ranges	Q1-6 470.2 – 526 MHz R1-6 520 – 576 MHz R4-9 552 – 607.8 MHz S1-7 606.2 – 662 MHz S4-7 630 – 662 MHz S7-10 662 – 693.8 MHz U1/5 823.2 – 831.8 MHz & 863.2 – 864.8 MHz V3-4 925.2 – 937.3 MHz Y1-3 1785.2 – 1799.8 MHz
Bluetooth® Low Energy (BLE) frequency range	2402 – 2480 MHz
Audio frequency response	20 Hz – 20 kHz (-3 dB) @ 3 dBfs
Audio THD	≤ -60 dB for 1 kHz @ -3 dBfs input level
Dynamic range	134 dB
System latency	1.9 ms
Operating temperature	-10 °C – +55 °C (14 °F – 131 °F)
Relative humidity	5 – 95 % (non-condensing)

### EW-D EM (Rack Receiver)

Input voltage	11 – 13 V $\overline{\text{ac}}$
Input current	≤ 300 mA
Transmit power (radiated)	BLE: max. 10 mW EIRP
Audio output power	18 dBu max.
Dimensions	212 x 44 x 189 mm (8.35" x 1.73" x 7.44")
Weight (without antennas and power supply)	approx. 1000 g (2.2 lbs)

### EW-D SKM-S (Handheld Transmitter)

Input voltage	2.0 – 4.35 V
Input current	< 300 mA
Power supply	2 AA batteries 1.5 V (alkali manganese) or BA 70 rechargeable battery pack
Occupied bandwidth	200 kHz
Transmit power (radiated)	Audio link: 10 mW ERP (Range Y1-3: 12 mW ERP) BLE: max. 10 mW EIRP
Dimensions (ø x l) (incl. MMD 835 microphone module)	50 x 268 mm (1.97" x 10.55")
(without microphone module)	40 x 200 mm (1.57" x 7.87")
Weight (without batteries) (incl. MMD 835 microphone module)	approx. 304 g (0.67 lbs)
(without microphone module)	approx. 195 g (7.14 lbs)

### EW-D SK (Bodypack Transmitter)

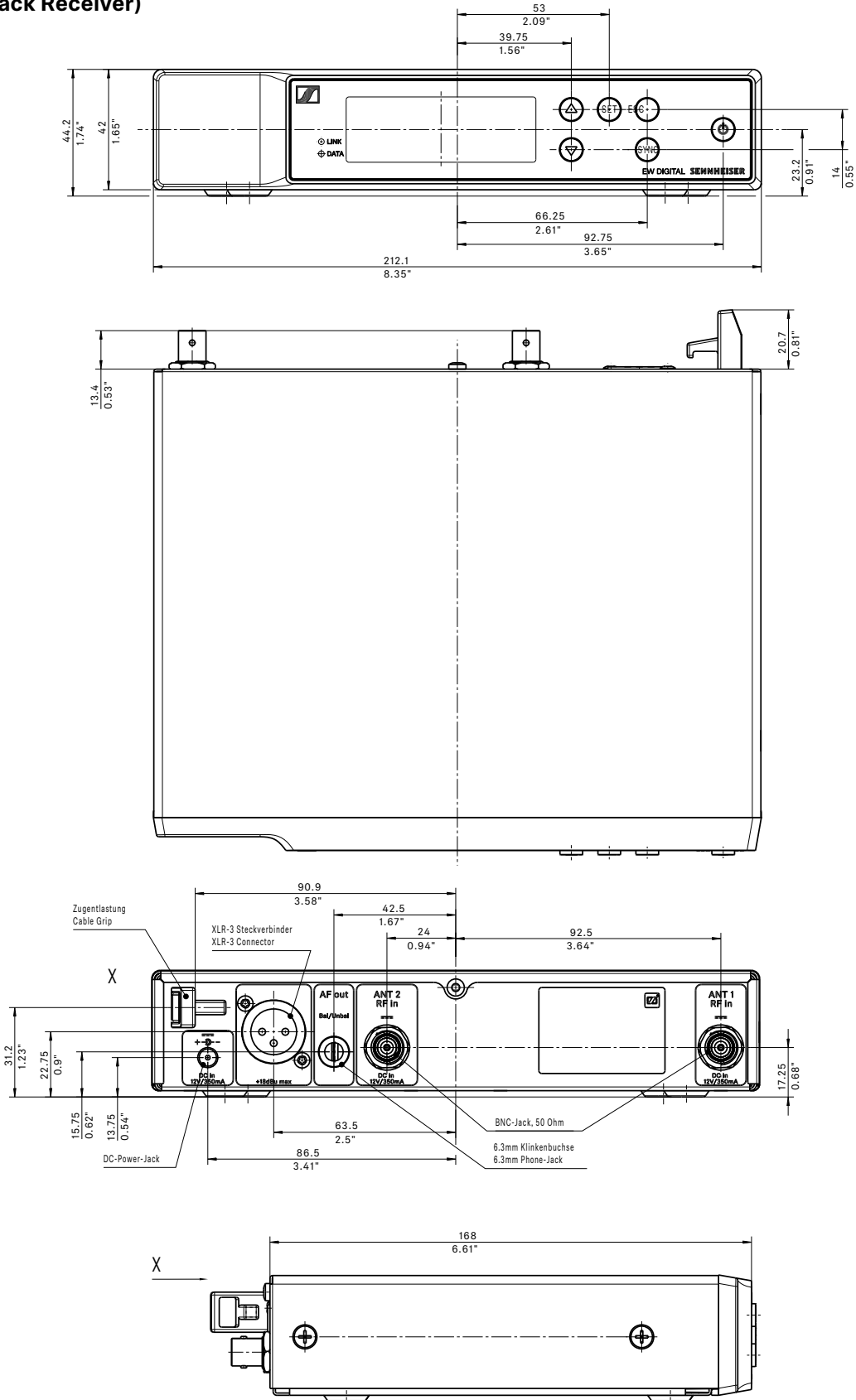
Input voltage	2.0 – 4.35 V
Input current	< 300 mA
Power supply	2 AA batteries 1.5 V (alkali manganese) or BA 70 rechargeable battery pack
Occupied bandwidth	200 kHz
Transmit power (radiated)	Audio link: 10 mW ERP (Range Y1-3: 12 mW ERP) BLE: max. 10 mW EIRP
Dimensions (without antenna)	63 x 80 x 20 mm (2.48" x 3.15" x 0.79")
Weight (without batteries)	approx. 120 g (0.26 lbs)



# Evolution Wireless Digital

## DIMENSIONS

### EW-D EM (Rack Receiver)

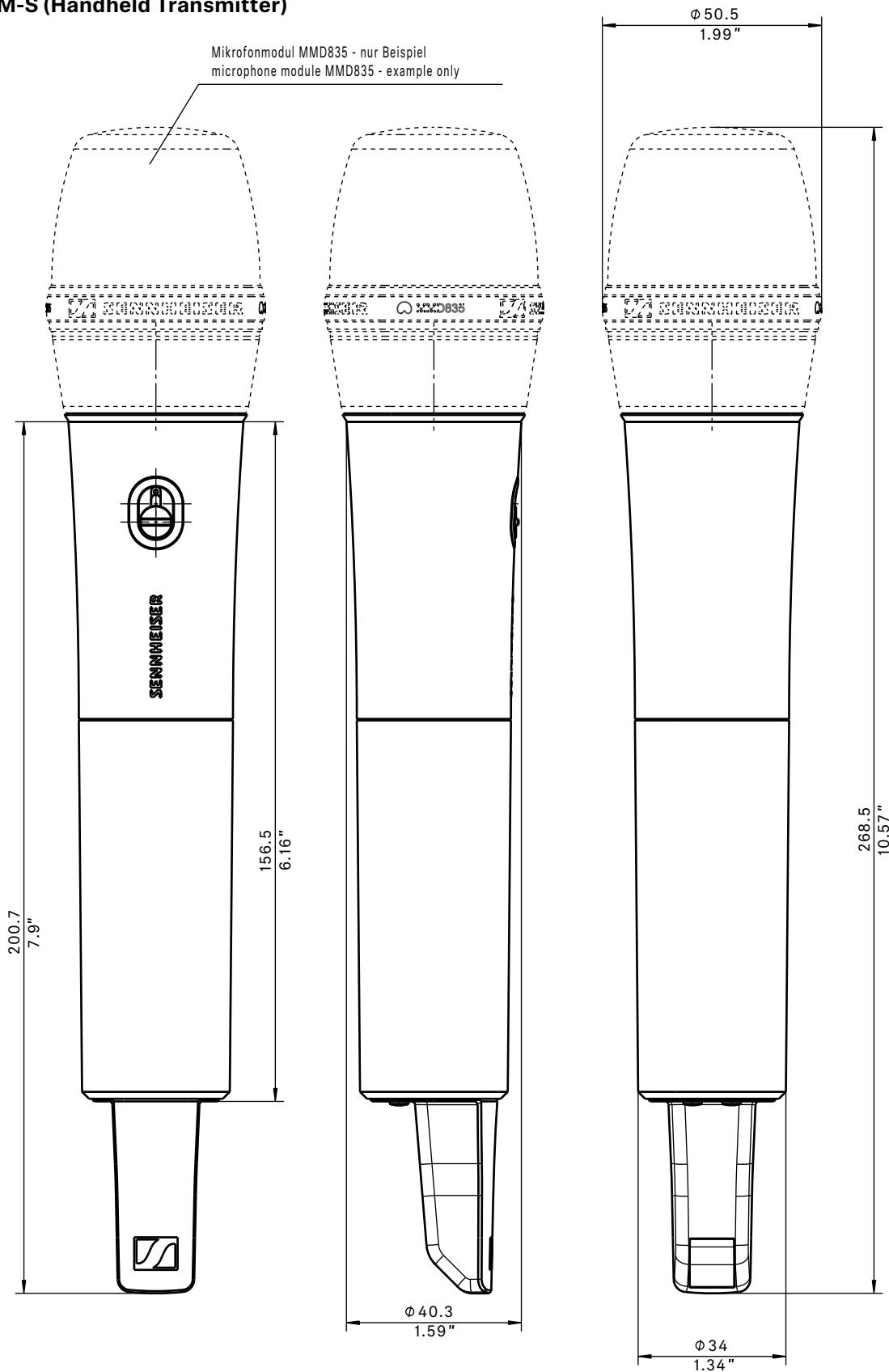




# Evolution Wireless Digital

## DIMENSIONS

### EW-D SKM-S (Handheld Transmitter)



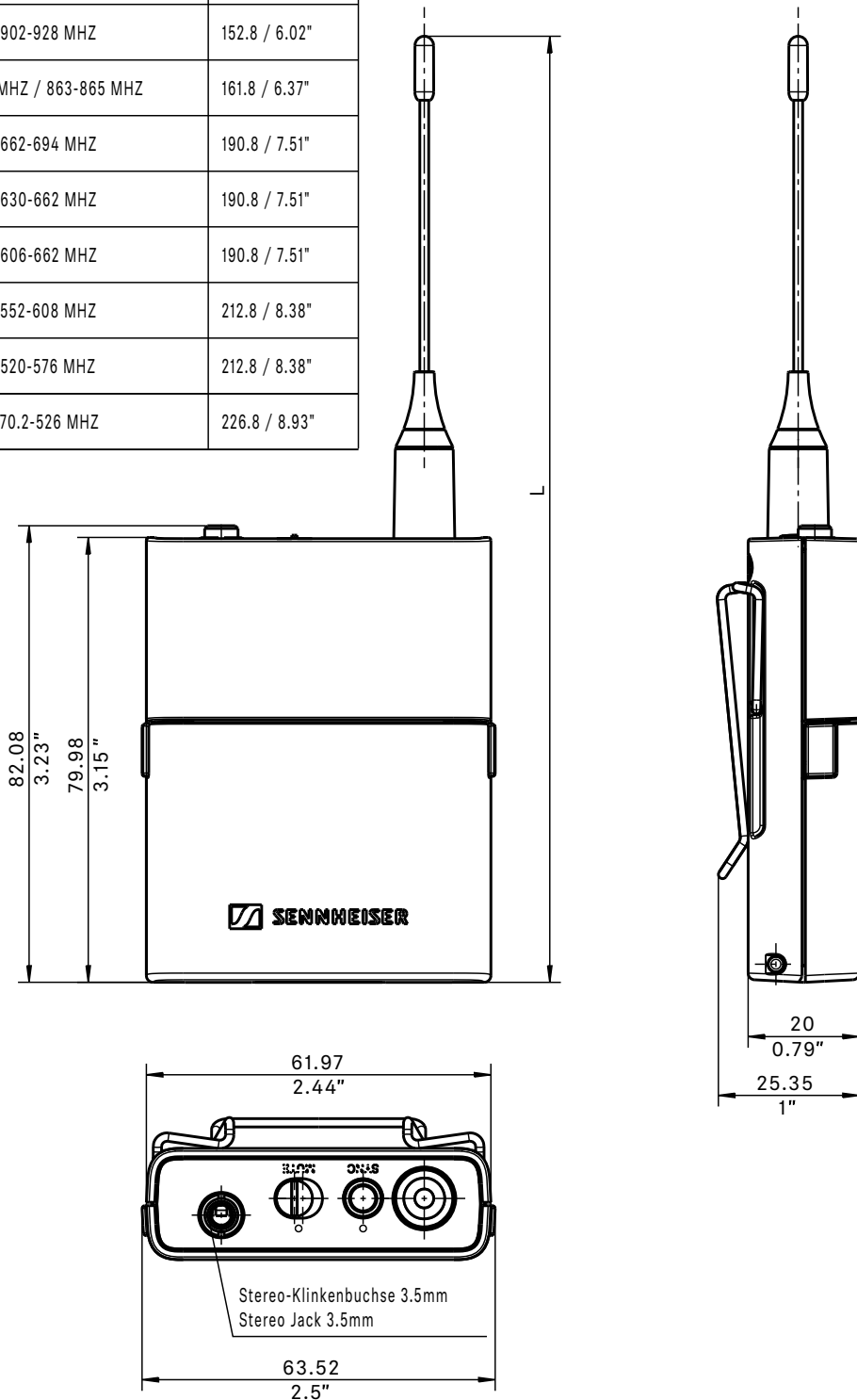


# Evolution Wireless Digital

## DIMENSIONS

### EW-D SK (Bodypack Transmitter)

Frequenzbereich Frequency range	L
1785-1805 MHz	198.8 / 7.83"
925-937.5 MHz	152.8 / 6.02"
902-928 MHz	152.8 / 6.02"
823-832 MHz / 863-865 MHz	161.8 / 6.37"
662-694 MHz	190.8 / 7.51"
630-662 MHz	190.8 / 7.51"
606-662 MHz	190.8 / 7.51"
552-608 MHz	212.8 / 8.38"
520-576 MHz	212.8 / 8.38"
470.2-526 MHz	226.8 / 8.93"





# Evolution Wireless Digital

## PRODUCT VARIANTS

<b>EW-D EM (Q1-6)</b>	470.2 - 526 MHz	Art. no. 508800
<b>EW-D EM (R1-6)</b>	520 - 576 MHz	Art. no. 508801
<b>EW-D EM (R4-9)</b>	552 - 607.8 MHz	Art. no. 508802
<b>EW-D EM (S1-7)</b>	606.2 - 662 MHz	Art. no. 508803
<b>EW-D EM (S4-7)</b>	630 - 662 MHz	Art. no. 508804
<b>EW-D EM (S7-10)</b>	662 - 693.8 MHz	Art. no. 508805
<b>EW-D EM (U1/5)</b>	823.2 - 831.8 MHz & 863.2 - 864.8 MHz	Art. no. 508806
<b>EW-D EM (V3-4)</b>	925.2 - 937.3 MHz	Art. no. 508808
<b>EW-D EM (Y1-3)</b>	1785.2 - 1799.8 MHz	Art. no. 508809
<b>EW-D SKM-S (Q1-6)</b>	470.2 - 526 MHz	Art. no. 508790
<b>EW-D SKM-S (R1-6)</b>	520 - 576 MHz	Art. no. 508791
<b>EW-D SKM-S (R4-9)</b>	552 - 607.8 MHz	Art. no. 508792
<b>EW-D SKM-S (S1-7)</b>	606.2 - 662 MHz	Art. no. 508793
<b>EW-D SKM-S (S4-7)</b>	630 - 662 MHz	Art. no. 508794
<b>EW-D SKM-S (S7-10)</b>	662 - 693.8 MHz	Art. no. 508795
<b>EW-D SKM-S (U1/5)</b>	823.2 - 831.8 MHz & 863.2 - 864.8 MHz	Art. no. 508796
<b>EW-D SKM-S (V3-4)</b>	925.2 - 937.3 MHz	Art. no. 508798
<b>EW-D SKM-S (Y1-3)</b>	1785.2 - 1799.8 MHz	Art. no. 508799
<b>EW-D SK (Q1-6)</b>	470.2 - 526 MHz	Art. no. 508780
<b>EW-D SK (R1-6)</b>	520 - 576 MHz	Art. no. 508781
<b>EW-D SK (R4-9)</b>	552 - 607.8 MHz	Art. no. 508782
<b>EW-D SK (S1-7)</b>	606.2 - 662 MHz	Art. no. 508783
<b>EW-D SK (S4-7)</b>	630 - 662 MHz	Art. no. 508784
<b>EW-D SK (S7-10)</b>	662 - 693.8 MHz	Art. no. 508785
<b>EW-D SK (U1/5)</b>	823.2 - 831.8 MHz & 863.2 - 864.8 MHz	Art. no. 508786
<b>EW-D SK (V3-4)</b>	925.2 - 937.3 MHz	Art. no. 508788
<b>EW-D SK (Y1-3)</b>	1785.2 - 1799.8 MHz	Art. no. 508789
<b>EW-D ME2 SET (Q1-6)</b>	470.2 - 526 MHz	Art. no. 508700
<b>EW-D ME2 SET (R1-6)</b>	520 - 576 MHz	Art. no. 508701
<b>EW-D ME2 SET (R4-9)</b>	552 - 607.8 MHz	Art. no. 508702
<b>EW-D ME2 SET (S1-7)</b>	606.2 - 662 MHz	Art. no. 508703
<b>EW-D ME2 SET (S4-7)</b>	630 - 662 MHz	Art. no. 508704
<b>EW-D ME2 SET (S7-10)</b>	662 - 693.8 MHz	Art. no. 508705
<b>EW-D ME2 SET (U1/5)</b>	823.2 - 831.8 MHz & 863.2 - 864.8 MHz	Art. no. 508706
<b>EW-D ME2 SET (V3-4)</b>	925.2 - 937.3 MHz	Art. no. 508708
<b>EW-D ME2 SET (Y1-3)</b>	1785.2 - 1799.8 MHz	Art. no. 508709



## Evolution Wireless Digital

<b>EW-D ME3 SET (Q1-6)</b>	470.2 - 526 MHz	Art. no. 508710
<b>EW-D ME3 SET (R1-6)</b>	520 - 576 MHz	Art. no. 508711
<b>EW-D ME3 SET (R4-9)</b>	552 - 607.8 MHz	Art. no. 508712
<b>EW-D ME3 SET (S1-7)</b>	606.2 - 662 MHz	Art. no. 508713
<b>EW-D ME3 SET (S4-7)</b>	630 - 662 MHz	Art. no. 508714
<b>EW-D ME3 SET (S7-10)</b>	662 - 693.8 MHz	Art. no. 508715
<b>EW-D ME3 SET (U1/5)</b>	823.2 - 831.8 MHz & 863.2 - 864.8 MHz	Art. no. 508716
<b>EW-D ME3 SET (V3-4)</b>	925.2 - 937.3 MHz	Art. no. 508718
<b>EW-D ME3 SET (Y1-3)</b>	1785.2 - 1799.8 MHz	Art. no. 508719
<b>EW-D ME4 SET (Q1-6)</b>	470.2 - 526 MHz	Art. no. 508720
<b>EW-D ME4 SET (R1-6)</b>	520 - 576 MHz	Art. no. 508721
<b>EW-D ME4 SET (R4-9)</b>	552 - 607.8 MHz	Art. no. 508722
<b>EW-D ME4 SET (S1-7)</b>	606.2 - 662 MHz	Art. no. 508723
<b>EW-D ME4 SET (S4-7)</b>	630 - 662 MHz	Art. no. 508724
<b>EW-D ME4 SET (S7-10)</b>	662 - 693.8 MHz	Art. no. 508725
<b>EW-D ME4 SET (U1/5)</b>	823.2 - 831.8 MHz & 863.2 - 864.8 MHz	Art. no. 508726
<b>EW-D ME4 SET (V3-4)</b>	925.2 - 937.3 MHz	Art. no. 508728
<b>EW-D ME4 SET (Y1-3)</b>	1785.2 - 1799.8 MHz	Art. no. 508729
<b>EW-D C11 SET (Q1-6)</b>	470.2 - 526 MHz	Art. no. 508730
<b>EW-D C11 SET (R1-6)</b>	520 - 576 MHz	Art. no. 508731
<b>EW-D C11 SET (R4-9)</b>	552 - 607.8 MHz	Art. no. 508732
<b>EW-D C11 SET (S1-7)</b>	606.2 - 662 MHz	Art. no. 508733
<b>EW-D C11 SET (S4-7)</b>	630 - 662 MHz	Art. no. 508734
<b>EW-D C11 SET (S7-10)</b>	662 - 693.8 MHz	Art. no. 508735
<b>EW-D C11 SET (U1/5)</b>	823.2 - 831.8 MHz & 863.2 - 864.8 MHz	Art. no. 508736
<b>EW-D C11 SET (V3-4)</b>	925.2 - 937.3 MHz	Art. no. 508738
<b>EW-D C11 SET (Y1-3)</b>	1785.2 - 1799.8 MHz	Art. no. 508739
<b>EW-D SK BASE SET (Q1-6)</b>	470.2 - 526 MHz	Art. no. 508740
<b>EW-D SK BASE SET (R1-6)</b>	520 - 576 MHz	Art. no. 508741
<b>EW-D SK BASE SET (R4-9)</b>	552 - 607.8 MHz	Art. no. 508742
<b>EW-D SK BASE SET (S1-7)</b>	606.2 - 662 MHz	Art. no. 508743
<b>EW-D SK BASE SET (S4-7)</b>	630 - 662 MHz	Art. no. 508744
<b>EW-D SK BASE SET (S7-10)</b>	662 - 693.8 MHz	Art. no. 508745
<b>EW-D SK BASE SET (U1/5)</b>	823.2 - 831.8 MHz & 863.2 - 864.8 MHz	Art. no. 508746
<b>EW-D SK BASE SET (V3-4)</b>	925.2 - 937.3 MHz	Art. no. 508748
<b>EW-D SK BASE SET (Y1-3)</b>	1785.2 - 1799.8 MHz	Art. no. 508749





## Evolution Wireless Digital

<b>EW-D 835-S SET (Q1-6)</b>	470.2 - 526 MHz	Art. no. 508750
<b>EW-D 835-S SET (R1-6)</b>	520 - 576 MHz	Art. no. 508751
<b>EW-D 835-S SET (R4-9)</b>	552 - 607.8 MHz	Art. no. 508752
<b>EW-D 835-S SET (S1-7)</b>	606.2 - 662 MHz	Art. no. 508753
<b>EW-D 835-S SET (S4-7)</b>	630 - 662 MHz	Art. no. 508754
<b>EW-D 835-S SET (S7-10)</b>	662 - 693.8 MHz	Art. no. 508755
<b>EW-D 835-S SET (U1/5)</b>	823.2 - 831.8 MHz & 863.2 - 864.8 MHz	Art. no. 508756
<b>EW-D 835-S SET (V3-4)</b>	925.2 - 937.3 MHz	Art. no. 508758
<b>EW-D 835-S SET (Y1-3)</b>	1785.2 - 1799.8 MHz	Art. no. 508759
<b>EW-D SKM-S BASE SET (Q1-6)</b>	470.2 - 526 MHz	Art. no. 508760
<b>EW-D SKM-S BASE SET (R1-6)</b>	520 - 576 MHz	Art. no. 508761
<b>EW-D SKM-S BASE SET (R4-9)</b>	552 - 607.8 MHz	Art. no. 508762
<b>EW-D SKM-S BASE SET (S1-7)</b>	606.2 - 662 MHz	Art. no. 508763
<b>EW-D SKM-S BASE SET (S4-7)</b>	630 - 662 MHz	Art. no. 508764
<b>EW-D SKM-S BASE SET (S7-10)</b>	662 - 693.8 MHz	Art. no. 508765
<b>EW-D SKM-S BASE SET (U1/5)</b>	823.2 - 831.8 MHz & 863.2 - 864.8 MHz	Art. no. 508766
<b>EW-D SKM-S BASE SET (V3-4)</b>	925.2 - 937.3 MHz	Art. no. 508768
<b>EW-D SKM-S BASE SET (Y1-3)</b>	1785.2 - 1799.8 MHz	Art. no. 508769
<b>EW-D ME2/835-S SET (Q1-6)</b>	470.2 - 526 MHz	Art. no. 508770
<b>EW-D ME2/835-S SET (R1-6)</b>	520 - 576 MHz	Art. no. 508771
<b>EW-D ME2/835-S SET (R4-9)</b>	552 - 607.8 MHz	Art. no. 508772
<b>EW-D ME2/835-S SET (S1-7)</b>	606.2 - 662 MHz	Art. no. 508773
<b>EW-D ME2/835-S SET (S4-7)</b>	630 - 662 MHz	Art. no. 508774
<b>EW-D ME2/835-S SET (S7-10)</b>	662 - 693.8 MHz	Art. no. 508775
<b>EW-D ME2/835-S SET (U1/5)</b>	823.2 - 831.8 MHz & 863.2 - 864.8 MHz	Art. no. 508776
<b>EW-D ME2/835-S SET (V3-4)</b>	925.2 - 937.3 MHz	Art. no. 508778
<b>EW-D ME2/835-S SET (Y1-3)</b>	1785.2 - 1799.8 MHz	Art. no. 508779



# Evolution Wireless Digital

## ACCESSORIES

<b>EW-D ASA (Q-R-S)</b>	Active Antenna Splitter	470 - 694 MHz	Art. no. 508879
<b>EW-D ASA (T-U-V-W)</b>	Active Antenna Splitter	694 - 1075 MHz	Art. no. 508880
<b>EW-D ASA (X-Y)</b>	Active Antenna Splitter	1350 - 1805 MHz	Art. no. 508881
<b>EW-D ASA CN/ANZ (Q-R-S)</b>	Active Antenna Splitter	470 - 694 MHz	Art. no. 508998
<b>EW-D AB (Q)</b>	Antenna Booster	470 - 550 MHz	Art. no. 508873
<b>EW-D AB (R)</b>	Antenna Booster	520 - 608 MHz	Art. no. 508874
<b>EW-D AB (S)</b>	Antenna Booster	606 - 694 MHz	Art. no. 508875
<b>EW-D AB (U)</b>	Antenna Booster	823 - 865 MHz	Art. no. 508876
<b>EW-D AB (V)</b>	Antenna Booster	902 - 960 MHz	Art. no. 508877
<b>EW-D AB (Y)</b>	Antenna Booster	1785 - 1805 MHz	Art. no. 508878
<b>ADP UHF (470 - 1075 MHz)</b>	Passive directional antenna	470 - 1075 MHz	Art. no. 508863
<b>AD 1800</b>	Passive directional antenna	1400 - 2400 MHz	Art. no. 504916
<b>BA 70</b>	Rechargeable battery pack for SK and SKM		Art. no. 508860
<b>L 70 USB</b>	Charger for BA 70 rechargeable battery pack		Art. no. 508861
<b>EW-D CHARGING SET</b>	Set of L 70 USB charger and 2 BA 70 rechargeable battery packs		Art. no. 508862
<b>EW-D COLOR CODING SET</b>	Colored labels for wireless link identification for EM, SKM-S, SK		Art. no. 508989
<b>EW-D SK COLOR CODING</b>	Colored labels for wireless link identification for SK		Art. no. 508990
<b>EW-D SKM COLOR CODING</b>	Colored labels for wireless link identification for SKM-S		Art. no. 508991
<b>EW-D EM COLOR CODING</b>	Colored labels for wireless link identification for EM		Art. no. 508992



# Evolution Wireless Digital

## ARCHITECT'S SPECIFICATION

### EW-D EM rack receiver

The stationary receiver with switching diversity technology shall be for use with a companion transmitter as part of a digital wireless RF transmission system.

The receiver shall operate within ten UHF frequency ranges, with a switching bandwidth of up to 56 MHz: 470.2 – 526 MHz, 520 – 576 MHz, 552 – 607.8 MHz, 606.2 – 662 MHz, 630 – 662 MHz, 662 – 693.8 MHz, 823.2 – 831.8 MHz, 863.2 – 846.8 MHz, 925.2 – 937.3 MHz, 1785.2 – 1799.8 MHz; selectable frequencies shall be up to 2,240.

The receiver shall feature Bluetooth® Low Energy (BLE) at a frequency range between 2402 and 2480 MHz for remote controlling the devices via a control App for iOS and Android.

The audio frequency response shall be between 20 Hz and 20 kHz (-3 dB) @ 3 dBfs. Audio total harmonic distortion (THD) shall be ≤ -60 dB for 1 kHz @ -3 dBfs input level. Dynamic range shall be 134 dB.

The receiver shall be menu-driven with a backlit LC display showing the current frequency, channel number, metering of RF level, metering of AF level, lock status, muting function, mute lock status, antenna switching diversity, app connection, gain, audio output level, menu and battery status of the associated transmitter. An auto-lock feature shall be provided to prevent settings from being accidentally altered.

The receiver shall feature a balanced XLR-3M audio output with a maximum output of +18 dBu along with an unbalanced ¼" (6.3 mm) audio output with a maximum output of +12 dBu. Two BNC-type input sockets shall be provided for connecting the antennas.

The receiver shall operate on 12 V power supplied from the power supply unit or from a Sennheiser EW-D ASA antenna splitter. Power consumption shall be ≤ 300 mA. The receiver shall have a rugged metal housing; dimensions shall be approximately 212 x 44 x 189 mm (8.35" x 1.73" x 7.44"). Weight shall be approximately 1000 grams (2.2 lbs) without antennas and power supply. Operating temperature shall range from -10 °C to +55 °C (+14 °F to +131 °F).

The receiver shall be the Sennheiser EW-D EM.

### EW-D SKM-S handheld transmitter

The handheld transmitter shall be for use with a companion receiver as part of a digital wireless RF transmission system.

The handheld transmitter shall operate within ten UHF frequency ranges, with a switching bandwidth of up to 56 MHz: 470.2 – 526 MHz, 520 – 576 MHz, 552 – 607.8 MHz, 606.2 – 662 MHz, 630 – 662 MHz, 662 – 693.8 MHz, 823.2 – 831.8 MHz, 863.2 – 846.8 MHz, 925.2 – 937.3 MHz, 1785.2 – 1799.8 MHz; selectable frequencies shall be up to 2,240.

The audio frequency response shall be between 20 Hz and 20 kHz (-3 dB) @ 3 dBfs. Audio total harmonic distortion (THD) shall be ≤ -60 dB for 1 kHz @ -3 dBfs input level. Dynamic range shall be 134 dB.

A programmable mute switch shall be provided to mute or unmute the audio signal.

The handheld transmitter's parameters shall be configurable in the associated receiver's menu and synchronized with the handheld transmitter via Bluetooth Low Energy (BLE).

Power shall be supplied to the handheld transmitter by two 1.5 V AA size batteries or by one Sennheiser BA 70 rechargeable battery pack. Operating time shall be typically 12 hours with a battery pack and up to 8 hours with AA batteries.

Occupied bandwidth shall be 200 kHz. Transmit power (radiated) shall be 10 mW ERP (1785.2 – 1799.8 MHz Range: 12 mW ERP).

The handheld transmitter shall have a rugged metal housing; dimensions shall be approximately 50 mm (1.97") in diameter and 268 mm (10.55") in length including a Sennheiser MMD 835 microphone module. Weight including MMD 835 microphone module shall be approximately 304 grams (0.67 lbs). Operating temperature shall range from -10 °C to +55 °C (+14 °F to +131 °F).

A range of different microphone heads shall be available for the handheld transmitter.

The handheld transmitter shall be the Sennheiser EW-D SKM-S.



# Evolution Wireless Digital

## ARCHITECT'S SPECIFICATION

### EW-D SK bodypack transmitter

The bodypack transmitter shall be for use with a companion receiver as part of a digital wireless RF transmission system.

The bodypack transmitter shall operate within ten UHF frequency ranges, with a switching bandwidth of up to 56 MHz: 470.2 – 526 MHz, 520 – 576 MHz, 552 – 607.8 MHz, 606.2 – 662 MHz, 630 – 662 MHz, 662 – 693.8 MHz, 823.2 – 831.8 MHz, 863.2 – 846.8 MHz, 925.2 – 937.3 MHz, 1785.2 – 1799.8 MHz; selectable frequencies shall be up to 2,240.

The audio frequency response shall be between 20 Hz and 20 kHz (-3 dB) @ 3 dBfs. Audio total harmonic distortion (THD) shall be  $\leq$  -60 dB for 1 kHz @ -3 dBfs input level. Dynamic range shall be 134 dB.

A programmable mute switch shall be provided to mute or unmute the audio signal.

The bodypack transmitter's parameters shall be configurable in the associated receiver's menu and synchronized with the bodypack transmitter via Bluetooth Low Energy (BLE).

Power shall be supplied to the bodypack transmitter by two 1.5 V AA size batteries or by one Sennheiser BA 70 rechargeable battery pack. Operating time shall be typically 12 hours with a battery pack and up to 8 hours with AA batteries.

Occupied bandwidth shall be 200 kHz. Transmit power (radiated) shall be 10 mW ERP (1785.2 – 1799.8 MHz Range: 12 mW ERP).

The bodypack transmitter shall have a rugged metal housing; dimensions shall be approximately 63 x 80 x 20 mm (2.48" x 3.15" x 0.79") without antenna. Weight without the batteries shall be approximately 120 grams (0.26 lbs). Operating temperature shall range from -10 °C to +55 °C (+14 °F to +131 °F).

The bodypack transmitter shall be compatible with microphones for every application: Sennheiser lavalier microphones ME 2, ME 4, MKE 1, MKE 2 Gold and MKE Essential Omni, Sennheiser headset microphones HS 2, HSP 2, HSP Essential Omni, ME 3 and SL Headmic 1.

The bodypack transmitter shall be the Sennheiser EW-D SK.