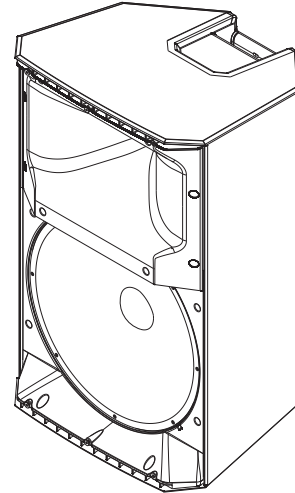




# ZLX-15BT 15" 2-way powered speaker BT

- High-quality Bluetooth® audio streaming for background music or musical accompaniment. *Bluetooth® connectivity is available in select countries.*
- QuickSmartDSP features best-in-class processing. Easy setup via four presets, sub/top system-match, two-band EQ, five user-programmable presets, visual monitoring of limiter status, input level control and meters, and master volume control to optimize gain structure, all via LCD.
- High-efficiency 1000 W Class-D power amplifier delivers us to 127 dB peak SPL utilizing transducers designed and engineered by EV.
- EV-patented Signal Synchronized Transducers (SST) waveguide design provides precise and consistent coverage, minimal distortion, and maximized acoustical loading.
- Three optimally located handles combined with a rugged composite structure provides the most portable professional sound speaker on the market.



## NOW STREAMING: Cut through the competition with Bluetooth® enhanced ZLX portable loudspeakers

ZLX portable loudspeakers offer the best performance and reliability in their class - with components and engineering that work together to make it quicker and easier than ever to take control of your sound, whatever the gig. Now with Bluetooth® enabled wireless audio streaming, legendary ZLX performance becomes even more convenient with the ability to connect to any mobile device for streaming your music library.

Featuring custom drivers housed in an innovative cabinet design, the two new wireless, compact, and versatile ZLX models make EV's renowned sound quality and rugged reliability more accessible than ever before.

*Bluetooth® is available in select countries.*

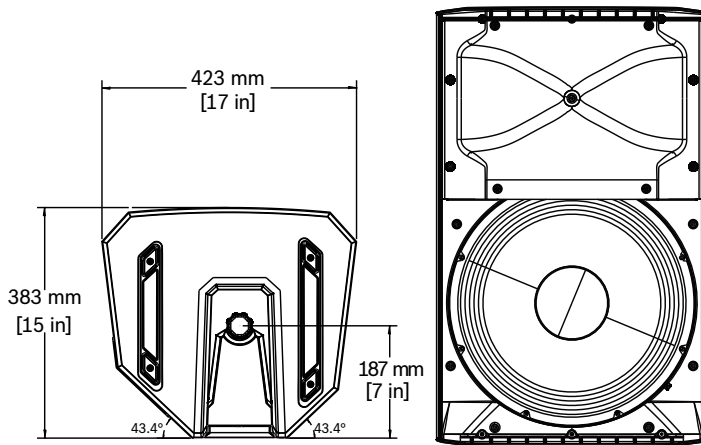
## Technical specifications

Frequency Response (-3 dB) <sup>1</sup> :	55 Hz - 18 kHz
Frequency Range (-10 dB):	42 Hz - 20 kHz
Maximum SPL <sup>2</sup> :	127 dB
Coverage (H x V):	90° x 60°
Power Rating:	1000 W
LF Transducer:	EVS-15L, 380 mm (15 in) woofer
HF Transducer:	DH-1K
Connectors:	(2) XLR/TRS Combo Jack (1) 3.5 mm Input and (1) XLR link Output
Enclosure:	Polypropylene
Grille:	18 Gauge steel with black powder coat

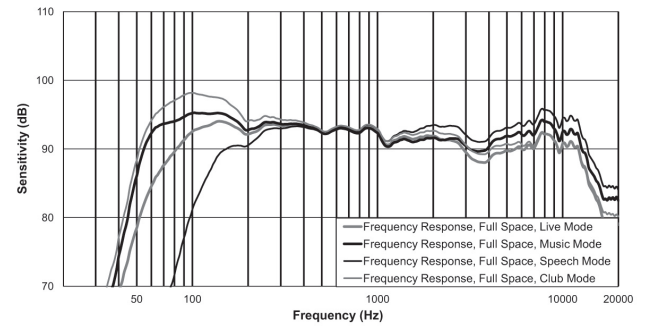
## 2 | ZLX-15BT 15" 2-way powered speaker BT

Color:	Black
Dimensions (H x W x D):	685 mm x 426 mm x 383 mm (27 in x 17 in x 15 in)
Net Weight:	17.3 kg (38.0 lb)
Shipping Weight:	23.0 kg (50.78 lb)
Power Consumption <sup>3</sup> :	100 - 240 V~, 50 - 60 Hz, 0.8 - 0.5 A

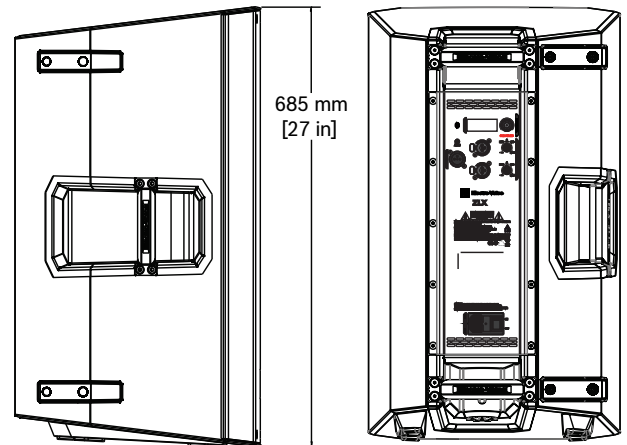
1. Full-Space measurement using the MUSIC DSP preset.
2. Maximum SPL is measured at 1 m using broadband pink noise at maximum output.
3. Current rating is specified at 1/8 full output power.



### Frequency response:

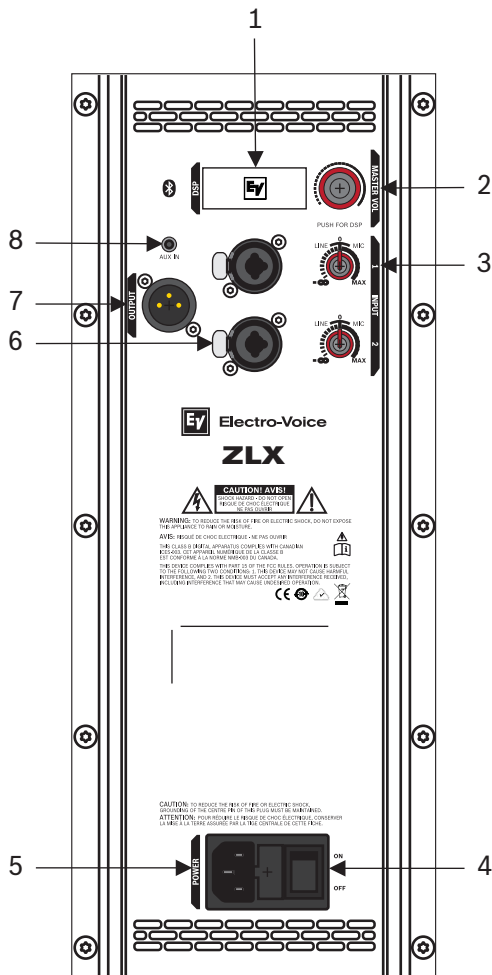


### Dimensions:



## System overview

### Full-Range loudspeaker control and monitoring interface



#### Full-Range loudspeaker amplifier panel

1. **LCD** - DSP control and monitoring interface.
2. **MASTER VOL** - Adjusts the sound level.  
**DSP** - Scroll through the menu and select the available choices. Push the MASTER VOL knob to enter the DSP menu.
3. **INPUT LEVEL** - Level control for adjusting the individual inputs' level. The 12 o'clock position is unity gain (no gain or attenuation), the range to the

left of zero is for adjusting line level sources, and the range to the right of zero (0) is for adjusting microphone levels. LINE and MIC input level control is available for both INPUT 1 and INPUT 2.

4. **POWER** - AC switch or switching the power ON or OFF. The LCD screen lights up when the power is turned ON, after approximately 3 seconds.
5. **MAINS IN** - AC connection is established via an IEC-connector.
6. **INPUT** - Balanced input for the connection of signal sources like mixing consoles, instruments, or microphones. Connections can be established using ¼ inch TRS or XLR connectors.
7. **OUTPUT** - XLR output sends the mix of all input signals to another loudspeaker or subwoofer. INPUT LEVEL controls the signal level to OUTPUT. The MASTER VOL or DSP control settings do not affect OUTPUT. This is also the output for the BT signal which is configurable via the MIX OUT setting.
8. **AUX IN** - 3.5 mm audio jack input for connecting external audio media devices, such as MP3 players.

For more information, see the ZLX Powered Loudspeaker Series Installation manual (F.01U.349.854).

## Ordering information

**ZLX-15BT-EU 15" 2-way powered speaker BT EUcord**  
Powered 15-inch 2-way loudspeaker with Bluetooth® and EU cord, black  
Order number **ZLX-15BT-EU**

**ZLX-15BT-US 15" 2-way powered speaker BT UScord**  
Powered 15-inch 2-way loudspeaker with Bluetooth® and US cord, black  
Order number **ZLX-15BT-US**

### Accessories

**ZLX-BRKT ZLX Wall Mount Bracket**  
Wall mount bracket for ZLX-12/12P/12BT and ZLX-15/15P/15BT, black  
Order number **ZLX-BRKT**

**ZLX-15-CVR ZLX Padded Cover for ZLX-15/P - EV Logo**  
Padded cover for ZLX-15/15P/15BT, EV logo, black  
Order number **ZLX-15-CVR**

#### Represented by:

**Germany:**  
Bosch Sicherheitssysteme GmbH  
Robert-Bosch-Ring 5  
85630 Grasbrunn  
Germany

Bosch Security Systems, Inc.  
12000 Portland Avenue South  
Burnsville MN 55337  
USA

www.electrovoice.com