

Overview

Perfectly suited for use with CZR full-range speakers, the CXS15XLF/CXCXS15XLFW is a bass-reflex type subwoofer with extended low frequencies, outstanding clarity, and best-in-class 130dB SPL performance.



CXS15XLF



CXS15XLFW

Features

- 15" subwoofer with 4" Voice Coil
- High power 800W (PGM) input
- Cardioid mode capable with processors or DSP onboard power amps
- Lightweight yet very durable plywood cabinet with premium grade Polyurea coating
- SpeakON NL4MP x 3 (Parallel x 2, Output x 1)
- Dual-pole socket
- Optional speaker cover (SPCVR-DXS15X) and wheel kit (SPW-1)
- Durable black or white finish

Specifications

General Specifications

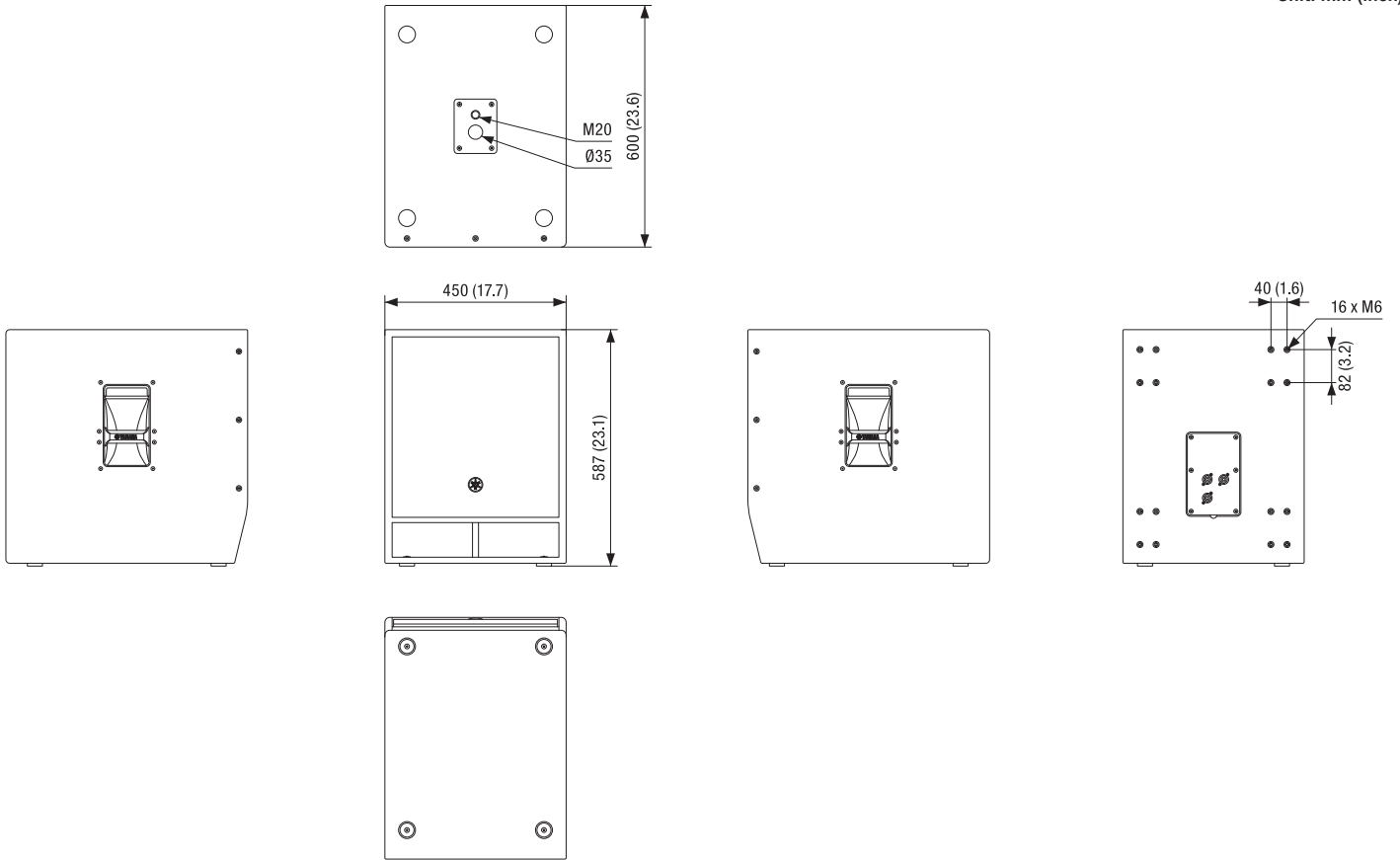
Speaker Type	Subwoofer, Bass-reflex	
Frequency Range (-10dB)	Passive: 33Hz - 3.5kHz, Normal (*1): 35Hz - 150Hz, Extend (*1): 33Hz - 150Hz	
Coverage Area	-	
Floor Monitor Angle	-	
Components	LF	15" Cone, 4" Voice Coil, Ferrite magnet
	HF	-
Crossover	-	
Power Rating	NOISE	400W (EIA 426-A)
	PGM	800W (EIA 426-A)
	PEAK	1600W (EIA 426-A)
Nominal Impedance	8Ω	
SPL	Sensitivity (1W; 1m on axis)	98dB *2
	Peak (Calculated)	130dB *2
I/O Connectors	SpeakON NL4MP x 3 (Parallel x 2, Output x 1)	
Handle	Aluminium die-cast, Side x 2	
Pole Socket	Ø35mm (depth 80mm), M20 Threaded (depth 25mm)	
Rigging	-	
Dimensions (W x H x D)	450mm x 587mm (with rubber feet) x 720mm (17.7" x 23.1" x 23.6")	
Net Weight	35.6kg (78.5lbs)	
Options	Cover: SPCVR-DXS15X, Caster: SPW-1	
Others	Enclosure Material, Finish, Color: Plywood, Durable Polyurea coating, Black/White	

*1 With recommended DSP processing.

*2 Half space (2π).

Dimensions

Unit: mm (inch)



Options

- Speaker Cover SPCVR-DXS15X
- Wheel Kit SPW-1

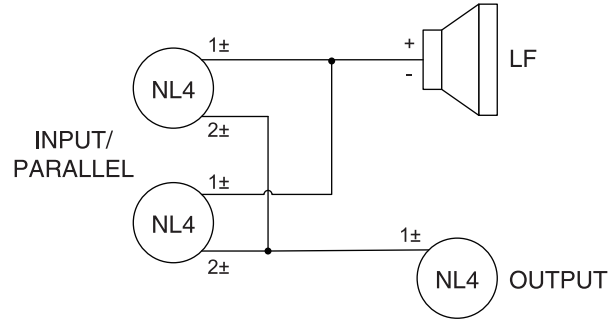
Architectural and Engineering Specifications

The Yamaha CXS15XLF shall be a passive bass-reflex subwoofer for sound reinforcement applications. The loudspeaker shall have one 15" cone low-frequency transducer with a 4" voice coil. Continuous program power capacity shall be 800 watts. The loudspeaker shall be capable of meeting the following performance criteria: reproduction frequency range shall be 33 Hz to 3.5 kHz (-10 dB) when used without equalization, and maximum output SPL shall be 130 dB (peak, pink noise @ 1m). Two parallel-connected SpeakON connectors shall be provided for input, and one SpeakON connector shall be provided for output.

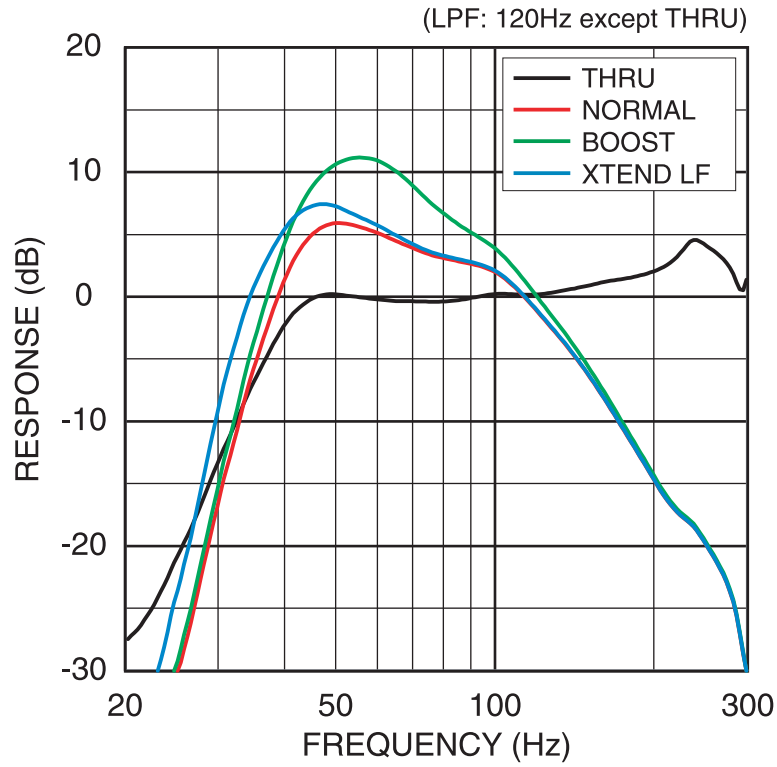
The loudspeaker shall be designed for full compatibility with the speaker tuning capabilities of Yamaha PX series amplifiers or other speaker processors in order to deliver optimum system performance in a variety of environments.

The loudspeaker enclosure shall be constructed of high-grade plywood and finished with a durable polyurea coating. Rigging points shall be provided for use with standard eyebolts, and optional U Brackets will offer a variety of mounting configurations. The dimensions of the loudspeaker shall be 450 x 587 x 600 mm (W x H x D, including rubber feet). The weight shall be 35.6 kg.

Block Diagrams



Frequency Response



*All information subject to change without notice.

*All trademarks and registered trademarks are property of their respective owners.

Created in June, 2020