



Digital 6000

SKM 6000 | Handheld transmitter



FEATURES

- Digital high-performance handheld transmitter with wide selection of capsules for every voice and every stage situation
- Intermodulation-free even at close proximity to multiple transmitters
- Large 88 MHz switching bandwidth ensures flexibility and reliable operation even in demanding RF environments

The SKM 6000 digital handheld transmitter is equipped for every voice, every song and every demand on the world's live stages. Maximum transmission reliability is delivered by the renowned Long Range mode superior audio quality by the proprietary Sennheiser Audio Codec (SeDAC) from the wireless masterpiece, Digital 9000. Link Density Mode (LD mode) with efficiency-optimized Audio Codec (SePAC) ensures up to 5 channels per MHz bandwidth. Sophisticated electronics prevent disturbing intermodulation, even with numerous transmitters in the most confined spaces. This allows operation in an equidistant frequency grid and efficiently utilizes the available frequency spectrum.

Via Sennheiser's standard capsule interface, the SKM 6000 transmitter is compatible with microphone heads from evolution wireless G3, 2000, Digital 9000, and the Neumann KK 204 / 205 series.

A special magnesium housing offers the perfect balance between low weight and roadworthy construction.

The BA 60 lithium-ion battery pack ensures up to 5.5 hours of operation. Alternatively, operation is also possible with batteries from the B 60 battery set.

The transmitter is fully compatible with the EK 6042 and EM 9046 in Long Range mode.

DELIVERY INCLUDES

- SKM 6000 handheld transmitter
- MZQ 9000 microphone clamp
- quick guide
- safety guide

COMPATIBLE WITH

- EM 9046 in Long Range mode
- EK 6042

SYSTEM COMPONENTS

- EM 6000 / EM 6000 DANTE
- SK 6000
- SK 6212
- L 6000
- L 60

PRODUCT VARIANTS

| | |
|-------------------|-----------------|
| SKM 6000 A1-A4 | Art. no. 506302 |
| SKM 6000 A5-A8 | Art. no. 506303 |
| SKM 6000 B1-B4 | Art. no. 506304 |
| SKM 6000 A5-A8 US | Art. no. 506367 |
| SKM 6000 A1-A4 JP | Art. no. 506337 |
| SKM 6000 A5-A8 JP | Art. no. 506338 |
| SKM 6000 B1-B4 JP | Art. no. 506339 |
| SKM 6000 A1-14 KR | Art. no. 506352 |
| SKM 6000 A5-A8 KR | Art. no. 506353 |
| SKM 6000 B1-B4 KR | Art. no. 506354 |



Digital 6000

SKM 6000 | Handheld transmitter

SPECIFICATIONS

| | |
|------------------------------------|--|
| Frequency range | 470 to 718 MHz, subdivided into 3 ranges: SKM 6000 A1 – A4: 470 – 558 MHz SKM 6000 A5 – A8: 550 – 638 MHz SKM 6000 B1 – B4: 630 – 718 MHz |
| Modulation scheme | Digital modulation - Long Range Mode (LR) - Link Density Mode (LD) |
| Audio codec | LR mode: SeDAC (Sennheiser Digital Audio Codec) LD mode: SePAC (Sennheiser Performance Audio Codec) |
| Switching bandwidth | 88 MHz |
| Frequency stability | < 5 ppm |
| Tuneability | 25 kHz steps |
| Encryption | AES 256 and Digital 9000 encryption |
| Lower cut-off-frequency (-3 dB) | Adjustable: 60 Hz, 80 Hz, 100 Hz, 120 Hz |
| RF output power | LR: 25 mW rms LD: 1 mW rms |
| Audio frequency response | LR: 30 Hz to 20 kHz (3 dB) LD: 30 Hz to 14 kHz (3 dB) |
| Audio Gain | Can be set in 3 dB steps from 0 dB to + 62 dB (for each capsule) |
| Operating time | 5.5 h (with BA 60 battery pack) |
| Dimensions (H × W × D) | 270 × 40 mm |
| Weight | Approx. 350 g (with BA 60 battery pack and ME 9005 microphone module) |

ACCESSORIES

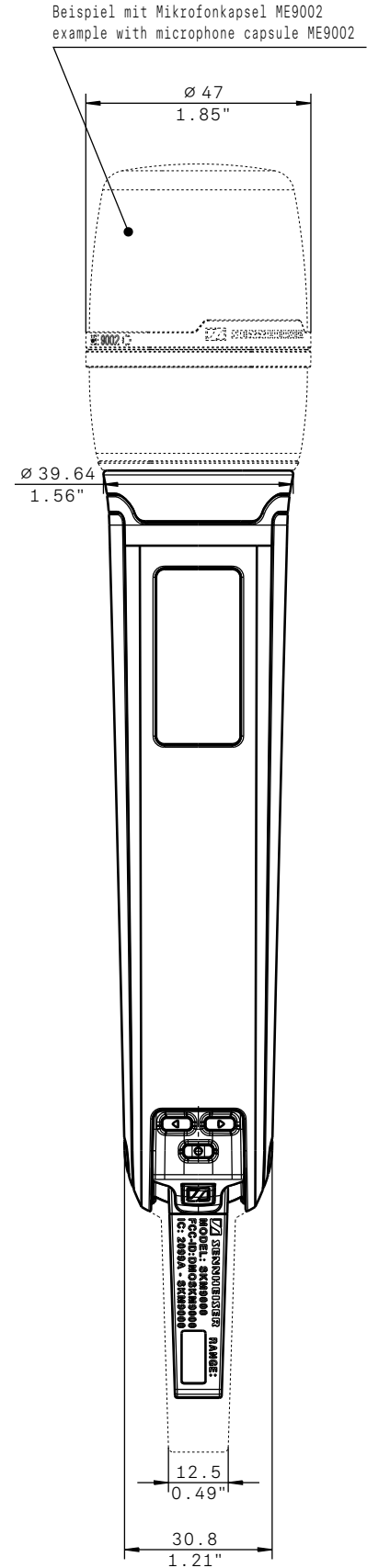
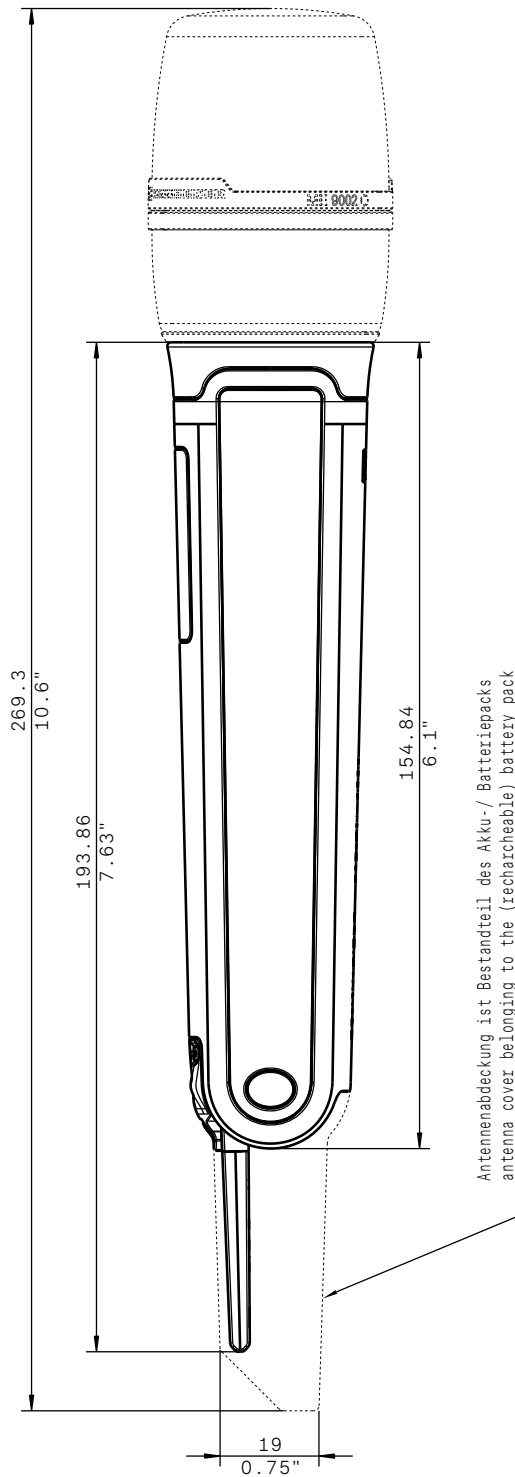
| | | |
|--------------------------|---|-----------------|
| BA 60 | Rechargeable battery | Art. no. 504702 |
| B 60 | Battery compartment | Art. no. 504700 |
| Microphone heads: | | |
| MMD 835-1 BK | dynamic, cardioid, black | Art. no. 502575 |
| MMD 845-1 BK | dynamic, super-cardioid, black | Art. no. 502576 |
| MMD 865-1 BK | condenser, super-cardioid, black | Art. no. 502581 |
| MMD 935-1 BK | dynamic, cardioid, black | Art. no. 502577 |
| MMD 945-1 BK | dynamic, super-cardioid, black | Art. no. 502579 |
| MMK 965-1 BK | true condenser, switchable, black | Art. no. 502582 |
| MMK 965-1 NI | true condenser, switchable, nickel | Art. no. 502584 |
| MD 9235 BK | dynamic, super-cardioid, black | Art. no. 502585 |
| MD 9235 NI | dynamic, super-cardioid, nickel | Art. no. 502586 |
| MD 9235 NI/ BK | dynamic, super- cardioid, nickel-black | Art. no. 502591 |
| ME 9002 | electret, omni- directional, black | Art. no. 502587 |
| ME 9004 | electret, cardioid, black | Art. no. 502588 |
| ME 9005 | electret, super-cardioid, black | Art. no. 502589 |
| Neumann KK 204 | condenser, cardioid, nickel | Art. no. 008651 |
| Neumann KK 204 BK | condenser, cardioid, black | Art. no. 008652 |
| Neumann KK 205 | condenser, super-cardioid, nickel | Art. no. 008653 |
| Neumann KK 205 BK | condenser, super-cardioid, black | Art. no. 008654 |



Digital 6000

SKM 6000 | Handheld transmitter

DIMENSIONS





Digital 6000

SKM 6000 | Handheld transmitter

ARCHITECT'S SPECIFICATION

The handheld transmitter shall be for use with a companion receiver as part of a true digital wireless RF transmission system. The handheld transmitter shall operate in the UHF frequency range between 470.200 and 717.900 MHz. Different frequency variants shall be available depending on country-specific regulations.

The transmitter shall feature a backlit LC display showing battery status, the frequency or the channel name, the status of the lock mode, the AES 256 encryption status and warnings. Remaining operating time shall be indicated by both a battery icon and numeric indication in hours and minutes. All transmitter parameters shall be adjustable with function buttons on the device itself or by infrared synchronization via the associated receiver. The function buttons shall be lockable against accidental misuse.

The frequency switching bandwidth shall be up to 88 Mhz with a frequency stability of < 5 ppm and a tunability of 25 kHz steps. RF output power shall be 25 mW rms and 50 mW peak.

The transmitter shall feature an LED indicating the operating status when the device is switched on. The LED shall flash at audio peaks and shall be defeatable when the device is in lock mode.

The AF frequency response shall range from 30 – 20,000 Hz. The lower frequency limit (-3 dB) shall be adjustable between 60 Hz, 80 Hz, 100 Hz or 120 Hz. The Audio amplification shall be adjustable in steps of 3 dB from 0 dB to +62 dB (depending on the capsule).

The transmitter shall utilize Sennheiser's standard capsule interface serving Sennheiser microphone heads of the evolution wireless and 2000 series and Digital 9000 as well as the Neumann KK 204 / 205 microphone heads.

The transmitter shall be powered by the Sennheiser lithium-ion rechargeable battery pack BA 60 with a typical operating time of 5.5 hours. The rechargeable battery pack shall be exchangeable. The housing of the transmitter shall be made of magnesium.

Dimensions shall be approximately 40 mm (1.57") in diameter and 270 mm (10.63") in length. Weight (with microphone head and battery pack) shall be approximately 350 grams (13.35 oz / 0.77 lbs). Operating temperature shall range from -10 °C to +50 °C (+14 °F to +122 °F).

The handheld transmitter shall be the Sennheiser SKM 6000.