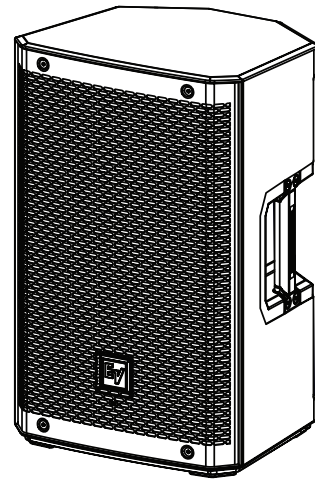


# ZLX-8-G2 8" 2-way passive speaker

## ZLX

- ZLX-G2 is the next generation of the best-selling pro-audio loudspeaker series from Electro-Voice
- Increased maximum SPL output and extended frequency response
- Robust and ergonomic design for day-to-day durability and portability
- Recommended to use with Dynacord DSP power amplifiers
- SONICUE integration - optimized speaker settings for best performance



The new ZLX-G2 professional audio loudspeaker series is the next generation of the best-selling speakers from Electro-Voice, which raises the standard for performance and features in its class.

The ZLX-G2 series is offered in 15-inch, 12-inch, and new 8-inch woofer sizes, both powered and passive variants.

ZLX-G2 loudspeakers offer the best-in-class acoustic output. Electro-Voice-patented Signal Synchronized Transducers (SST) baffle design ensures improved bass, small size, and even coverage across all frequencies.

ZLX-G2 series features a 55-degree monitor angle. 12 and 15-inch models additionally include a “kickback” 23-degree monitor angle.

ZLX-8-G2 uses industry standard NL4 connections. The two NL4 connectors are in parallel and pass through all pins.

For optimal acoustics and performance, ZLX-8-G2 is recommended to be used with a Dynacord DSP power amplifier programmed with the appropriate speaker settings included in the EV Speaker Database for SONICUE.

ZLX-G2 series accessories such as padded covers, a U-bracket for mounting 12- and 15-inch models, and universal wall-mount brackets compatible with all models are available.

## Parts included

Quantity	Component
1	Loudspeaker
1	User manual

## Technical specifications

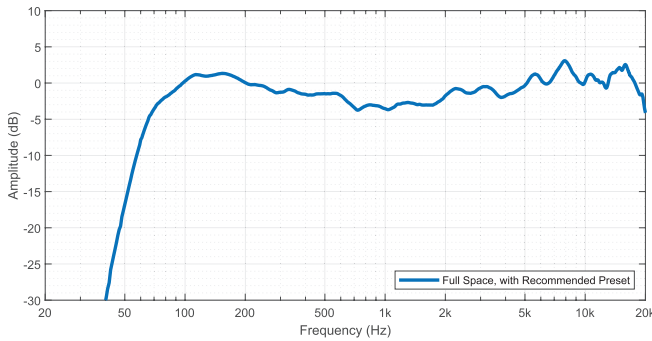
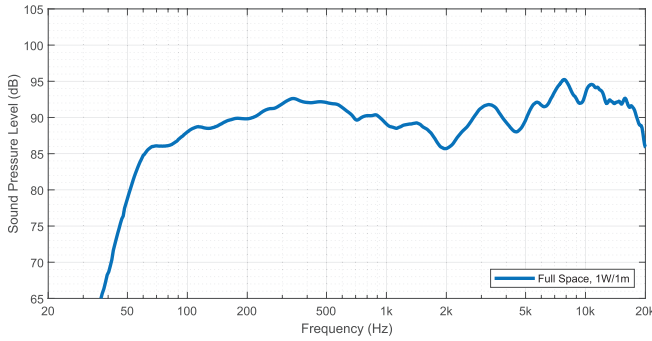
Frequency response (-3 dB) (Hz) <sup>1</sup>	67 Hz – 20,000 Hz
Frequency range (-10 dB) (Hz) <sup>1</sup>	55 Hz – 20,000 Hz
Axial sensitivity (dB SPL 1W/1m)	90 dB SPL 1W/1m
Maximum sound pressure level at a distance of 1 m (dB) <sup>1</sup>	124 dB
High pass frequency (Hz)	60 Hz
Crossover frequency (kHz)	2 kHz
Coverage angle HxV (°)	90° x 60°
Power handling (continuous) (W)	250 W
Power handling (peak) (W)	1,000 W
Nominal impedance (Ω)	8 Ω
LF transducer	WECA2088
LF transducer size (in)	8 in
LF transducer magnet material	Ferrite
HF transducer	DH-1K
HF transducer type	Compression driver
HF transducer size (in)	1.4 in
HF transducer diaphragm material	Titanium
Dimensions (H x W x D) (mm)	459.6 mm x 289.9 mm x 280.5 mm
Dimensions (H x W x D) (in)	18.09 in x 11.41 in x 11.04 in
Shipping dimensions (H x W x D) (mm)	500 mm x 390 mm x 350 mm
Shipping dimensions (H x W x D) (in)	19.69 in x 15.35 in x 13.78 in
Weight (kg)	10.15 kg

## 2 | ZLX-8-G2 8" 2-way passive speaker

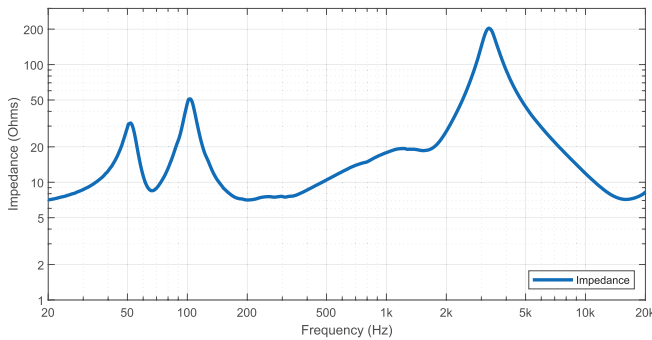
Weight (lb)	22.38 lb
Shipping weight (kg)	11.92 kg
Shipping weight (lb)	26.28 lb

1) With recommended preset

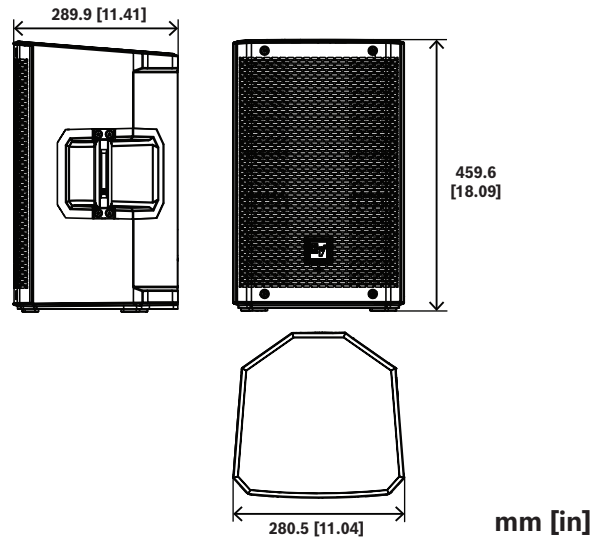
### Frequency response:



### Impedance:



### Dimensions:



## Ordering information

### ZLX-8-G2 8" 2-way passive speaker

Passive 8-inch 2-way loudspeaker, black

Order number **ZLX-8-G2 | F.01U.385.530**

### Accessories

#### ZLX-8-G2-CVR Padded cover for 8" ZLX-G2 models

Padded cover for 8-inch ZLX-G2 loudspeaker models, EV logo, black

Order number **ZLX-8-G2-CVR | F.01U.385.533**

#### BRKT-POLE-S Wall mount bracket 8",10" 2-way speaker

Pole mount bracket for 8-, 10- and some 12-inch loudspeakers, black

Order number **BRKT-POLE-S | F.01U.385.536**

#### BRKT-POLE-L Wall mount bracket 12",15" 2-way speaker

Pole mount bracket for loudspeakers up to 15 inches, black

Order number **BRKT-POLE-L | F.01U.385.537**

### Represented by:

**Germany:**  
 Bosch Sicherheitssysteme GmbH  
 Robert-Bosch-Ring 5  
 85630 Grasbrunn  
 Germany  
[www.electrovoice.com](http://www.electrovoice.com)

Bosch Security Systems, LLC  
 12000 Portland Avenue South  
 Burnsville MN 55337  
 USA