

■DESCRIPTION

The TZ-105 Column Speaker employs multiple cone speakers arranged vertically on a single baffle board to provide wider horizontal directivity.

■SPECIFICATIONS

| | |
|----------------------|--|
| Rated Input | 10 W (Max. 15 W) |
| Rated Impedance | 100 V line: 1 kΩ (10 W), 2 kΩ (5 W) |
| Sound Pressure Level | 90 dB (1 W, 1 m) |
| Frequency Response | 150 - 10,000 Hz |
| Speaker Component | 12 cm cone-type × 2 |
| Water Resistance | IP-X3 equivalent |
| Finish | Enclosure: Extruded aluminum, silver gray, fully-glazed, baked paint Grille: Punched aluminum net, black, matte, baked paint Mounting bracket: Steel plate, silver gray, fully-glazed, baked paint |
| Dimensions | 167 (W) × 335 (H) × 141 (D) mm |
| Weight | 3.4 kg (unit only), 4 kg (including mounting bracket) |
| Accessory | Mounting bracket ×2, Mounting bolt, washer, packing ×1 set |

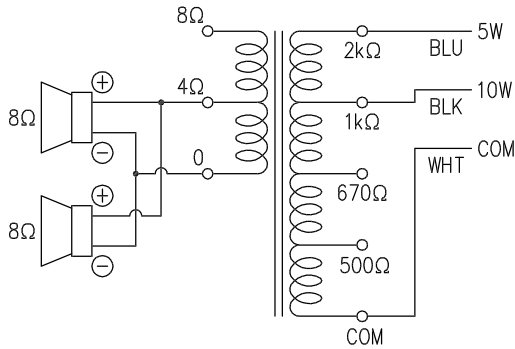
[NOTE] A drainage hole is provided on the speaker cable side of the cabinet.

When installing the speaker outdoors, make sure that its speaker cable side faces the ground.

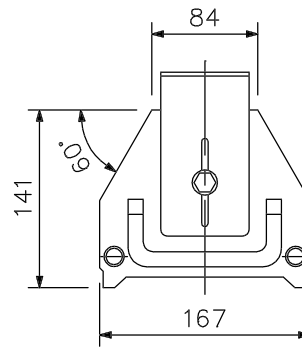
The speaker must be installed upright or facing down.

Installing the speaker in any other position may render the drainage hole ineffective, eventually leading to an electrical failure or other damage.

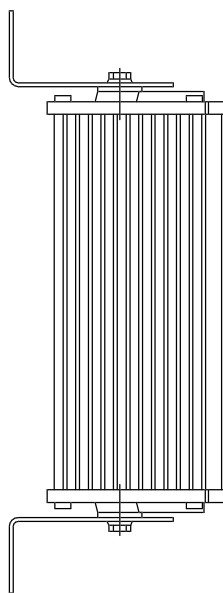
■APPEARANCE



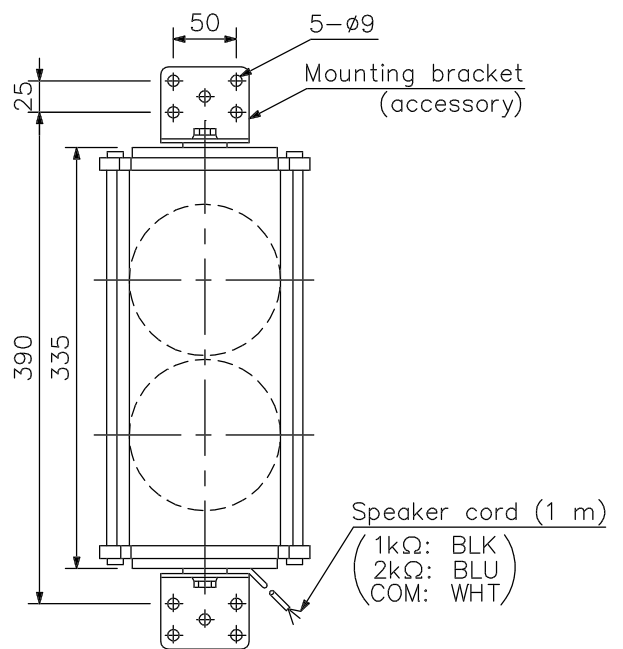
Wiring Diagram



Top View



Side View



Front View

UNIT:mm SCALE:1/6