

F-05BT

SPEAKER SYSTEM



F-05BT is a 2-way surface-mount speaker system designed to deliver high-quality audio for a variety of applications. This versatility makes it ideal for foreground or background music playback, as well as public address announcements. The F-05BT boasts a sleek aesthetic that seamlessly integrates with walls and ceilings hardware incorporates a temporary hanging feature, allowing for easy and secure single-handed installation with effortless wiring and angle adjustments.

Key features

- Versatile 5-inch 2-way surface-mount speaker system
- Perfect for music and announcements
- Sleek design for seamless integration with walls and ceilings
- Safe and easy installations with included mounting bracket
- Temporary docking feature allows effortless wiring and positioning
- Flexible angle adjustment for both wall and ceiling mounts
- Ideal for permanent installs or portable setups

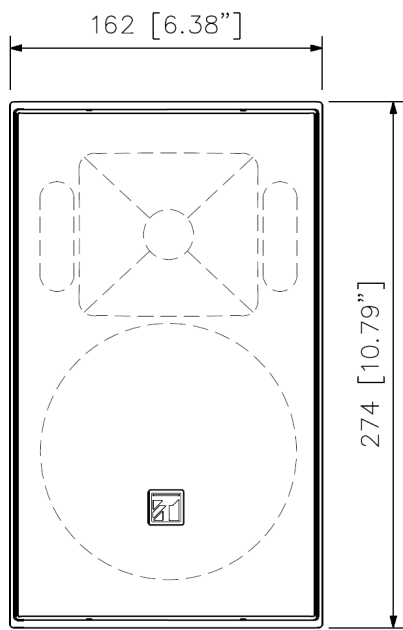
Specifications

Enclosure	Bass-reflex type
Rated Input	30 W (100 V line, 70 V line)
Power Handling	Rated noise power: 60 W (8 Ω) Continuous program: 120 W (8 Ω)
Rated Impedance	8 Ω 100 V line: 330 Ω (30 W), 1 kΩ (10 W), 3.3 kΩ (3 W), 10 kΩ (1 W) 70 V line: 170 Ω (30 W), 330 Ω (15 W), 1 kΩ (5 W), 3.3 kΩ (1.5 W), 10 kΩ (0.5 W)
Sensitivity	90 dB (1 W, 1 m) at installation in 1/2 free sound field
Frequency Response	60 Hz - 20 kHz, -10 dB at installation in 1/2 free sound field
Crossover Frequency	4.5 kHz
Directivity Angle	Horizontal: 100°, Vertical: 100°
Speaker Component	Low frequency: 13 cm (5") PP cone-type High frequency: 25 mm (1") dome tweeter
Input Terminal	Push-in Terminal
Operating Temperature	-10 °C to +50 °C (14 °F to 122 °F)
Installation Environment	Indoor installation
Finish	Enclosure: HIPS, black (RAL 9011 equivalent), paint Grille: Aluminum, black (RAL 9011 equivalent), paint Speaker bracket: Die-cast aluminum, black (RAL 9011 equivalent), paint Base bracket: Steel plate, t4, black (RAL 9011 equivalent), paint Base bracket cover: HIPS, black (RAL 9011 equivalent)
Dimensions	162 (W) x 274 (H) x 164 (D) mm (6.38" x 10.79" x 6.46")
Weight	2.7 kg (5.95 lb)
Included Accessories	Speaker bracket x 1, Base bracket x 1, Base bracket cover x 1, Bracket fixing screw x 1 set
Optional Accessories	Adapter plate: HY-F05B Speaker stand: ST-34B Note: K&MM 19780 or K&M 19610 is required.

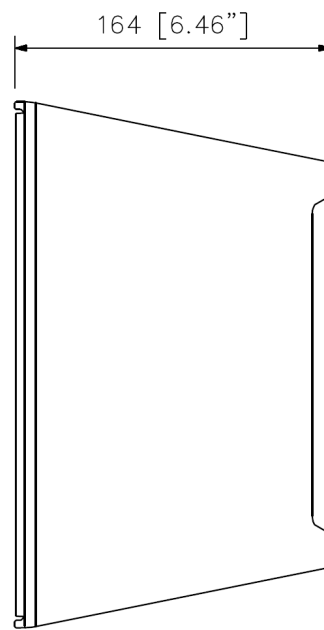
(*1) Rated noise power is defined by IEC60268-5. Continuous program is 3 dB above Rated noise power.

Note: Bolts and nuts for mounting the bracket to the wall or ceiling are not included. Prepare them separately.

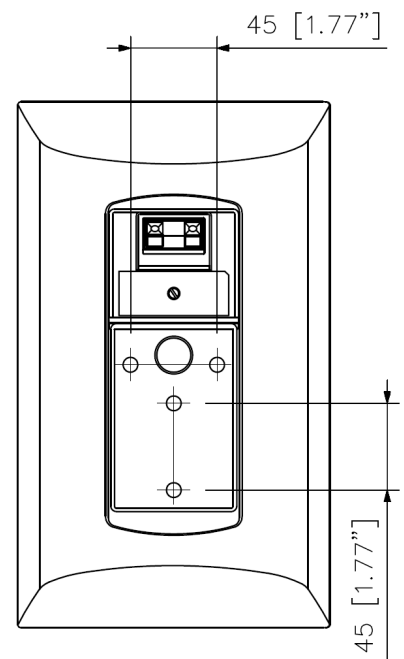
Dimensions



Front View



Side View

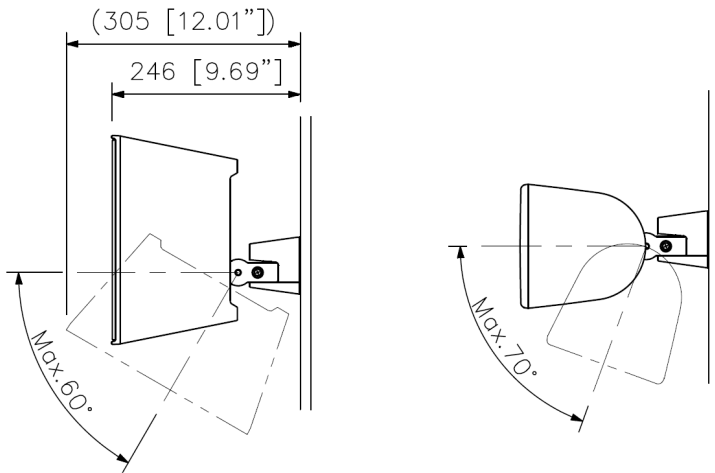


Rear View

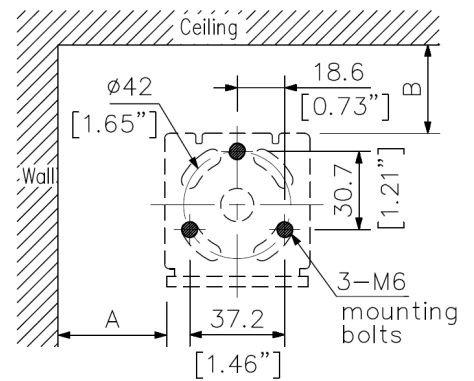
UNIT:mm

Dimensions

Wall mounting example

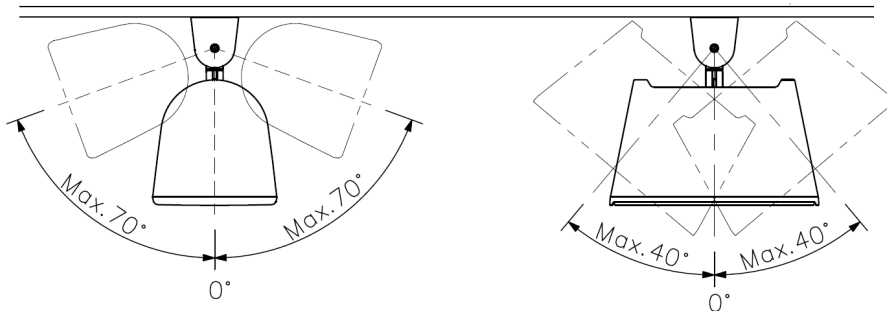


The angle can be adjusted in 10° steps.

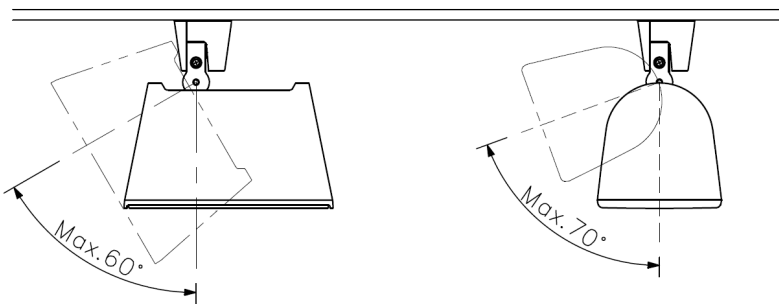


Vertical installation	Horizontal installation
A 200 (7.87") or more	250 (9.84") or more
B 300 (11.81") or more	200 (7.87") or more

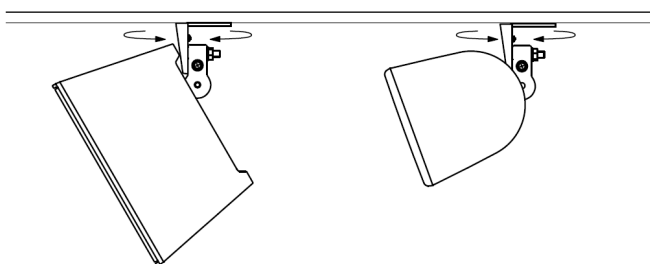
Dimensions of wall mounting hole
(base bracket (accessory))



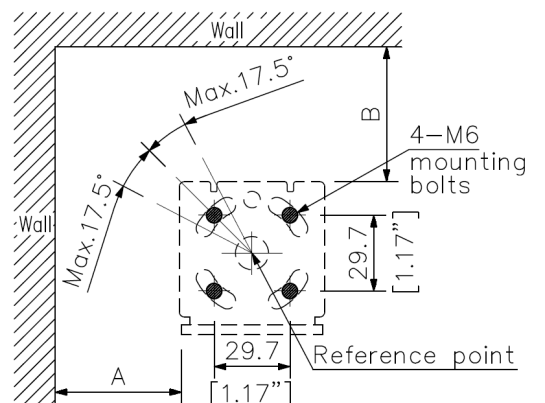
Ceiling mounting example



The angle can be adjusted in 10° steps.



The angle can be adjusted up to 17.5° left or right from the "Reference point" in the Base bracket.



Vertical installation	Horizontal installation
A 150 (5.91") or more	200 (7.87") or more
B 250 (9.84") or more	250 (9.84") or more

Dimensions of wall or ceiling mount hole
(base bracket (accessory))

A&E specifications

The speaker shall be a 2-way, bass-reflex type enclosure suitable for ceiling or wall mounting. The low-frequency driver shall be a 13 cm (5") polypropylene (PP) cone-type, and the high-frequency driver shall be a 25 mm (1") dome tweeter. The speaker shall have a rated noise power handling capacity of 60 W (8 Ω) and a continuous program power capacity of 120 W (8 Ω). The rated input for the speaker shall be 30 W when connected to 100 V or 70 V line systems. The speaker shall offer multiple tap settings, including 330 Ω (30 W), 1 k Ω (10 W), 3.3 k Ω (3 W), and 10 k Ω (1 W) for the 100 V line, and 170 Ω (30 W), 330 Ω (15 W), 1 k Ω (5 W), 3.3 k Ω (1.5 W), and 10 k Ω (0.5 W) for the 70 V line. The impedance shall be 8 Ω for direct connection. The speaker shall have a sensitivity of 90 dB at 1 W, measured at 1 m distance in a 1/2 free sound field. The frequency response of the speaker shall range from 60 Hz to 20 kHz, with a -10 dB variance in a 1/2 free sound field. The crossover frequency shall be 4.5 kHz. The directivity angle of the speaker shall be 100° horizontally and 100° vertically, ensuring broad coverage for optimal sound dispersion. The enclosure shall be constructed of high-impact polystyrene (HIPS) and finished in either black or white. The grille shall be made of aluminum and finished to match the enclosure color. The mounting bracket and base bracket shall be made of die-cast aluminum and steel plate respectively, both painted to match the enclosure finish. The base bracket shall support the mounting bracket that is attached to the enclosure and allow for temporary positioning without fixing the nut, facilitating two-handed wiring work. The speaker shall be equipped with push-in terminal for input connection. The speaker shall be designed for indoor installation and be capable of operating in a temperature range from -10°C to +50°C (14°F to 122°F). The overall dimensions of the speaker shall be 162 mm (W) x 274 mm (H) x 164 mm (D) (6.38" x 10.79" x 6.46"), and the weight shall be 2.7 kg (5.95 lbs.). Included accessories shall consist of one speaker bracket, one base bracket, one base bracket cover, and one set of bracket fixing screws. Optional extras:

Adapter Plate: HY-F05B/ HY-F05W

Speaker Stand: ST-34B with compatibility for K&M 19780 or K&M 19610 stands
manufactured by TOA Corporation. Manufacturer: TOA Corporation

Model: F-05BT/ F-05WT