

■DESCRIPTION

The WS-5325M includes a wireless transmitter WM-5325, a lavalier microphone YP-M5310, and a diversity wireless tuner WT-5810.

The WM-5325 wireless transmitter has been manufactured for use with a UHF system. Thanks to the PLL-synthesizer system, 64 different operating frequencies are made available. A high output power ensures stable radio signal transmission.

The YP-M5310 employs an electret condenser microphone element and has been designed for use in speech reinforcement applications.

The WT-5810 is a PLL-synthesizer controlled double superhetrodyne diversity tuner designed to be used with a UHF wireless system. It employs a compander noise reduction circuit to minimize the influence of ambient RF noise.

■SPECIFICATIONS

| | |
|-----------------------|---|
| Product Composition | Wireless transmitter WM-5325 *1, Lavalier microphone YP-M5310 *1, Diversity wireless tuner WT-5810 *1 |
| Frequency Range | 576 – 865 MHz (*1), UHF |
| Tone Frequency | 32.768 kHz |
| Operating Temperature | -10 °C to +50 °C (14 °F to 122 °F) |
| Accessory | AC adapter (*2) *1, Screw driver *1, Storage case *1, Neck strap *1 |

Wireless transmitter

(*3) 0 dB = 1 V

| | |
|---------------------|--|
| Modulation | Frequency modulation |
| Channel Selectable | 64 channels (the number of channels may differ from country to country) |
| RF Carrier Power | Less than 50 mW (Factory preset 10 mW ERP) |
| Oscillator | PLL synthesized |
| Maximum Input Level | -14 dB to -29 dB (*3) (Audio level control: Min. to Max.) |
| Battery | WB-2000 (WB-2000-2 contains 2 pieces) rechargeable battery (option) or AA alkaline dry cell battery |
| Battery Life | Approx. 13 h (when the WB-2000 rechargeable battery is used) Approx. 10 h (when the alkaline battery is used) |
| Indicator | Power/Battery lamps |
| Antenna | Built-in type |
| Finish | Resin, coating |
| Dimensions | 62 (W) × 102.5 (H) × 23 (D) mm (2.44" × 4.04" × 0.91") |
| Weight | 90 g (0.2 lb) (with battery) |

Lavalier microphone

| | |
|--------------------|--|
| Microphone Element | Electret condenser type: Omnidirectional |
| Sensitivity | -64 dB ±3 dB (0 dB = 1 V/0.1 Pa, 1 kHz) |
| Cord Length | 1.3 m (4.27 ft) |
| Finish | Dark black |
| Weight | 20 g (0.71 oz) (cable included) |

Diversity wireless tuner

(*3) 0 dB = 1 V

| | |
|-----------------------|--|
| Power Source | AC mains (supplied AC adapter must be used) |
| Power Consumption | 130 mA (12 V DC) |
| Channel Selectable | 16 channels |
| Receiving System | Double super-heterodyne |
| Diversity System | Space diversity |
| Mixing Output | MIC: -60 dB (*3), 600 Ω, balanced, XLR-3-32 type connector LINE: -20 dB (*3), 600 Ω, unbalanced, phone jack |
| Mixing Input | -20 dB (*3), 10 kΩ, unbalanced, phone jack |
| Antenna | Whip antenna |
| Receiving Sensitivity | 90 dB or more, Signal to Noise ratio (20 dBμV input, 40 kHz deviation) |
| Squelch Sensitivity | 16 – 40 dBμV variable |
| Squelch System | Using together of noise SQ, carrier SQ and tone SQ |
| Indicator | ANT A/B, Audio (peak), Battery alarm, Channel number |
| Channel Check | Usable frequencies scanning |
| Signal to Noise Ratio | 104 dB or more (A-weight, unbalanced output) |
| Harmonic Distortion | 1 % or less (typical) |
| Frequency Response | 100 Hz – 15 kHz, ±3 dB |
| Finish | Resin, black |
| Dimensions | 206 (W) × 40.6 (H) × 152.7 (D) mm (8.11" × 1.6" × 6.01") (excluding antenna) |
| Weight | 590 g (1.3 lb) |

(*1)

| Version | Receiving Frequency |
|-----------|---------------------|
| A01 | 692 - 722 MHz, UHF |
| B01, B02 | 722 - 752 MHz, UHF |
| C01 - C07 | 794 - 830 MHz, UHF |
| D01 - D05 | 830 - 865 MHz, UHF |
| E01 | 668 - 698 MHz, UHF |
| F01 | 636 - 666 MHz, UHF |
| G01, G02 | 606 - 636 MHz, UHF |
| H01 | 576 - 606 MHz, UHF |

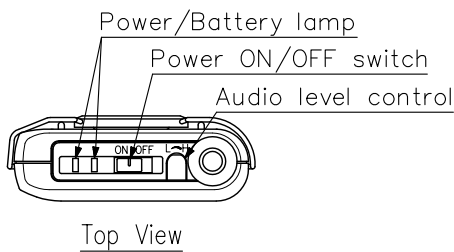
(*2)

| Version | AC Adapter | |
|---------|-----------------------|--|
| US | 120 V AC, 60 Hz | |
| CN | 220 V AC, 50 Hz | |
| UK | 220 - 230 V AC, 50 Hz | |
| ER | 230 V AC, 50 Hz | |
| AS | 240 V AC, 50 Hz | |

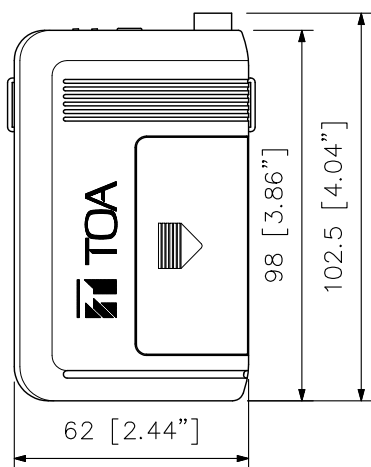
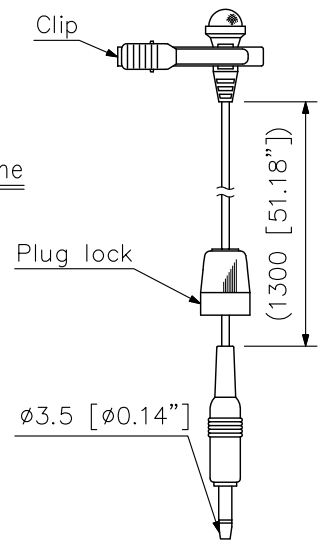
Note: No AC adapter is supplied with the version B02ER.

■ APPEARANCE

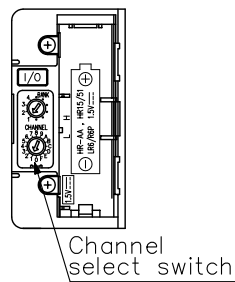
Wireless Transmitter



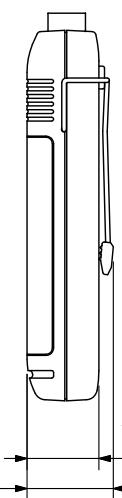
Lavalier Microphone



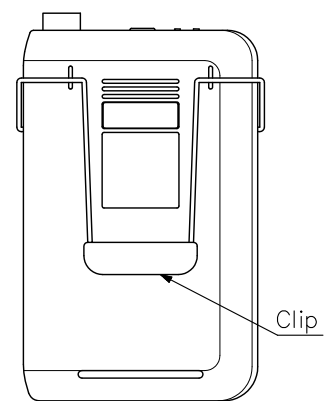
Front View



Inside of a battery cover



Side View



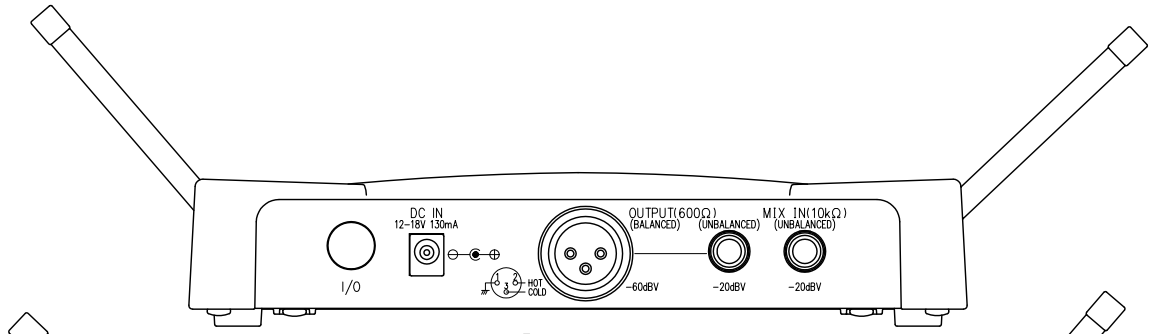
Rear View

UNIT:mm SCALE:1/2

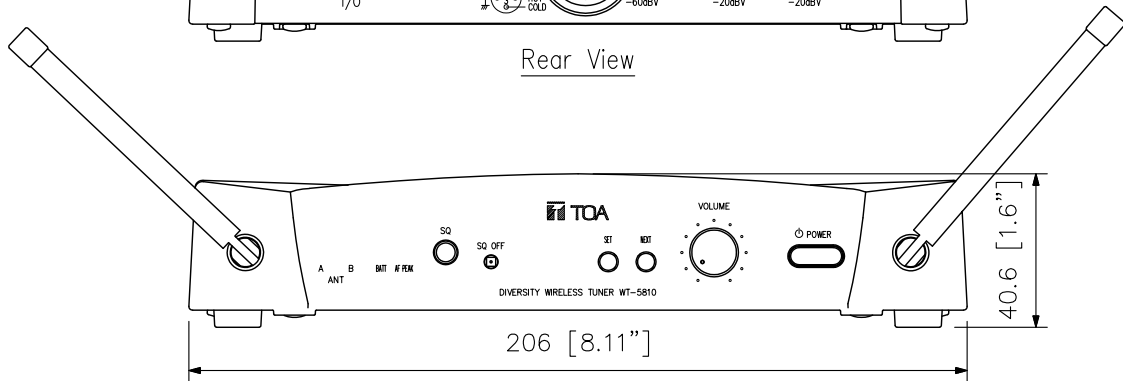
Note: Numerical values in parentheses are for reference only.

■ APPEARANCE

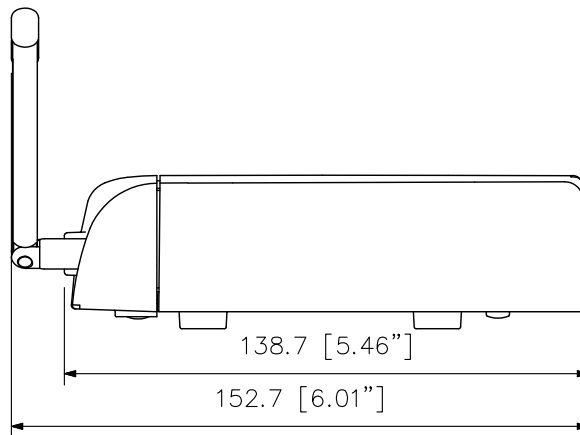
Diversity wireless tuner



Rear View



Front View



Side View

UNIT:mm SCALE:1/2