

# DA-500FH

## MULTICHANNEL POWER AMPLIFIERS

The DA-500FH is a 4-Channel Digital Power Amplifier designed for 100 V line high-impedance distribution and features lightweight, compact, high power output, and high efficiency. It delivers 500 W # 4 channels (20 # output) using a switching power supply. Each channel is equipped with an independent power section. It can be electrically isolated from the high-impedance speaker system by attaching the MT-251H Output Transformer (optional). Its Control/Monitor terminals permit power ON/OFF control of the individual channels and status monitoring for the power ON/OFF on each channel, protection on each channel, and fan operation. Prepare the control panel or status monitor display panel separately. It can be mounted in an EIA Standard equipment rack (2 unit size).

---



Article number: DA-500FH CE301  
Alternative products: DA-550F

---

# DA-500FH

## MULTICHANNEL POWER AMPLIFIERS

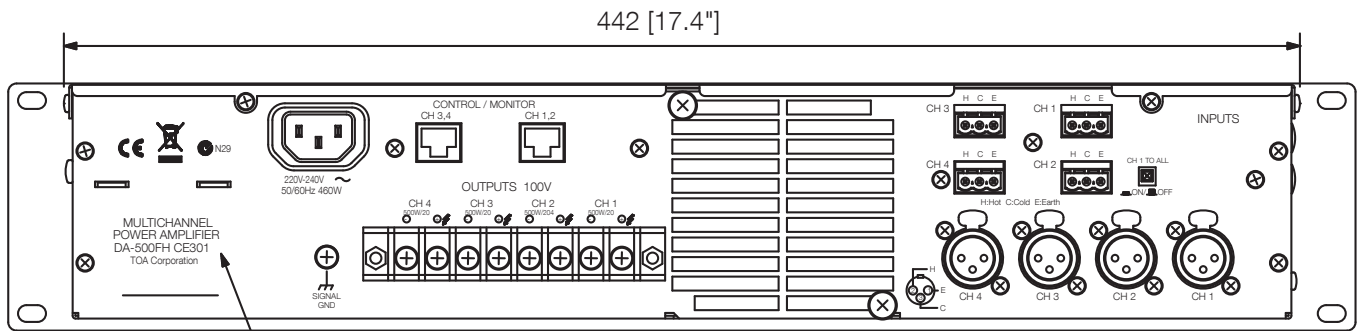
### Specifications

Indicator	Power (blue) x 1, Input (green) x 2, Output (yellow) x 2, Peak (red) x 2, Protect (red) x 2
Power source	220 - 240 V AC, 50 / 60 Hz
Rated output	4 x 500 W (100 V, 20 Ω)
Frequency response	20 Hz - 20 kHz (±1 dB)
Distortion (value)	< 0.1 %
Power source	220 - 240 V AC, 50 / 60 Hz
Rated output	4 x 500 W (100 V, 20 Ω)
Distortion	< 0.1 % (at 1 kHz)
Power consumption	460 W (EN standards)
Frequency response	20 Hz - 20 kHz (±1 dB)
Power consumption	460 W (EN standards)
S/N ratio	100 dB (A-weighted)
Number of channels	4
Indicator	Power (blue) x 1, Input (green) x 2, Output (yellow) x 2, Peak (red) x 2, Protect (red) x 2
S/N ratio	100 dB (A-weighted)
Distortion	< 0.1 % (at 1 kHz)
Finish	Aluminium, Steel plate, alumite process, black,
Operating humidity	< 90% RH (no condensation)
Operating temperature	-10°C to +40°C

# DA-500FH

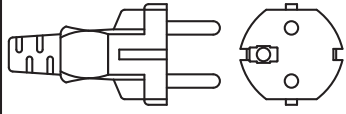
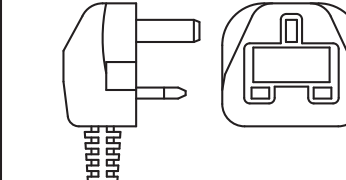
MULTICHANNEL POWER AMPLIFIERS

Appearance



Other product versions CE-GB and CE-AU are available depending on the power cord type.

Rear View

MODEL	AC plug
CE301	
CE-GB	
CE-AU	