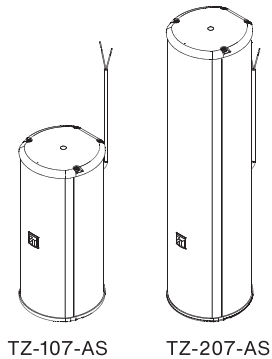


COLUMN SPEAKER

Safety Instructions

- Thank you for purchasing TOA's TOA's Column Speaker.
- Please carefully follow the instructions in this manual to ensure long, trouble-free use of your equipment.
- Column speaker models TZ-107-AS and TZ-207-AS can be used for indoor or semi-outdoor sound system development. This type of speaker has the following advantages:
 - Vertical distribution of multi-speakers so that it improves the distribution of sound (directivity) in the horizontal direction.
 - Sturdy and dynamic body.
 - Speaker design with minimum obstruction, resulting in optimal sound clarity.



TZ-107-AS

TZ-207-AS



WARNING

- The installation of the bracket should be as described in the picture of this instruction.
- Make sure the bracket is tight enough and make sure the bracket is not loose.
- Avoid installation in close proximity to gasoline, thinner or flammable materials.
- Install the speaker column in a place that is structurally strong enough to withstand the weight of the speaker and the bracket.
- Avoid installing the column speaker in a place that often vibrates, the bracket can be damaged which can eventually result in someone being injured.



CAUTION

- To avoid electric shock, make sure the power amplifier switch is off when connecting the speaker cables.
- Do not operate the speaker with distorted sound for long periods of time, as this indicates a malfunction, which may eventually result in a fire.
- Do not stand, sit, or rely on the unit's speakers, as they may fall and get hurt.
- When carrying/moving the speaker unit, do not pull the cable, as it may result in breakage of the speaker unit cable.

How to connect the cables on the Amplifier

This speaker column should be installed into an amplifier that has an output of 100 V line. The number of watts of the connected speakers is greater than or equal to the wattage output of the Amplifier. Pair these multiple speakers in a parallel manner with a maximum impedance of 31Ω.

Note

* For all types of low impedance speakers (4Ω or 8Ω, without transformer matching) can not be combined with this Column speaker (using transformer matching). Also attention to the type of amplifier whether there is a high impedance output.

How to install the Mounting Bracket

Give attention to the illustration below for bracket installation. Attach the bracket to the wall according to the recommended model and size. Then combine the column speaker by using the available accessories. (100 V).

Mounting the speaker close to the wall surface

Use the provided mounting bracket, and speaker bracket to allow for horizontal and vertical mounting. The Horizontal speaker coverage angle is 45°, or for vertical conditions is 15°.

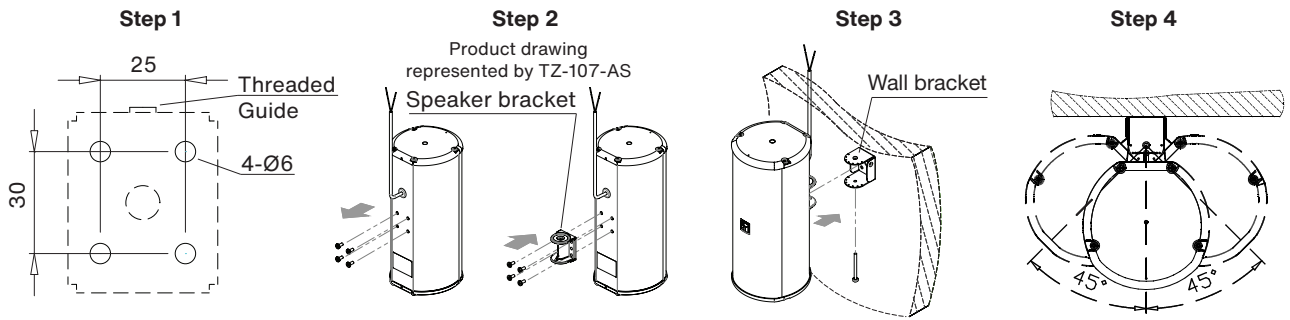
* Horizontal speaker mounting (option 1)

Step 1. Using the wall bracket provided, attach the wall bracket to the wall. The position of the screw thread guide is on top, then the wall bracket is screwed tightly.

Step 2. The screw on the back side of the speaker column is removed, install the speaker bracket as shown and on the screw tightly, from the screw that was previously removed.

Step 3. Attach the speaker bracket to the wall bracket and in the screws.

Step 4. Position the Speaker as needed, and screw it in tightly. The direction of this configuration, the speaker can only rotated in the Horizontal direction*.



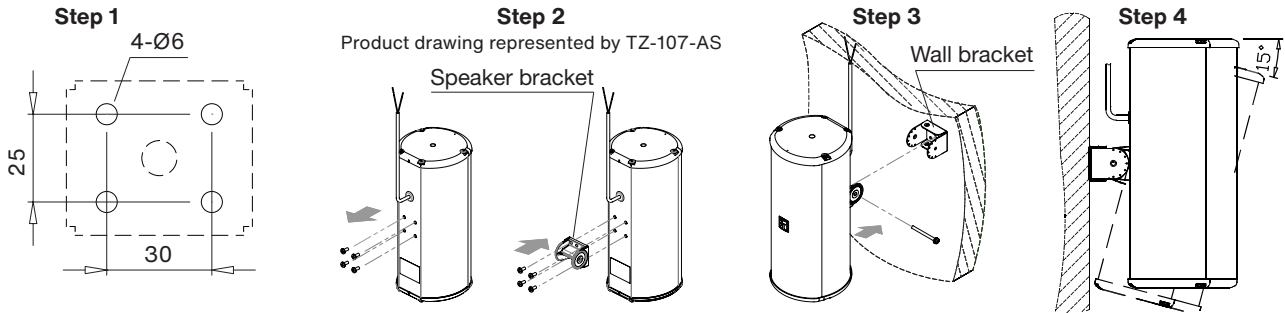
** Vertical speaker mounting (option 2)

Step 1. Using the wall bracket provided, attach the wall bracket to the wall. The position of the screw guide is on the left or right, then the wall bracket is screwed tightly to the wall.

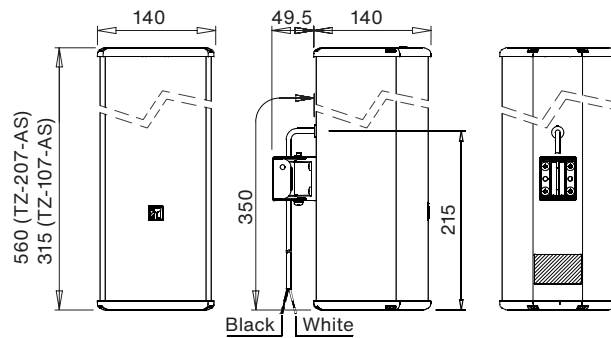
Step 2. The screw on the back side of the speaker column is removed, install the speaker bracket as shown and on the screw tightly, from the screw that was previously removed.

Step 3. Attach the speaker bracket to the wall bracket and in the screws.

Step 4. Position the Speaker as needed, and screw it in tightly. The direction of this configuration, the speaker can only rotated in the vertical direction**.



Dimension



Unit dimension in : mm

Specification

Model No.	TZ-107-AS	TZ-207-AS
Rated Input	10W	20W
Rated Impedance	100 V line: Hot 1 kΩ - Black, Com-White	100 V line: Hot 500 Ω- Black, Com-White
Frequency Response	80 Hz - 20 kHz	85 Hz - 20 kHz
Sound Pressure Level	93 dB (1 W, 1 m)	96 dB (1 W, 1 m)
Speaker Component	10 cm Cone-type x2	10 cm Cone-type x4
Dispersion Angle	Horizontal : 200° (1 kHz); 98° (4 kHz)	
	Vertical : 110° (1 kHz); 26° (4 kHz)	Vertical : 36° (1 kHz); 39° (4 kHz)
Connection	Speaker cord (2-core cabtyre cord ø6 mm (0.24"), gray)	
IP Code	IP44	
Dimensions	140 (w) x 315 (h) x 140 (d) mm	140 (w) x 560 (h) x 140 (d) mm
Weight	2.2 Kg	3.8 Kg
Enclosure Case	Extrude Aluminum black paint	
Punched Net	Surface-plate black paint	
Side Panel	Resin black paint	
Accessories	Speaker bracket ... 1, Wall bracket ... 1, BH Screw M5 x 60 Fe Blk 3-SEMS ... 1	

Note: The design and specifications are subject to change without notice for improvement