

LAM-40MW-R Column speaker, 40W, metal, white



- ▶ For applications where directivity is important
- ▶ Good speech intelligibility and background music reproduction
- ▶ Swivel wall-mounting bracket supplied as standard

The LAM-40MW-R metal column loudspeaker delivers a professional performance from a robust yet aesthetically designed metal enclosure in a white finish.

It is an ideal column loudspeaker where sound beaming is required, for indoor use in passenger terminals, places of worship, conference venues, factories, exhibition areas. A swivel wall mounting bracket is supplied, allowing accurate positioning.

System overview

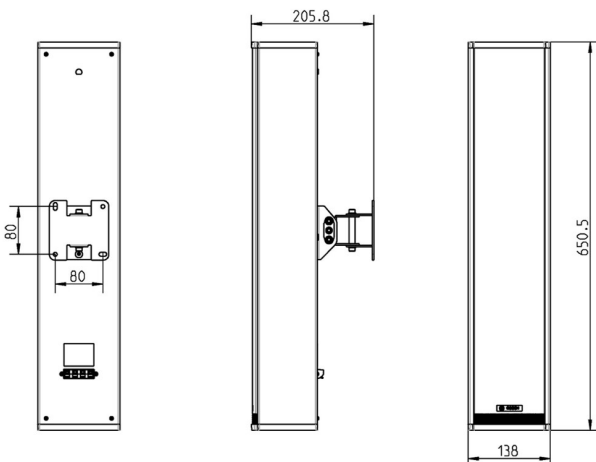


Fig. 1: Dimensions LAM-40MW-R

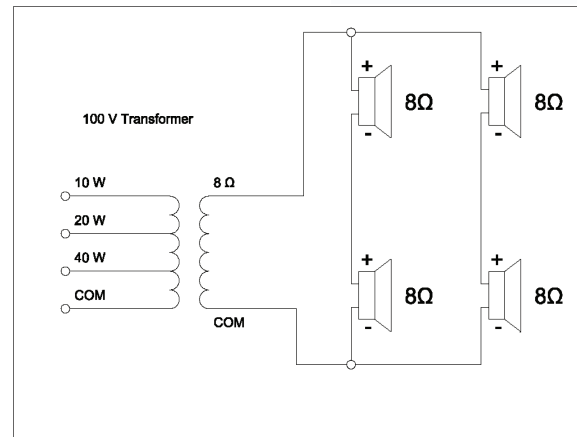


Fig. 2: Circuit diagram LAM-40MW-R

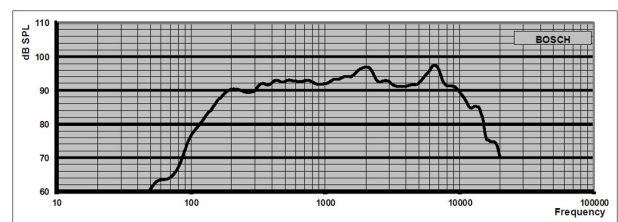


Fig. 3: Frequency response LAM-40MW-R

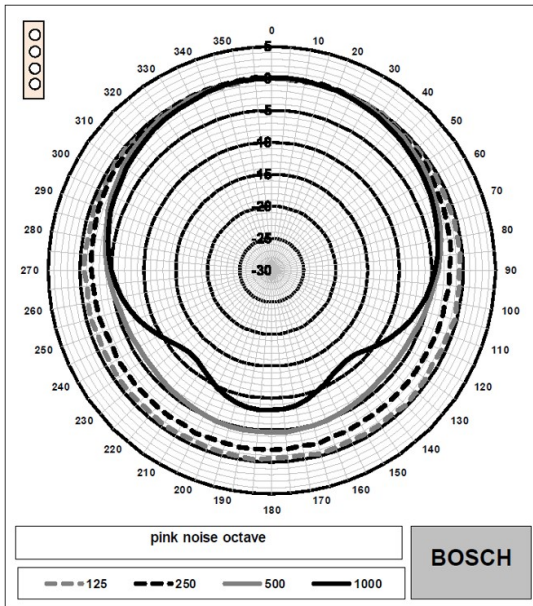


Fig. 4: Polar diagram LAM-40MW-R (horizontal measured with pink noise)

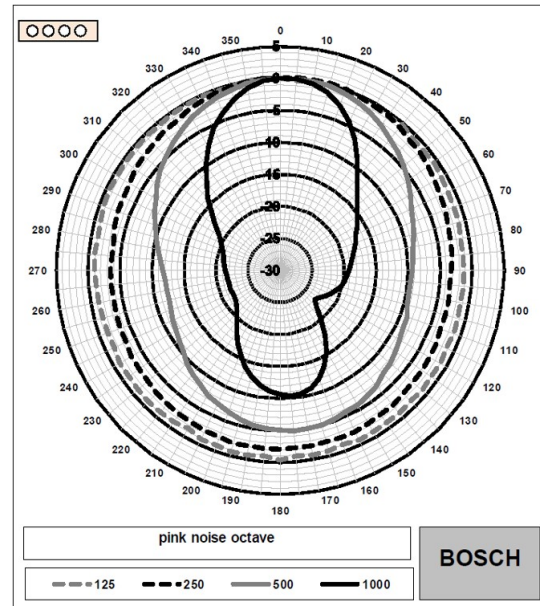


Fig. 6: Polar diagram LAM-40MW-R (vertical measured with pink noise)

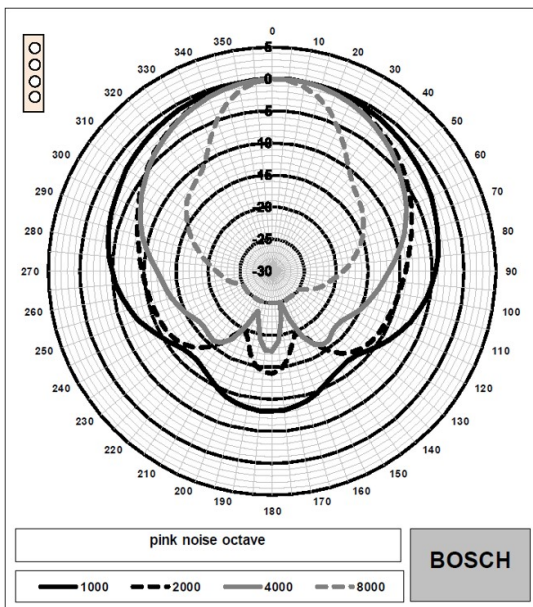


Fig. 5: Polar diagram LAM-40MW-R (horizontal measured with pink noise)

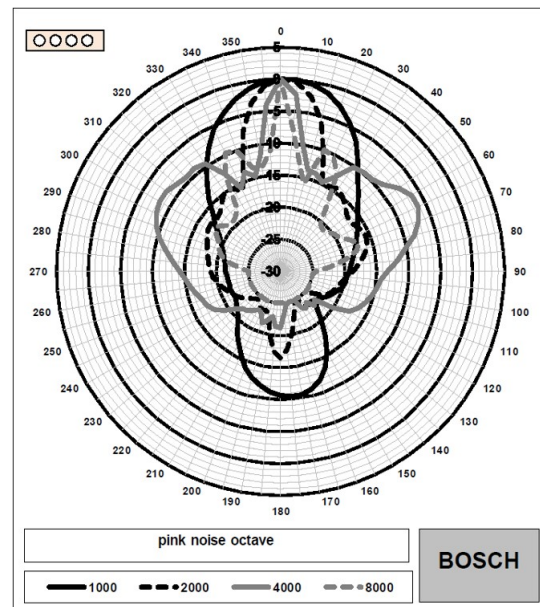


Fig. 7: Polar diagram LAM-40MW-R (vertical measured with pink noise)

Installation/configuration notes

This is a professional product that should be installed, used and maintained by trained professionals only.

Parts included

Quantity	Component
1	LAM-40MW-R Column speaker, 40W, metal, white
1	Wall-mounting bracket
1	Quick installation guide

Technical specifications

Electrical

Maximum power	60 W
Rated power (PHC)	40 W
Sound pressure level at rated power / 1 W (1 kHz, 1 m)	106 / 93 dB (SPL)
Effective frequency range (-10 dB)	120 Hz to 15.3 kHz
Horizontal opening angle at 1 kHz / 4 kHz (-6 dB)	201° / 129°
Vertical opening angle at 1 kHz / 4 kHz (-6 dB)	55° / 14°
Rated input voltage	100 V
Rated impedance	
Full power	250 Ω
Half power	500 Ω
Quarter power	1000 Ω

Mechanical

Dimensions (L x W x D)	651 x 140 x 110 mm
Weight	7 kg
Color	Signal white RAL 9003
Material	Steel
Connection	Push terminal for speakers
Connector	1 x 4 Way Push Type

Environmental

Operating temperature	0 °C to +55 °C
Storage and transport temperature	-10 °C to +70 °C
Relative humidity	≤ 95%

Ordering information

LAM-40MW-R Column speaker, 40W, metal, white

Column loudspeaker 40W, metal enclosure, finished in white, supplied with a swivel wall mounting bracket.

Order number **LAM-40MW-R | F.01U.432.403**



<https://www.boschsecurity.com>