



XS Wireless Digital Vocal Set



One-touch ease-of-use wireless audio set that utilizes a digital transmission to seamlessly link audio sources. Equipped with an XS 1 microphone, this elegant solution makes wireless vocals easier than ever before while maintaining a reliable connection.

FEATURES

- One touch ease-of-use
- 2.4 GHz digital transmission for worldwide operation
- 75 m range (250 ft) in optimal conditions
- Up to 5 hours battery life on a single charge
- Switch between multiple transmitters linked to one receiver
- Mix and match different connector types
- Mute from either transmitter or receiver

DELIVERY INCLUDES

- XSW-D female XLR transmitter
- XSW-D male XLR receiver
- XS 1 cardioid dynamic vocal microphone
- Mic clip
- USB-A to USB-C charging cable
- Colored stickers for labeling
- Quick guide
- Safety guide



XS Wireless Digital Vocal Set

SPECIFICATIONS

USB C interface for charging:

Input voltage	typ. 5.0 V
Charging temperature	0 °C - 60 °C (32 °F - 140 °F)
Charging time	typ. 3 h

Battery pack:

Cell type	Li-Ion
Nominal voltage	3.7 V
Cell capacity	850 mAh
Operating time	up to 5 h

AF characteristics:

Codec	aptX® Live
Audio frequency response	3.5 mm Jack/XLR: 80 - 18,000 Hz 6.3 mm Jack: 10 - 18,000 Hz
Audio output	max. 12 dBu
Signal-to-noise ratio	≥ 106 dB
THD	< 0.1 %
Audio latency	< 4 ms

Product properties:

Dimensions

XSW-D XLR FEMALE TX	approx. 102 x 24 x 28 mm
XSW-D MINI JACK TX	approx. 86 x 24 x 28 mm
XSW-D INSTRUMENT TX	approx. 122 x 24 x 28 mm
XSW-D XLR MALE RX	approx. 109 x 24 x 28 mm
XSW-D MINI JACK RX	approx. 86 x 24 x 28 mm
XSW-D INSTRUMENT RX	approx. 122 x 24 x 28 mm
XSW-D PEDALBOARD RX	approx. 130 x 82 x 51 mm

Weight

XSW-D XLR FEMALE TX	approx. 86 g
XSW-D MINI JACK TX	approx. 73 g
XSW-D INSTRUMENT TX	approx. 77 g
XSW-D XLR MALE RX	approx. 90 g
XSW-D MINI JACK RX	approx. 73 g
XSW-D INSTRUMENT RX	approx. 77 g
XSW-D PEDALBOARD RX	approx. 890 g

Frequency range	2,400 - 2,483.5MHz
-----------------	--------------------

Transmission power (EIRP)	max. 10 mW
---------------------------	------------

Modulation	GFSK with TDMA
------------	----------------

Environmental conditions:

Operating temperature	-10 °C to +55 °C (14 °F to 131 °F)
-----------------------	---------------------------------------

Relative humidity	95 % (non-condensing)
-------------------	-----------------------



XS Wireless Digital Vocal Set

PRODUCT VARIANTS

XSW-D VOCAL SET Art. no. 508484
XS 1 handheld, female XLR transmitter,
male XLR receiver

Other sets:

XSW-D LAVALIER SET Art. no. 508485
ME2-II, 3.5mm (1/8") transmitter, male
XLR receiver

XSW-D PEDALBOARD SET Art. no. 508486
6.3mm (1/4") transmitter, pedalboard
receiver

XSW-D PORTABLE LAVALIER SETt Art. no. 508488
ME2-II, 3.5mm (1/8") transmitter &
3.5mm (1/8") receiver

XSW-D PORTABLE INTERVIEW SET Art. no. 508489
Female XLR transmitter, 3.5mm (1/8")
receiver

XSW-D PORTABLE ENG SET Art. no. 508490
ME2-II, 3.5mm (1/8") transmitter,
female XLR transmitter, 3.5mm (1/8")
receiver

XSW-D XLR BASE SET Art. no. 508491
Female XLR transmitter, male XLR
receiver

XSW-D PRESENTATION BASE SET Art. no. 508492
3.5mm (1/8") transmitter, male XLR
receiver

XSW-D INSTRUMENT BASE SET Art. no. 508493
6.3mm (1/4") transmitter, 6.3mm (1/4")
receiver

XSW-D PORTABLE BASE SET Art. no. 508621
3.5mm (1/8") transmitter, 3.5mm (1/8")
receiver

ACCESSORIES

XSW-D XLR FEMALE TX Art. no. 508494

Transmitter with female XLR input

XSW-D MINI JACK TX Art. no. 508495

Transmitter with 3.5mm (1/8") input

XSW-D INSTRUMENT TX Art. no. 508496

Transmitter with 6.3mm (1/4") input

XSW-D XLR MALE RX Art. no. 508497

Receiver with male XLR output

XSW-D INSTRUMENT RX Art. no. 508498

Receiver with 6.3mm (1/4") output

XSW-D PEDALBOARD RX Art. no. 508499

Receiver with 6.3mm (1/4") & male
XLR outputs

XSW-D MINI JACK RX Art. no. 508500

Receiver with 3.5mm (1/8") output

NT XSW-D PEDALBOARD Art. no. 508647

Power supply for pedalboard receiver

CL 35 Art. no. 508648

3.5mm (1/8") coiled output cable

CI 63 Art. no. 508649

6.3mm (1/4") extension input cable

XSW-D BELTPACK CLIP Art. no. 508650

Transmitter belt clip

XSW-D HOTSHOE MOUNT Art. no. 508651

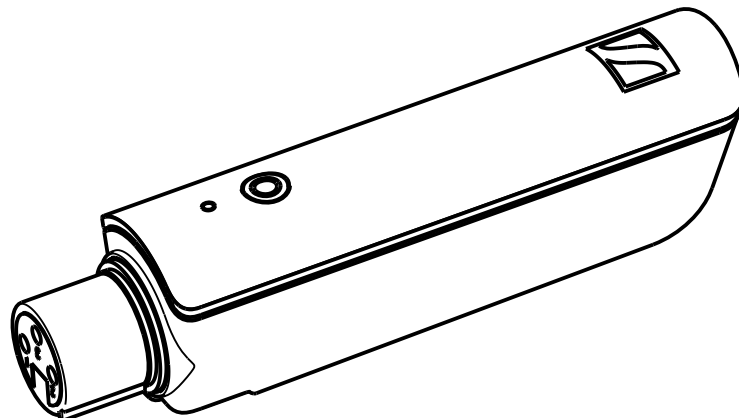
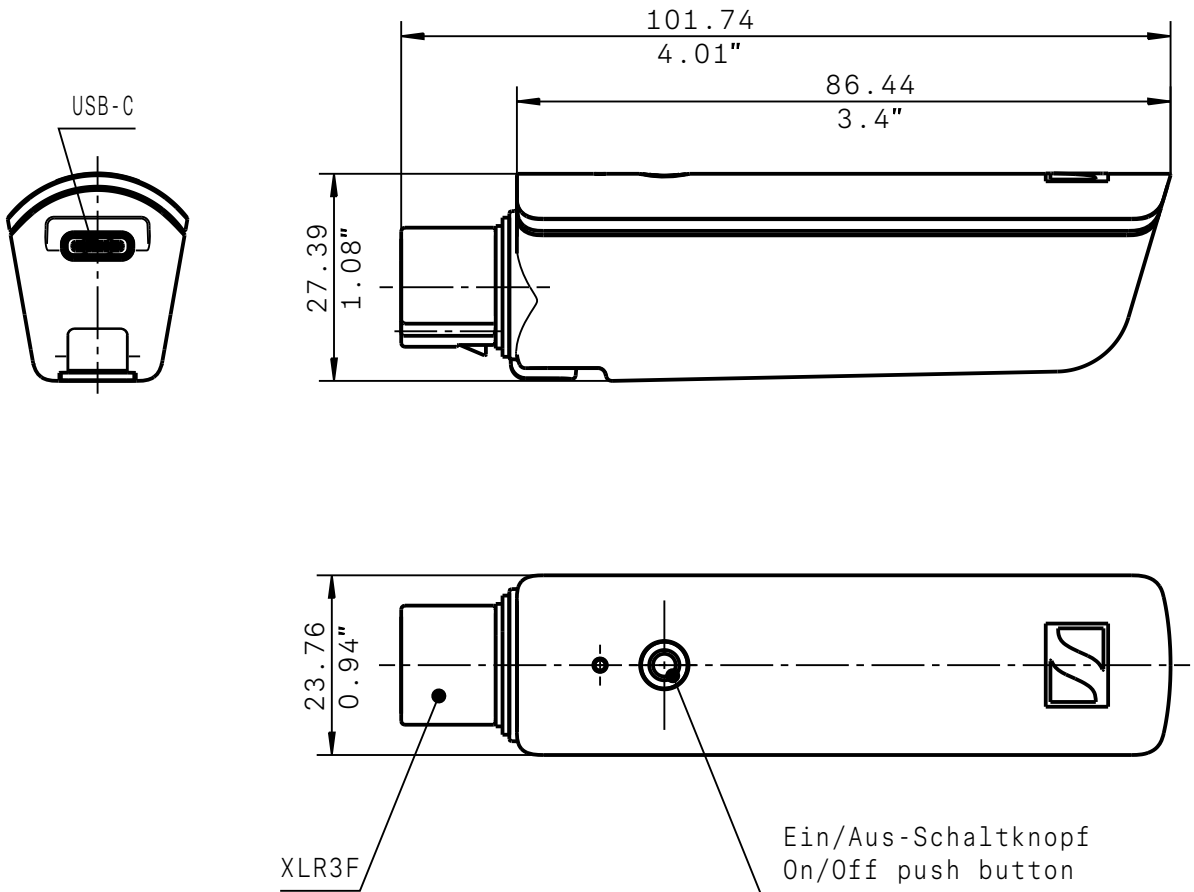
Camera mount for XSW-D receivers



XS Wireless Digital Vocal Set

DIMENSIONS

XSW-D XLR FEMALE TX





XS Wireless Digital Vocal Set

DIMENSIONS

XSW-D XLR MALE RX

