

## DESCRIPTION

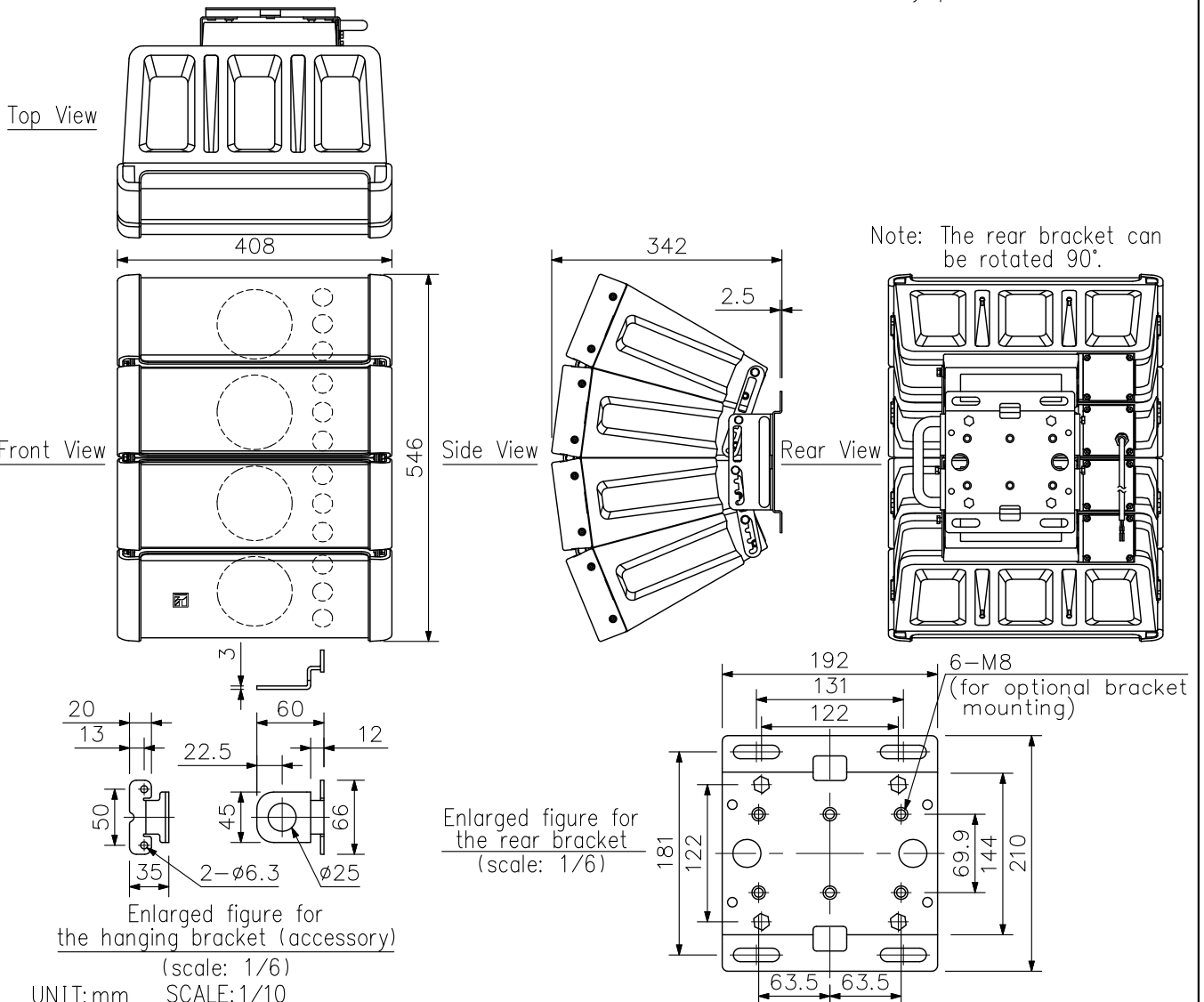
The HX-5B-WP is a 2-way compact speaker system that permits both constant directivity control over a wide frequency range and changes in directivity. It is ideal for reproducing clear sound in spaces with long reverberation times or high background noises. In locations where the speaker is directly exposed to rain, periodical check is required as the deterioration of speaker may progress depending on the installation environments.

## SPECIFICATIONS

Enclosure	Sealed type
Power Handling Capacity	Continuous pink noise: 200 W, Continuous program: 600 W
Rated Impedance	8 Ω
Sensitivity (1 W, 1 m)	96 dB (60° mode), 97 dB (45° mode), 98 dB (30° mode), 99 dB (15° mode) *
Frequency Response	95 Hz - 20 kHz (-10 dB) (60° mode), 100 Hz - 20 kHz (-10 dB) (45° mode), 105 Hz - 20 kHz (-10 dB) (30° mode), 110 Hz - 20 kHz (-10 dB) (15° mode)
Crossover Frequency	4 kHz
Directivity Angle	Horizontal: 100° (2 kHz or more) Vertical: 60° (800 Hz or more), 45° (1.2 kHz or more), 30° (1.6 kHz or more), 15° (3.2 kHz or more) variable
Speaker Component	Low frequency: 12 cm cone-type × 4, High frequency: Balanced dome-type × 12
Speaker Cord	2-core cabtyre cord with diameter of 6 mm
Water Protection	IPX4 (Install with the every speaker module downward.)
Operating Temperature	-15 °C to +50 °C
Finish	Enclosure: Polypropylene, black Punched net: Surface-treated steel plate, black, rust proof coating
Dimensions	408 (W) × 546 (H) × 342 (D) mm
Weight	16 kg
Accessory	Hanging bracket ×2, Hex. wrench ×1
Option	Matching transformer: MT-200 Speaker mounting bracket: HY-PF1WP, HY-CW1WP, HY-WM1WP, HY-WM2WP, HY-CN1B-WP

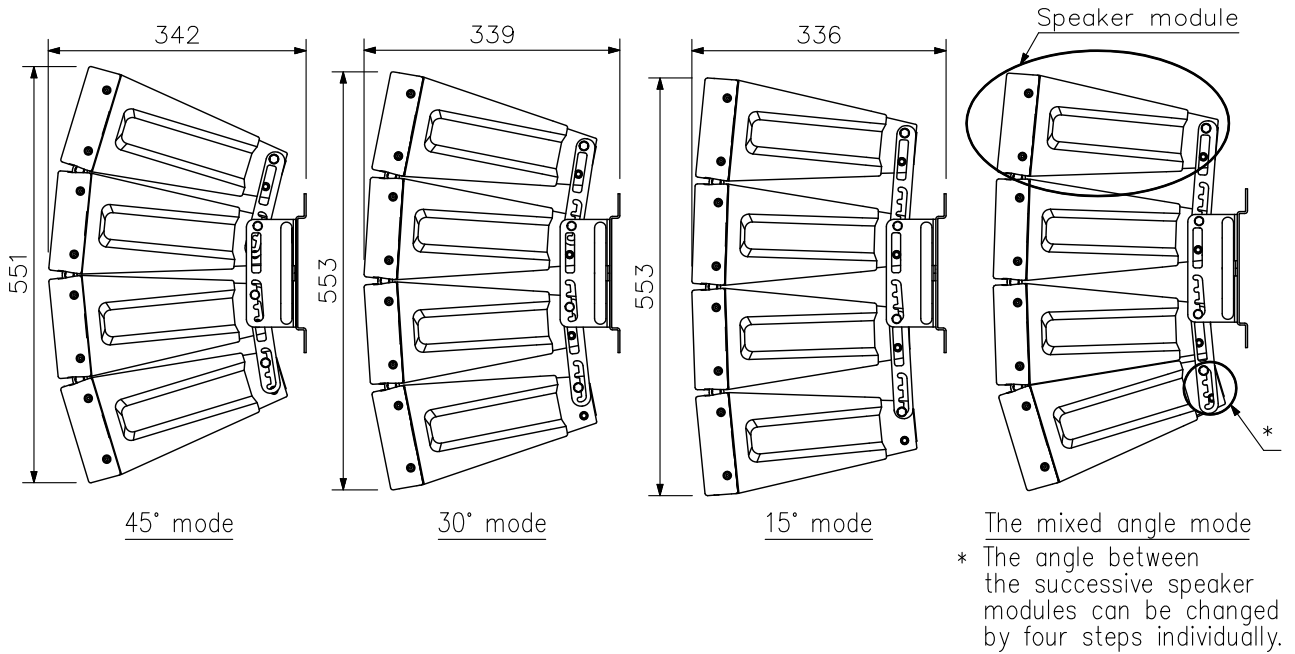
## APPEARANCE

\* (Factory-preset: 60° mode)

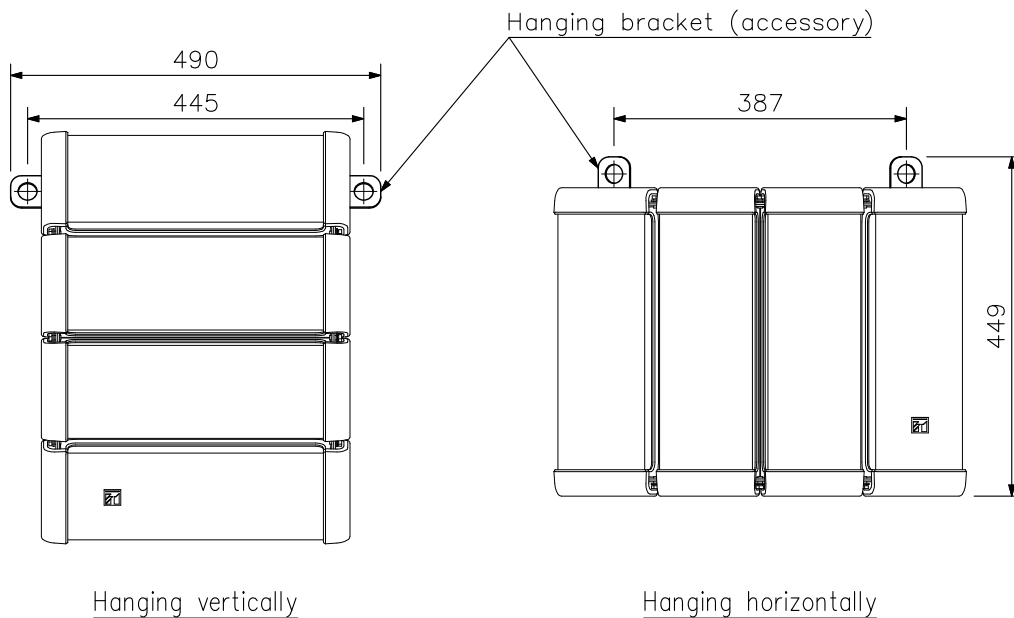


■ **APPEARANCE**

Example for adjustment of the directivity angle



Example for hanging bracket mounting



Note: Every speaker module must be aimed horizontally or down to keep the weather resistant capability.

UNIT: mm    SCALE: 1/10