

## FB-601B AS

### SUBWOOFER



FB-601B Subwoofer is a subwoofer conform to the design of the commercial space. It can be temporarily or permanently installed and are capable of reinforcing the projection of ideal acoustic sounds.

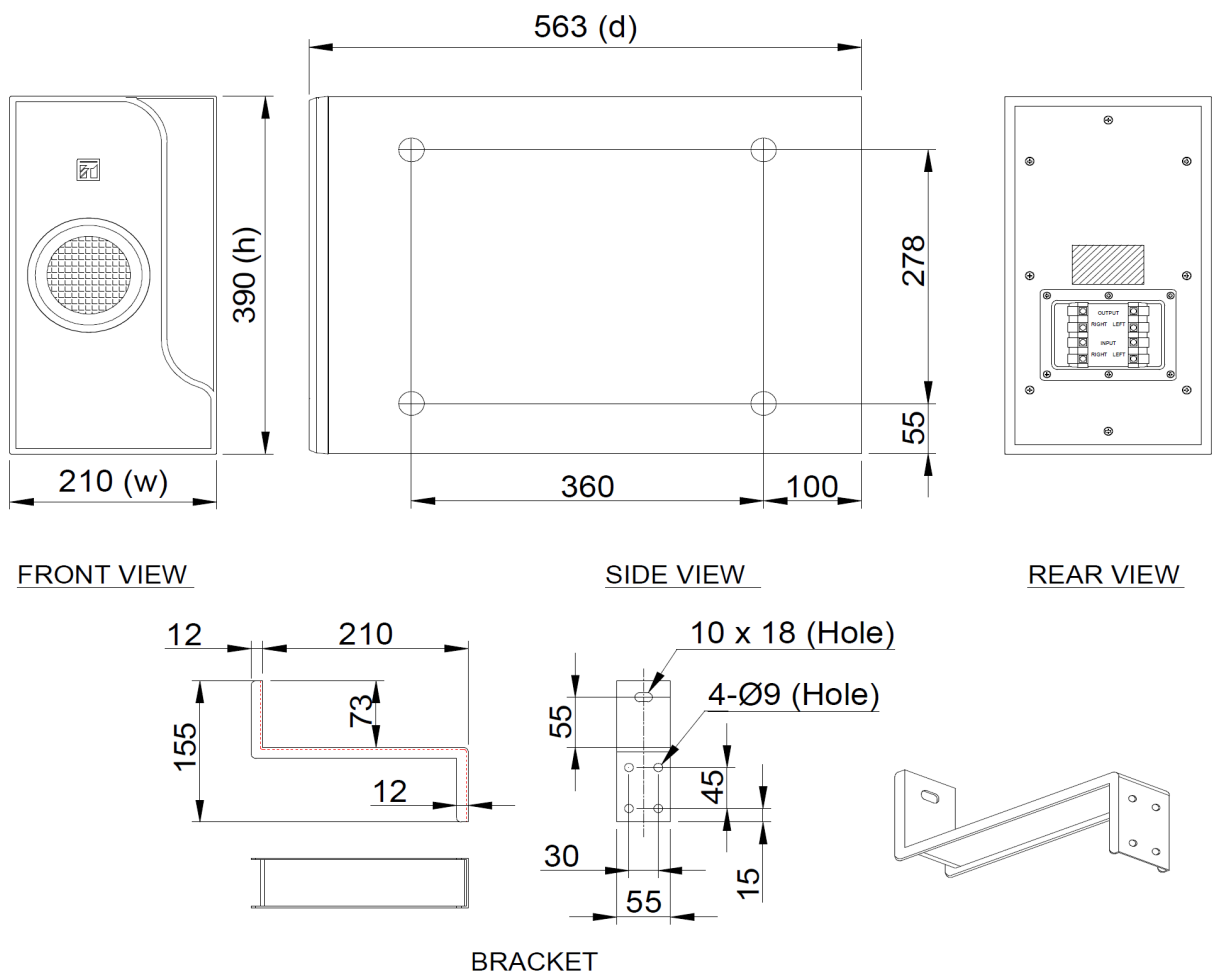
### Key features

- Compact in dimension and compatible for in-door use.
- Amount of connected speakers to the unit is selectable by using switch in rear side.
- Wall mount, ceiling mount or floor stand application (with standard bracket and accessories)

## Specifications

|                      |   |
|----------------------|---|
| Sensitivity (1W, 1m) | 85 dB (L channel or R channel)  |
| Frequency Response   | 40 Hz - 190 Hz (-10 dB below SPL) (L channel or R channel)  |
| Speaker Component    | Double subwoofer: 16 cm (6") cone-type  |
| Input Terminal       | Push-In Terminals (8 connected terminal poles)  |
| Finish               | Speaker cabinet: Particle board with vinyl, black<br>Front cover: ABS resin, black<br>Speaker bracket: Steel plate, black paint |
| Dimensions           | 210 (W) x 390 (H) x 563 (D) mm  |
| Weight               | 11.5 kg (without bracket)   |
| Included Accessories | Rubber Foot x 4, Speaker Mounting Bracket x 4, Tapping Screws (3 x 14) x 4  |

## Dimensions



Units : mm