

The PC-2668 speaker can be mounted (exposed installation) to the ceiling where flush mounting is impossible. It can be easily installed thanks to its spring catch method. Push-in connector allows quick wire connection, and speaker lines can be bridged by bridging terminals. The supplied bracket can be mounted to a flush-mount pull box.

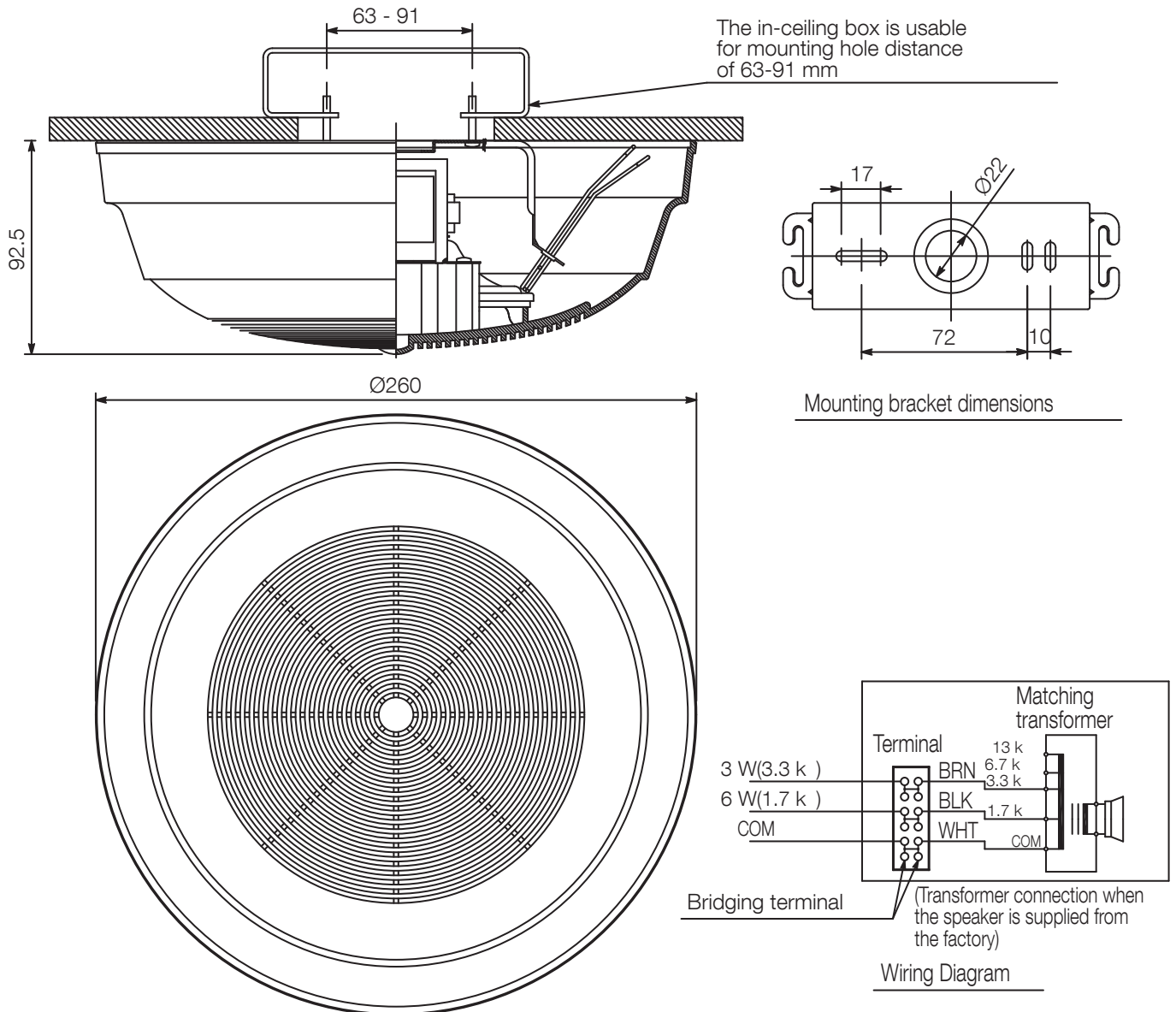


Order no: PC-2668

Specifications

Frequency response	100 Hz - 16 kHz
Sensitivity (1#V, 1#n) (combined)	90 dB
Speaker component	12 cm dynamic cone-type
Rated input	6 W
Tappings	6 / 3 / 1.5 / 0.8 W (100 V), 3 / 1.5 / 0.8 / 0.4 W (70 V)
Dimensions (W x H x D)	x 202
Dimensions (ø x D)	260 x 202 mm
Finish	ABS resin, off-white (RAL 9010 or equivalent)

Appearance



UNIT:mm

SCALE:1/3

[Note] Use transformer terminals when changing input impedance.