

# **SPLASHPROOF CEILING SPEAKER PC-3CL**


Please follow the instructions in this manual to obtain the optimum results from this unit.  
We also recommend that you keep this manual handy for future reference.


## ■ SAFETY PRECAUTIONS

- Be sure to read the instructions in this section carefully before use.
- Make sure to observe the instructions in this manual as the conventions of safety symbols and messages regarded as very important precautions are included.
- We also recommend you keep this instruction manual handy for future reference.

### **Safety Symbol and Message Conventions**

Safety symbols and messages described below are used in this manual to prevent bodily injury and property damage which could result from mishandling. Before operating your product, read this manual first so you are thoroughly aware of the potential safety hazards as well as understand the safety symbols and messages.

 **WARNING** Indicates a potentially hazardous situation which, if mishandled, could result in death or serious personal injury.

 **CAUTION** Indicates a potentially hazardous situation which, if mishandled, could result in moderate or minor personal injury, and/or property damage.

### **WARNING**

#### **When Installing the Unit**

- Install the unit only in a location that can structurally support the weight of the unit and the mounting bracket. Doing otherwise may result in the speaker falling down and causing personal injury and/or property damage.
- Be sure to tighten screws when mounting the speaker. If not tightened, the screws may come off due to a vibration, etc. and the speaker may fall, resulting in personal injuries.

### **CAUTION**

#### **When the Unit is in Use**

- Do not operate the speaker for an extended period of time with the sound distorting. This is an indication of a malfunction, which in turn can cause heat to generate and result in a fire.

## ■ GENERAL DESCRIPTION

The PC-3CL is a splashproof, flush-mounted ceiling speaker. Its ideal applications include clean rooms and hotel bath rooms.

## ■ HANDLING PRECAUTIONS

The PC-3CL speaker can also be used in wet sauna rooms. However, do not install it in dry sauna rooms.

## ■ INSTALLATION

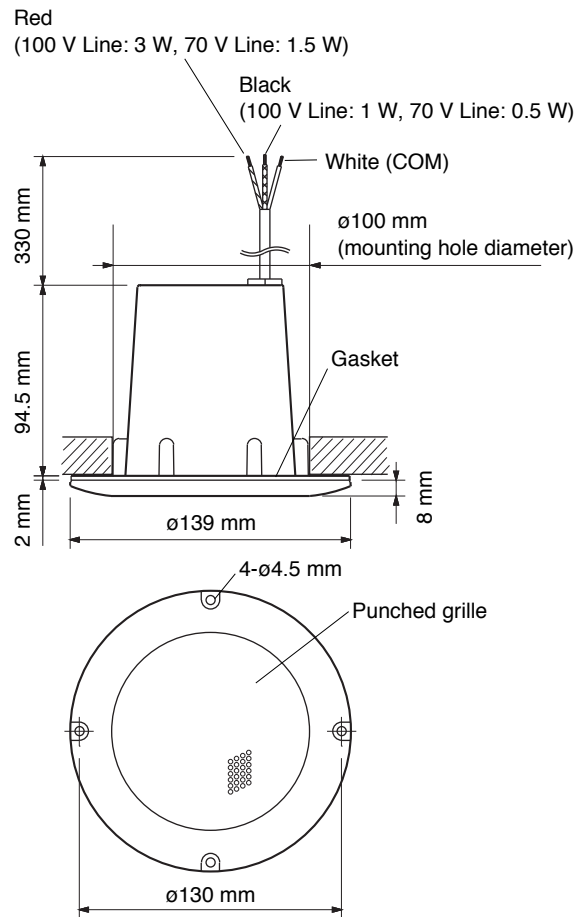
1. Make a 100 mm diameter hole in a ceiling. (It is possible to use the supplied pattern paper for a 100 mm diameter hole.)
2. Attach the supplied gasket to the panel.
3. Connect the input cable to the speaker cable.

100 V Line	COM	HOT
3 W connection	White	Red
1 W connection	White	Black

70 V Line	COM	HOT
1.5 W connection	White	Red
0.5 W connection	White	Black

4. Using the four supplied speaker mounting screws (4x15), secure the speaker to the ceiling.

**Caution:** Ensure that the ceiling surface is strong (equivalent to the plywood thicker than 5 mm) enough to hold the screws.



## ■ SPECIFICATIONS

Rated Input	3 W
Rated Impedance	3.3 kΩ (100 V Line: 3 W, 70 V Line: 1.5 W) 10 kΩ (100 V Line: 1 W, 70 V Line: 0.5 W)
Output Sound Pressure Level	87 dB (1 W, 1 m)
Frequency Response	150 – 20,000 Hz
Operating Temperature Range	-20°C to +60°C
Dust/Water Protection	IP64
Finish	Frame: ABS resin, chrome plating Punched grille: Stainless steel
Mounting hole diameter	100 mm
Dimensions	ø 139 x 104.5 (d) mm
Weight	550 g

**Note :** The design and specifications are subject to change without notice for improvement.

### • Accessories

Gasket (silicon rubber) .....	1
Speaker mounting screw .....	4
Pattern paper (ø100 mm hole) .....	1

### Traceability Information for Europe

Manufacturer:  
TOA Corporation  
7-2-1, Minatojima-Nakamachi, Chuo-ku, Kobe, Hyogo,  
Japan

Authorized representative:  
TOA Electronics Europe GmbH  
Suederstrasse 282, 20537 Hamburg,  
Germany