

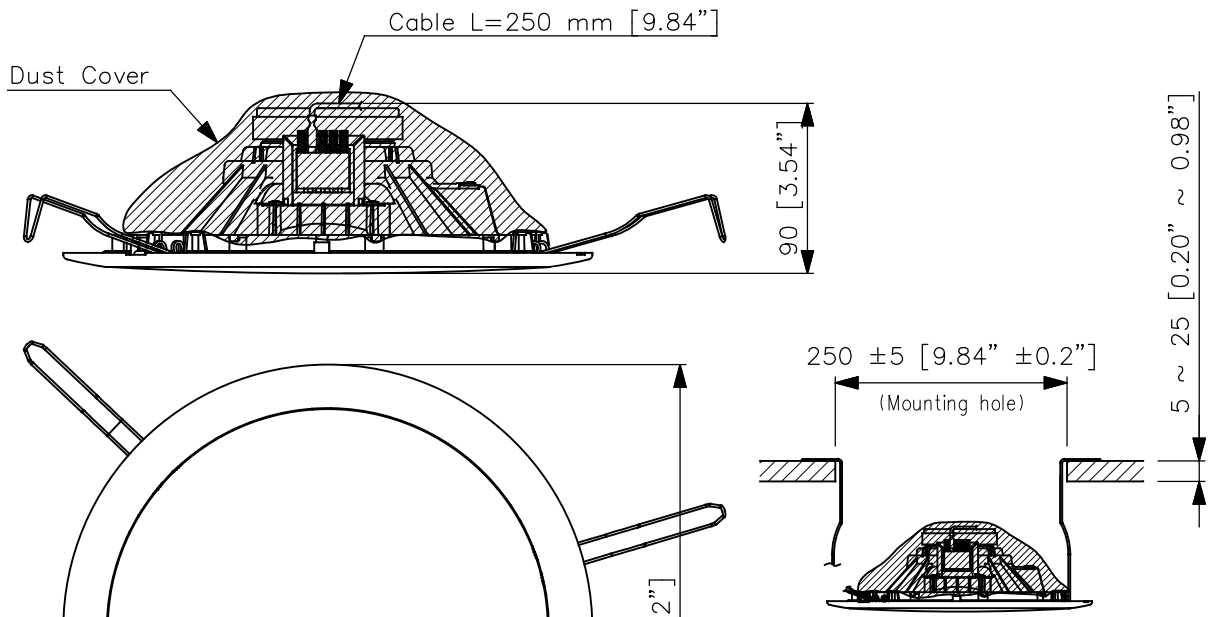
### DESCRIPTION

Integrated with a resin panel and speaker frame, the PC-668R-AS is the ceiling mount speaker with a spring clamp. It features a spring clamp mechanism for easy speaker mounting to ceiling. The input impedance can be easily changed by changing the tap of the transformer.

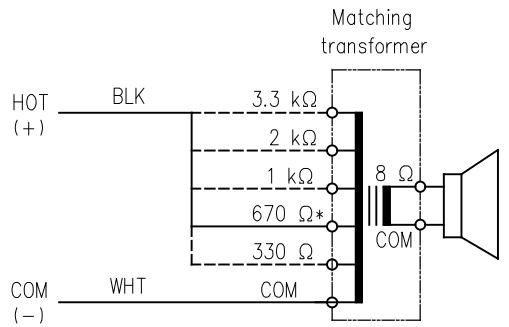
### SPECIFICATIONS

Rated Input	15 W (100 V, 70 V line)
Impedance option	100 V line: 670 Ω (15 W), 1 kΩ (10 W), 2 kΩ (5 W), 3.3 kΩ (3 W) 70 V line: 330 Ω (15 W), 670 Ω (7.5 W), 1 kΩ (5 W), 2 kΩ (2.5 W), 3.3 kΩ (1.5 W)
Sensitivity	96 dB (Pink Noise 500 Hz ~ 5,000 Hz / 1 W, 1 m)
Frequency Response	65 - 20,000 Hz (at 20 dB below peak SPL)
Speaker Component	20 cm (8") double cone type
Speaker Mounting Method	Spring clamp
Dimension for Fixing Hole	Mounting hole : $\phi 250 \pm 5$ mm ( $\phi 9.84" \pm 0.2"$ ) Ceiling thickness : 5 ~ 25 mm (0.20" ~ 1.98")
Finish	Panel : Polypropylene resin, traffic - white (RAL 9016 or equivalent color) Grille : Surface - treated steel plate net, traffic - white (RAL 9016 or equivalent color), paint
Dimensions	$\phi 280 \times 90$ (D) ( $11.02" \times 3.54"$ )
Weight	0.96 kg (2.12 lb)
Accessories	Paper pattern .....1

### APPEARANCE



Mounting diagram  
(Scale 1/4)



Wiring Diagram \* Factory preset

UNIT: mm SCALE: 1/2