

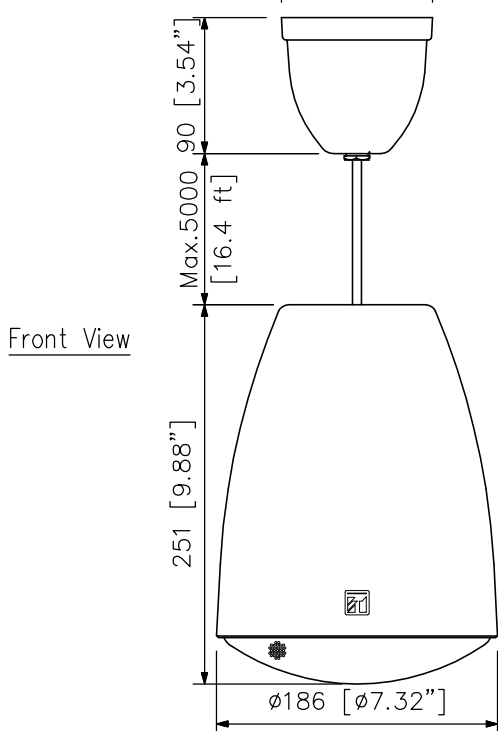
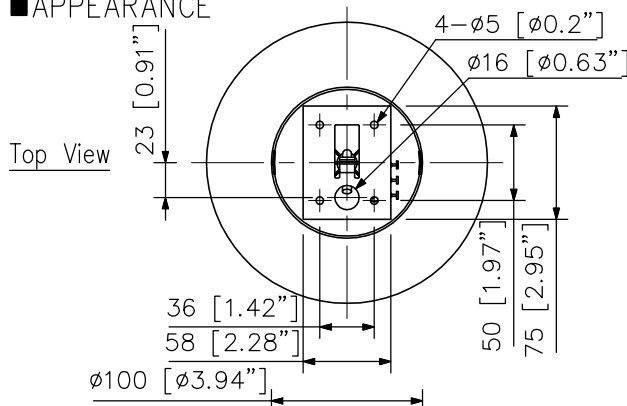
## DESCRIPTION

The PE-304 is a pendant speaker designed for ceiling suspension installations. Considered in architectural design, it can blend in with lighting equipment. A directly-attached 5 m (16.4 ft) cable allows the speaker to be suspended from the high ceiling. The PE-304 is driven on both high-impedance (100 V and 70 V) and low-impedance (8 Ω) lines. The input power (impedance) can be easily changed at the upper side of the speaker. The speaker is easy to repaint so as to meet a wide range of design needs.

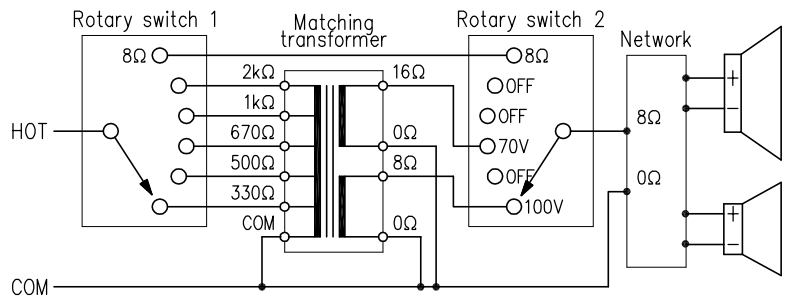
## SPECIFICATIONS

Enclosure	Bass-reflex type
Rated Input	30 W (100 V, 70 V line, 8 Ω)
Rated Impedance	100 V line: 330 Ω (30 W), 500 Ω (20 W), 670 Ω (15 W), 1 kΩ (10 W), 2 kΩ (5 W) 70 V line: 170 Ω (30 W), 250 Ω (20 W), 330 Ω (15 W), 500 Ω (10 W), 1 kΩ (5 W) 8 Ω
Sensitivity	91 dB (1 W, 1 m) (500 - 5,000 Hz, pink noise)
Frequency Response	70 - 20,000 Hz (peak -20 dB)
Speaker Component	12 cm (5") cone-type + balanced dome-tweeter
Speaker Cord	2-core cable cord 5 m (16.4 ft)
Applicable Cable	600 V vinyl-insulated cable (IV wire or HIV wire) Solid copper wire: $\phi 0.8 - \phi 1.6$ mm (equivalent to AWG 20 - 14) 7-core twisted copper wire: 0.75 - 1.25 mm <sup>2</sup> (equivalent to AWG 18 - 16)
Connection	Push-in connector (bridging terminal-2 branch type)
Finish	Enclosure: HIPS resin, off-white (RAL 9010 or equivalent color) Grille: Surface-treated steel plate net, off-white (RAL 9010 or equivalent color), paint
Dimensions	$\phi 186 \times 251$ (H) mm ( $\phi 7.32" \times 9.88"$ ) (unit only)
Weight	2.1 kg (4.63 lb) (unit only)
Accessory	Ceiling bracket ...1, Mounting hanger ...1, Ceiling cover ...1, Speaker mounting screw (4 x 16)...4

## APPEARANCE

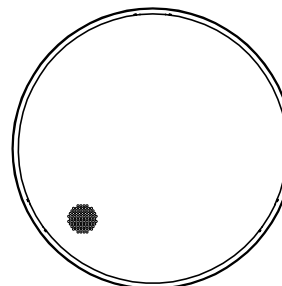


UNIT:mm SCALE:1/5



(Factory-preset wiring)  
Note: Never connect the 8 Ω terminal to the 100 V or 70 V line.

Wiring Diagram



Bottom View