



## Evolution Wireless Digital EW-DP ME-2 SET | Lavalier Set



Portable digital UHF wireless microphone system with ME 2 omnidirectional lavalier or ME 4 cardioid lavalier for filmmakers, content creators, and broadcasters.

### FEATURES

- Fully digital UHF wireless microphone system for video applications
- Integrated Bluetooth for synchronization and control
- Smart Notifications for troubleshooting and system guidance
- Intelligent battery management provides operating time (hours:minutes)
- Extended battery life: up to 12h on transmitter, 7h on receiver
- Magnetically stackable components for versatile mounting
- Industry leading 134 dB dynamic range for distortion free transmission
- Up to 56 MHz bandwidth for flexibility in any RF environment
- Exceptionally low latency (1.9 ms)
- External charging and powering via USB-C (receiver only)
- Smart Assist app for monitor & control
- Optional plug-on transmitter features XLR & 3.5 mm inputs, +48V & recording via microSD (ENG Set or component only)

### DELIVERY INCLUDES

- EW-DP EK digital portable single channel receiver
- EW-D SK digital bodypack transmitter
- ME 2 omnidirectional lavalier microphone
- Mounting kit (Mounting plate, cold shoe, belt clip & screws)
- BA 70 li-ion battery & (2) AA battery
- Locking 3.5 mm TRS plug to 3.5 mm TRS plug cable
- Locking 3.5 mm TRS plug to XLR plug cable
- USB-C charging cable



# Evolution Wireless Digital

## EW-DP ME-2 SET | Lavalier Set

### SPECIFICATIONS

System	
Audio link frequency ranges	Q1-6 470.2 – 526 MHz R1-6 520 – 576 MHz R4-9 552 – 607.8 MHz S1-7 606.2 – 662 MHz S4-7 630 – 662 MHz S7-10 662 – 693.8 MHz T1/7 694.5 – 702.7 MHz & 748.3 – 757.7 MHz T12 806.125 – 809.750 MHz T13-14 819.2 – 823.0 MHz U1/5 823.2 – 831.8 MHz & 863.2 – 864.8 MHz V3-4 925.2 – 937.3 MHz Y1-3 1785.2 – 1799.8 MHz
Bluetooth® Low Energy (BLE) frequency range	2402 - 2480 MHz
Audio frequency response	20 Hz - 20 kHz (-3 dB) @ 3 dBfs
Audio THD	≤ -60 dB for 1 kHz @ -3 dBfs input level
Dynamic range	134 dB
System latency	1.9 ms
Operating temperature	-10 °C - +55 °C (14 °F - 131 °F)
Relative humidity	5 - 95 % (non-condensing)
EW-DP EK	
Input voltage	~ 1.8 - 4.35 V
Input current	Typ. < 250 mA / Max. < 400 mA (BA 70) Typ. < 400 mA / Max. < 750 mA (2x AA batteries) < 300 mA@ 5 V (USB-C standalone)
Power Supply	2x AA batteries 1.5 V or BA 70 rechargeable battery pack or USB-C PD power supply (max.): <ul style="list-style-type: none"><li>• 5 V / 1500 mA</li><li>• 9 V / 900 mA</li><li>• 12 V / 700 mA</li></ul>
Transmit power (radiated)	BLE: max. 10 mW EIRP
Audio output power	< 2 dBV max. (high level) / < 4 dBu max (high level)
Headphone Output	< 50 mW into 16 Ohms
Dimensions	86 x 67 x 28 mm (3.39" x 2.64" x 1.1")
Weight (without antennas and power supply)	approx. 140g (0.31 lbs)

EW-D SK (Bodypack Transmitter)	
Input voltage	2.0 - 4.35 V
Input current	< 300 mA
Power supply	2 AA batteries 1.5 V (alkali manganese) or BA 70 rechargeable battery pack
Occupied bandwidth	200 kHz
Transmit power (radiated)	Audio link: 10 mW ERP (Range Y1-3: 12 mW ERP) BLE: max. 10 mW EIRP
Dimensions (without antenna)	63 x 80 x 20 mm (2.48" x 3.15" x 0.79")
Weight (without batteries)	approx. 120 g (0.26 lbs)

ME 2 (Lavalier Microphone)	
Transducer principle	pre-polarized condenser microphone
Pick-up pattern	omni-directional
Sensitivity (free field, no load) (1 kHz)	17 mV/Pa
Max. SPL at 1 kHz	130 dB
Frequency response	50 to 18,000 Hz
Equivalent noise level A-weighted	32 dB
Connector	3.5 mm jack
Cable length	approx. 1.60 m (62.99")
Supply voltage	7.5 V



# Evolution Wireless Digital

## EW-DP ME-2 SET | Lavalier Set

### MICROPHONE COMPATIBILITY

#### Lavalier and headset microphones compatible with the EW-D SK bodypack transmitter

<b>ME 2</b>	Omni-directional lavalier microphone Models produced from 2021 onward, featuring a gold-plated connector*
<b>ME 4</b>	Cardioid lavalier microphone Models produced from 2021 onward, featuring a gold-plated connector*
<b>MKE Essential Omni</b>	Omni-directional lavalier microphone
<b>MKE 2 Gold</b>	Omni-directional lavalier microphone Models produced from 2018 onward, featuring a blue serial number plate
<b>MKE 1</b>	Omni-directional lavalier microphone
<b>ME 3</b>	Cardioid headset microphone Models produced from 2021 onward, featuring a gold-plated connector*
<b>HSP Essential Omni</b>	Omni-directional headset microphone
<b>HSP 2</b>	Omni-directional headset microphone Models produced from March 2020 onward (featuring code 1090 or later)
<b>HS 2</b>	Omni-directional headset microphone Models produced from 2021 onward, featuring a gold-plated connector*
<b>SL Headmic 1</b>	Omni-directional headset microphone

\* Models produced prior to 2021 will feature a nickel connector. Earlier models may pick up noise when placed close to the transmitter and are not recommended for use

### PRODUCT VARIANTS

<b>EW-DP ME-2 SET (Q1-6)</b>	470.2 – 526 MHz	Art. no. 700010
<b>EW-DP ME-2 SET (R1-6)</b>	520 – 576 MHz	Art. no. 700011
<b>EW-DP ME-2 SET (R4-9)</b>	552 – 607.8 MHz	Art. no. 700012
<b>EW-DP ME-2 SET (S1-7)</b>	606.2 – 662 MHz	Art. no. 700013
<b>EW-DP ME-2 SET (S4-7)</b>	630 – 662 MHz	Art. no. 700014
<b>EW-DP ME-2 SET (S7-10)</b>	662 – 693.8 MHz	Art. no. 700015
<b>EW-DP ME-2 SET (T1/7)</b>	694.5 – 702.7 MHz & 748.3 – 757.7 MHz	Art. no. 700463
<b>EW-DP ME-2 SET (T12)</b>	806.125 – 809.750 MHz	Art. no. 700464
<b>EW-DP ME-2 SET (T13-14)</b>	819.2 – 823.0 MHz	Art. no. 700465
<b>EW-DP ME-2 SET (U1/5)</b>	823.2 – 831.8 MHz & 863.2 – 864.8 MHz	Art. no. 700016
<b>EW-DP ME-2 SET (V3-4)</b>	925.2 – 937.3 MHz	Art. no. 700018
<b>EW-DP ME-2 SET (Y1-3)</b>	1785.2 – 1799.8 MHz	Art. no. 700019

### ACCESSORIES

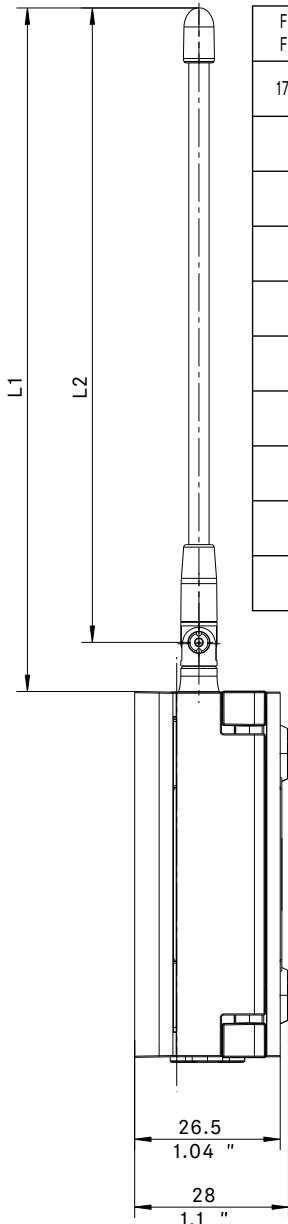
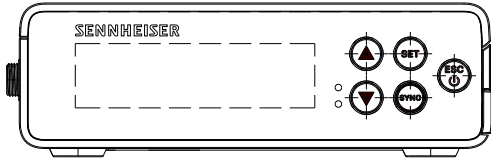
<b>Mounting Plate Set</b>	Mounting kit for EW-DP (Mounting plate, mounting screws, cold shoe mount, allen key, and belt clip)	Art. no. 700005
<b>Mounting Plate</b>	Single mounting plate	Art. no. 588188
<b>CL35</b>	3.5 mm to 3.5 mm TRS coiled cable	Art. no. 586365
<b>CL35-Y</b>	3.5 mm to dual-3.5 mm TRS coiled cable	Art. no. 700061
<b>CL35XLR</b>	3.5 mm to XLR plug coiled cable	Art. no. 700062
<b>BA 70</b>	Rechargeable battery pack for SK and SKM-S	Art. no. 508860
<b>L 70 USB</b>	Charger for BA 70 rechargeable battery pack	Art. no. 508861
<b>EW-D CHARGING SET</b>	Set of L 70 USB charger and 2 BA 70 rechargeable battery packs	Art. no. 508862



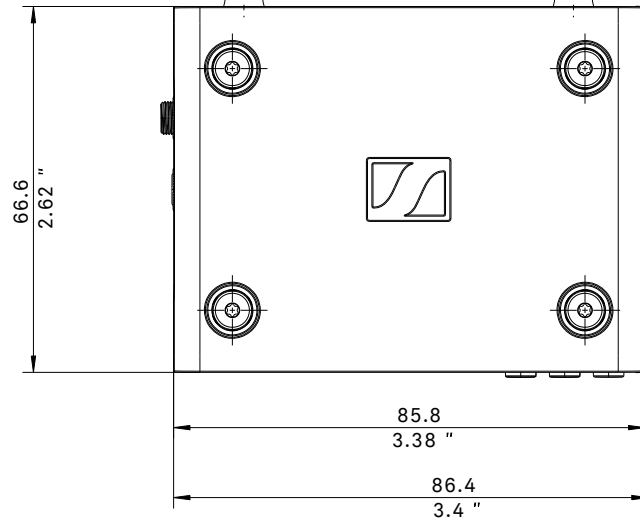
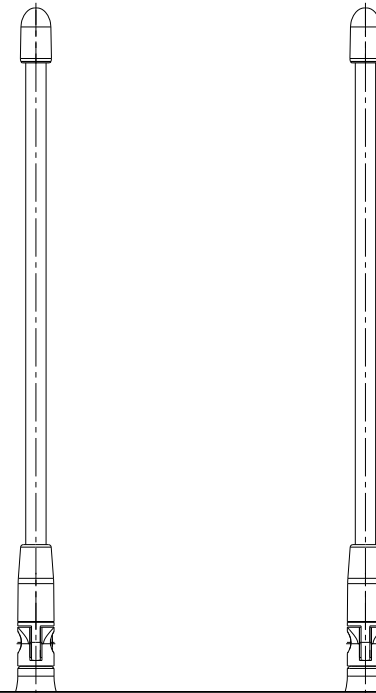
# Evolution Wireless Digital EW-DP ME-2 SET | Lavalier Set

## DIMENSIONS

### EW-DP EK



Frequenzbereich Frequency range	L1	L2
1785.2 - 1799.8 MHz	34.6 / 1.36"	-
925-937.5 MHz	74.4 / 2.93"	65.5 / 2.58"
902-928 MHz	74.4 / 2.93"	65.5 / 2.58"
823-832 MHz / 863-865 MHz	84.4 / 3.32"	75.5 / 2.97"
662-694 MHz	190.8 / 7.51"	85.5 / 3.37"
630-662 MHz	94.4 / 3.72"	85.5 / 3.37"
606-662 MHz	94.4 / 3.72"	85.5 / 3.37"
552-608 MHz	109.4 / 4.3"	100.5 / 3.9"
520-576 MHz	109.4 / 4.3"	100.5 / 3.9"
470.2-526 MHz	124.4 / 4.9"	115.5 / 4.55"



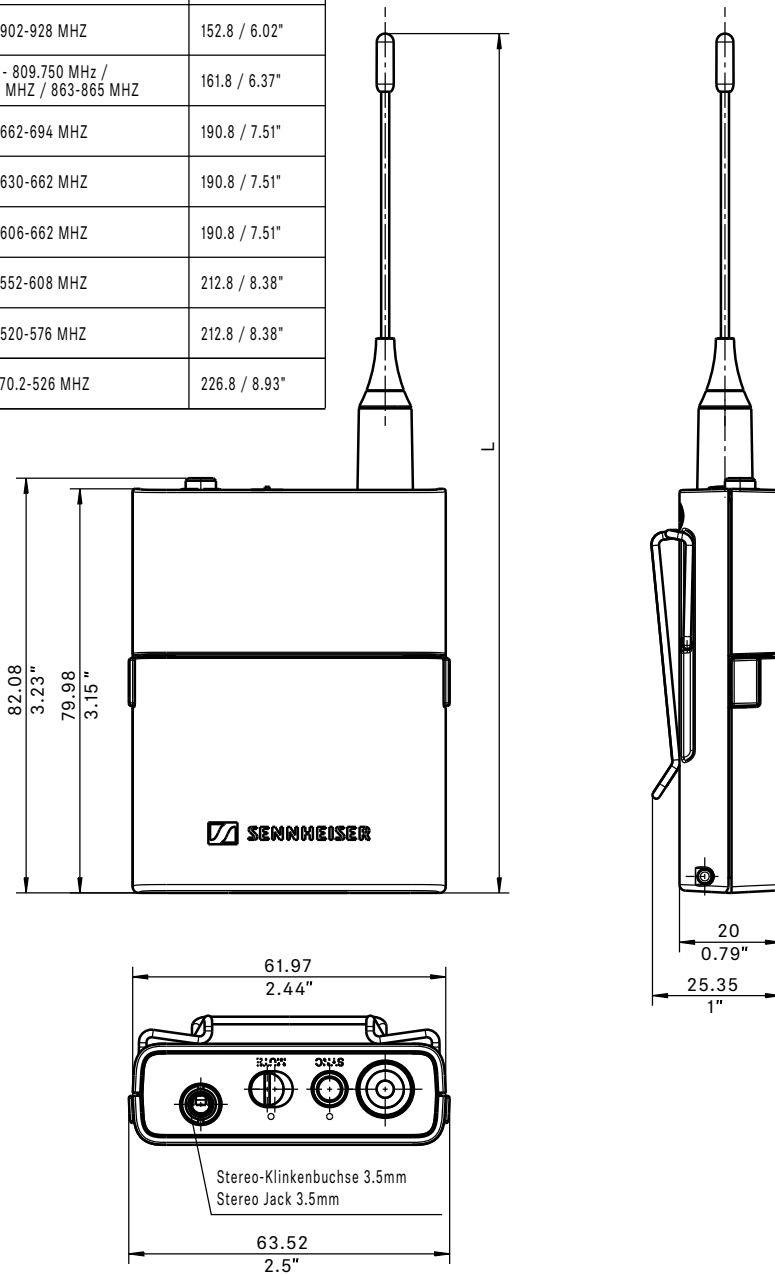


# Evolution Wireless Digital EW-DP ME-2 SET | Lavalier Set

## DIMENSIONS

### EW-D SK

Frequenzbereich Frequency range	L
1785-1805 MHz	198.8 / 7.83"
925-937.5 MHz	152.8 / 6.02"
902-928 MHz	152.8 / 6.02"
806.125 - 809.750 MHz / 823-832 MHz / 863-865 MHz	161.8 / 6.37"
662-694 MHz	190.8 / 7.51"
630-662 MHz	190.8 / 7.51"
606-662 MHz	190.8 / 7.51"
552-608 MHz	212.8 / 8.38"
520-576 MHz	212.8 / 8.38"
470.2-526 MHz	226.8 / 8.93"

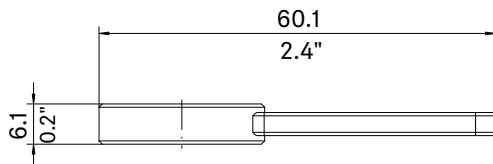
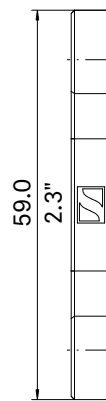
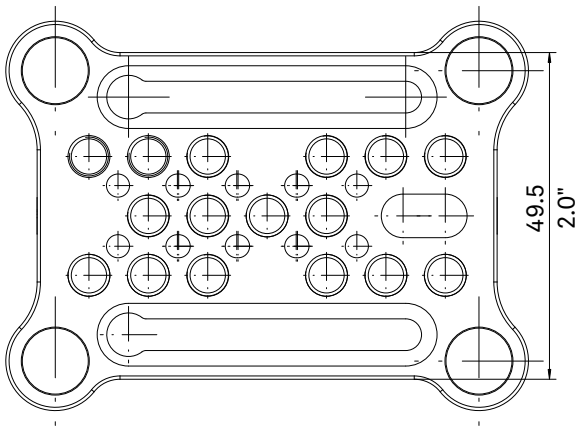
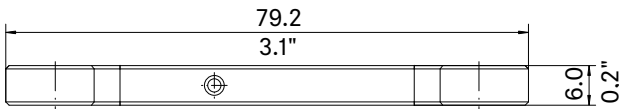




# Evolution Wireless Digital EW-DP ME-2 SET | Lavalier Set

## DIMENSIONS

### Mounting Accessories



Montagemaße in Anlehnung an ISO 518  
Mounting dimensions according to ISO 518

