

### DESCRIPTION

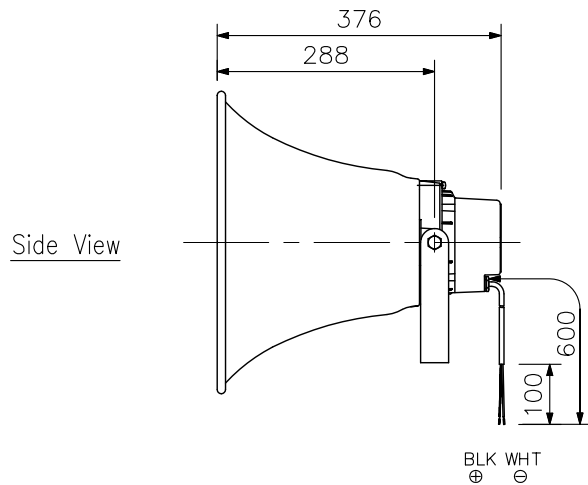
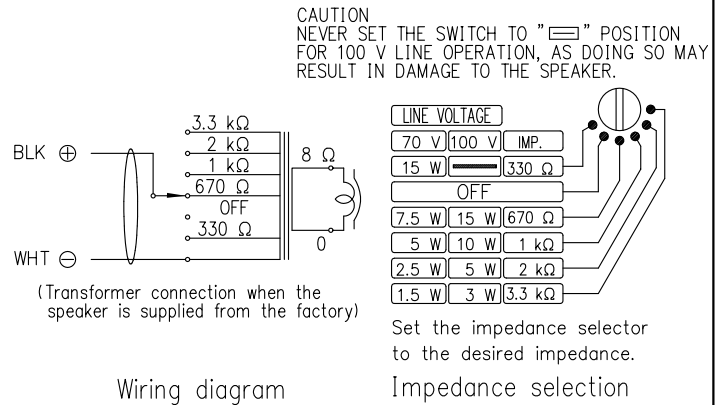
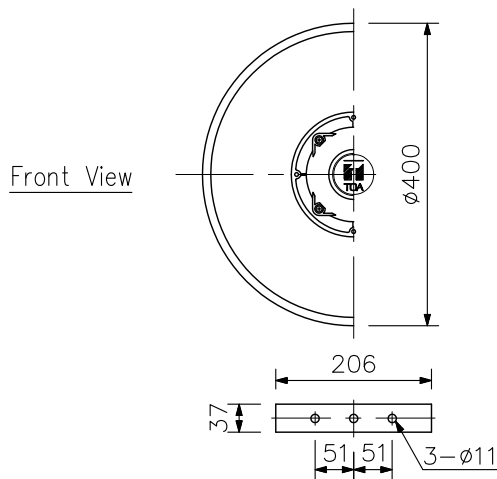
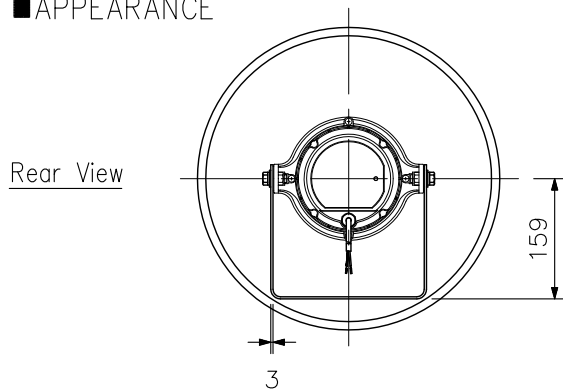
The TC-615M is a highly intelligible, general-purpose speaker suited to public address announcement applications. Its external speaker component finished with powder coating, and stainless steel screws ensure the unit's weatherproof capability.

### SPECIFICATIONS

|                       |  |
|-----------------------|--|
| Rated Input           | 15 W   |
| Line Voltage          | 100 V line or 70 V line  |
| Rated Impedance       | 100 V line: 670 Ω (15 W), 1 kΩ (10 W), 2 kΩ (5 W), 3.3 kΩ (3 W)<br>70 V line: 330 Ω (15 W), 670 Ω (7.5 W), 1 kΩ (5 W), 2 kΩ (2.5 W), 3.3 kΩ (1.5 W)  |
| Sound Pressure Level  | 108 dB (1 W, 1 m)  |
| Frequency Response    | 250 Hz – 7 kHz   |
| Dust/Water Protection | IP65   |
| Polarity              | Hot: Black, Com: White   |
| Operating Temperature | -20 °C to +55 °C (must be free from dew condensation)  |
| Finish                | Horn flare: Aluminum, off-white, powder coating<br>Reflector horn: ABS resin, off-white<br>Bracket holder: Aluminum, gray, powder coating<br>Bracket: Steel, gray, powder coating<br>Rear cover: ABS resin, gray<br>Screw and bolts: Stainless steel<br>Speaker Cable: Polyvinyl chloride insulated cabtyre cable (6 mm in diameter, 600 mm in length) |
| Dimensions            | ∅400 (W) × 376 (D) mm  |
| Weight                | 3.2 kg   |

Note: Avoid installing the speaker in locations which vibrate considerably, or under environments easy to be oil-contaminated.

### APPEARANCE



UNIT: mm SCALE: 1/10