

DESCRIPTION

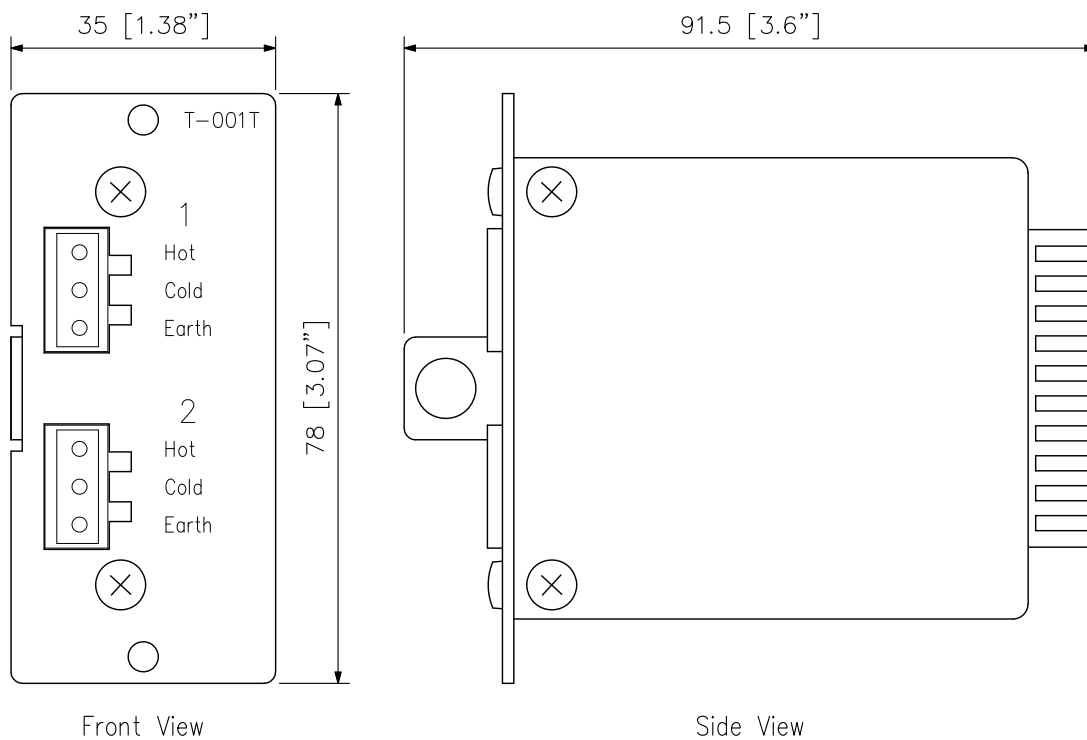
The T-001T is a plug-in module designed for use with the 9000 Series amplifiers and can provide two independent balanced outputs. It can drive load of 600 Ω up to +16 dB. It can process effect for TONE/EQ/COMPRESSOR to two outputs independently..

SPECIFICATIONS

* 0 dB = 1 V

Power Source	+24 V DC, -24 V DC, +6 V DC
Current Consumption (Typ)	35 mA (at +24 V DC), 35 mA (at -24 V DC), 75 mA (at +6 V DC)
Output	2 channels, max. +20 dB* (at 10 kΩ load), 600 Ω, electronically-balanced, removable terminal block (3 pins)
Frequency Response	20 Hz - 20 kHz, +1, -3 dB
Total Harmonic Distortion + N	0.01 % (at 1 kHz, A-weighted, 10 kΩ load)
S/N Ratio	73 dB or more (at A-weighted)
Residual Noise	-91 dB or less (at A-weighted, VOL: -70 dB)
Cross Talk	less than -87 dB (at 20 kHz)
D/A Converter	24 bit ΔΣDAC
Sampling Frequency	48 kHz
Tone Control	Bass: ±12 dB (at 100 Hz) Treble: ±12 dB (at 10 kHz)
Parametric Equalizer	10 bands, Frequency: 20 Hz - 20 kHz, 31 points, Variable range: ±12 dB, Q: 0.3 - 5
Speaker Equalizer	10 (setup software has 30 TOA speaker presets)
High-pass Filter	-12 dB/oct, Variable frequency range: 20 Hz - 20 kHz, 31 points
Low-pass Filter	-12 dB/oct, Variable frequency range: 20 Hz - 20 kHz, 31 points
Compressor	Depth: 1 - 5
Delay	0 - 40 ms (1 ms step), maximum 40 ms (CH 1 + CH 2), mixer mode only
Operating Temperature	-10 °C to +40 °C
Finish	Panel: Aluminum, hair-line
Dimensions	35 (W) × 78 (H) × 91.5 (D) mm (1.38" × 3.07" × 3.6")
Weight	84 g (0.19 lb)
Accessory	Removable terminal plug (3 pins) ×2, Module mounting screw ×2

APPEARANCE



UNIT:mm SCALE:1/1