



LONG RANGE ARRAY SPEAKER 120W

HA-2120EN

The HA-2120EN is certified to the European Standard EN 54-24: 2008, Loudspeaker for voice alarm systems for fire detection and fire alarm systems. In compliance with the British Standard BS 5839-8: 2008. DoP number is 23-104.

DESCRIPTION

The HA-2120EN is composed of multiple horn speakers positioned in an array. It is a highly efficient speaker. Clear voice can be transmitted to a distant place without acoustic correction. The built-in high-pass filter cuts the bass that can damage the speaker. Drip-proof structure, and a salt-resistant paint finish, it has excellent durability in an outdoor permanent environment.

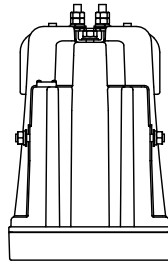
SPECIFICATIONS

Rated Input	120 W
Rated Impedance	100 V line: 83 Ω (120 W), 170 Ω (60 W) 70 V line: 42 Ω (120 W), 83 Ω (60 W)
Sensitivity	113 dB (1 W, 1 m) (500 Hz – 5 kHz, IEC60268-5)
Max. SPL	133 dB (120 W, 1 m) (500 Hz – 5 kHz, IEC60268-5)
Frequency Response	500 Hz – 4.3 kHz (-10 dB) 290 Hz – 8 kHz (-20 dB)
Speakers Component	Horn speaker unit × 3
IP code	IP66
EN 54-24 specifications	Sensitivity: 91 dB (1 W, 4 m) Max. SPL: 110 dB (120 W, 4 m) Coverage Angle (-6 dB): Horizontal: 200° (500 Hz), 120° (1 kHz), 65° (2 kHz), 40° (4 kHz) Vertical: 80° (500 Hz), 40° (1 kHz), 20° (2 kHz), 15° (4 kHz) Environmental Type: B (outdoor applications) IP Code: IP33C
Speaker Cable	4-core cabtyre cord 2 m (6.56 ft)
Cable Gland	Size: PG 13.5 – 12 (gray) ...1 Cable Diameter Range: 12.5 – 6.5 mm (0.49" – 0.26") Size: PG 13.5 – 08 (black) ...1 Cable Diameter Range: 9 – 4.5 mm (0.35" – 0.18") Two cable glands are factory-installed.
Input Terminal	Ceramic terminal (3-pole), can be bridge-connected ...1 Ceramic terminal (2-pole) ...1 Thermal fuse is included.
Applicable Wire Size	For Ceramic terminal (3-pole) Conductor: Solid wire or 7-core wire No bridge connection: 0.8 – 10 mm ² (AWG 18 – 7) for solid wire, 0.8 – 8 mm ² (AWG 18 – 8) for 7-core wire Bridge connection: 0.8 – 2.5 mm ² (AWG 18 – 13) for solid wire, 0.8 – 1.5 mm ² (AWG 18 – 15) for 7-core wire
Operating Temperature	-20 °C to +55 °C (-4 °F to 131 °F)
Finish	Case: FRP, white (RAL 9016 equivalent), paint Front grille: Aluminum, white (RAL 9016 equivalent), paint Bolts: Stainless steel
Dimensions	215 (W) × 555 (H) × 309 (D) mm (8.46" × 21.85" × 12.17") (excluding projection)
Weight	16 kg (35.27 lb) (unit only)
Accessory	Terminal box ...1
Option	Speaker mounting bracket: YS-1100A

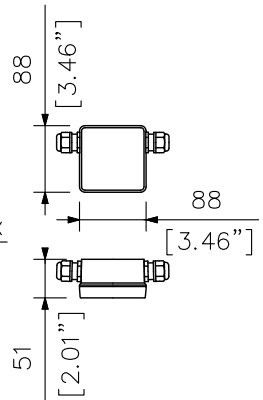
Notes: The speaker must be installed upright or facing down. Installing the speaker in any other position may render the drainage hole ineffective, eventually leading to an electrical failure or other damage.

■ APPEARANCE

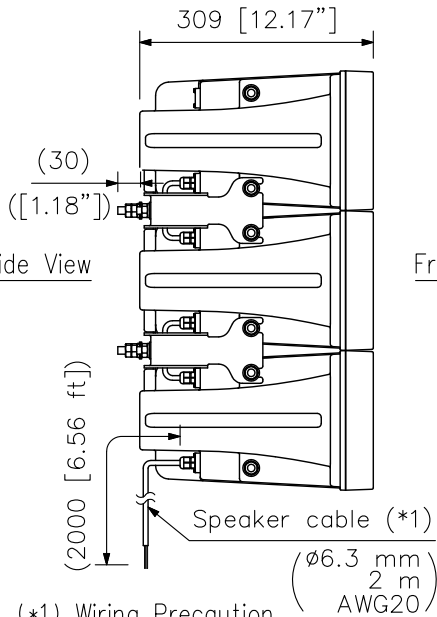
Top View



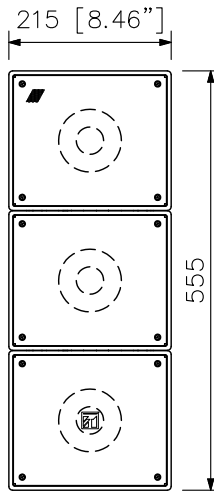
Terminal box
(Accessory)



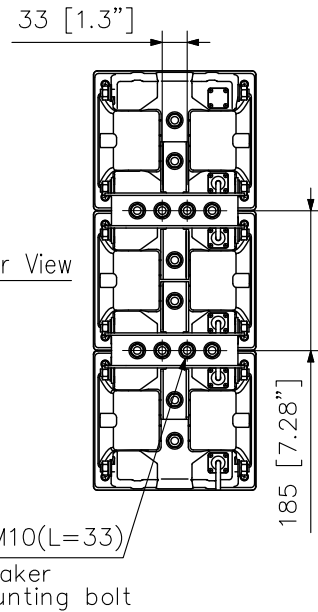
Side View



Front View

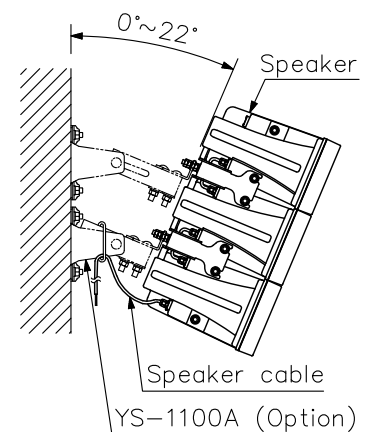
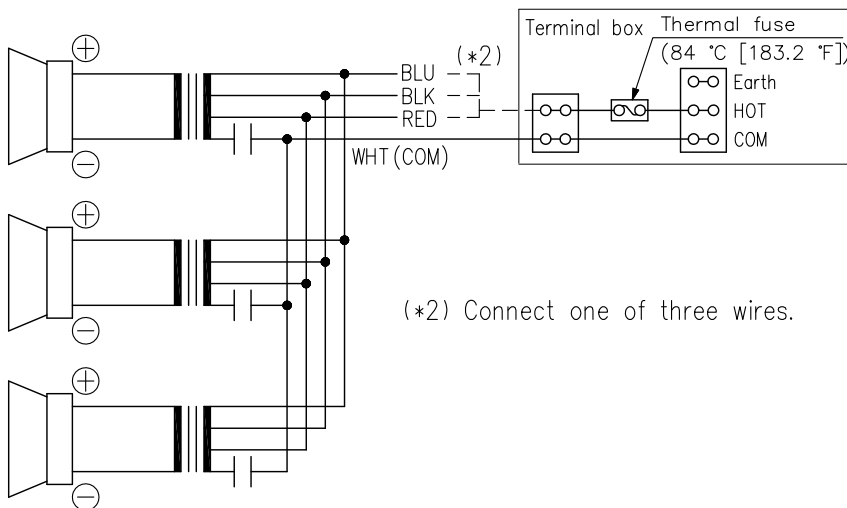


Rear View



(*1) Wiring Precaution

Cut off or securely insulate any excess wires. Failure to do so could cause short circuits that might result in failures of the speaker or connected amplifier.



	Imp.	100 V line	70 V line
RED	42 Ω	—	120 W
BLK	83 Ω	120 W	60 W
BLU	170 Ω	60 W	—
WHT		COM	

Wiring Diagram

Note: Route the speaker cables in as short a configuration as possible by securing them to nearby brackets or other firmly fixed parts. Longer wiring distances may result in cable breakage due to strong winds or other potentially harmful conditions.

Speaker mounting example

UNIT:mm SCALE:1/10

Note: Numerical values in parentheses are for reference only.