



AT-303AP

ATTENUATOR

The AT-303AP is a flush-mounted wall attenuator and uses a transformer which allows connection of a wide range of loads (30 W or less). Volume can be adjusted in five steps. The AT-303AP features push-in terminal block for easy connection.



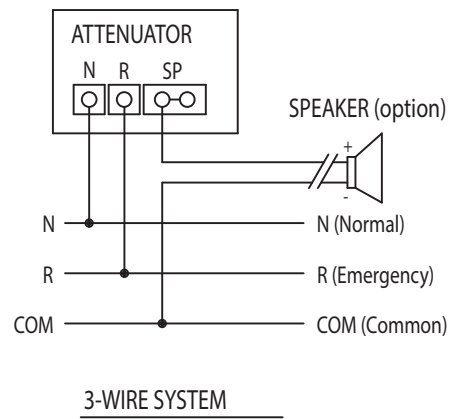
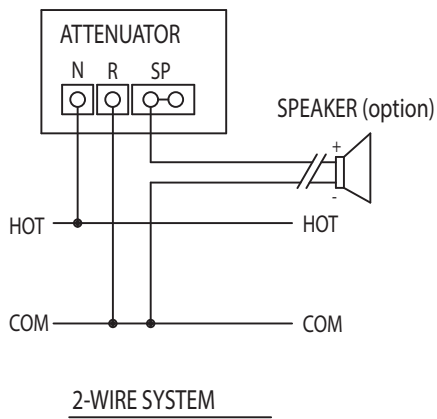
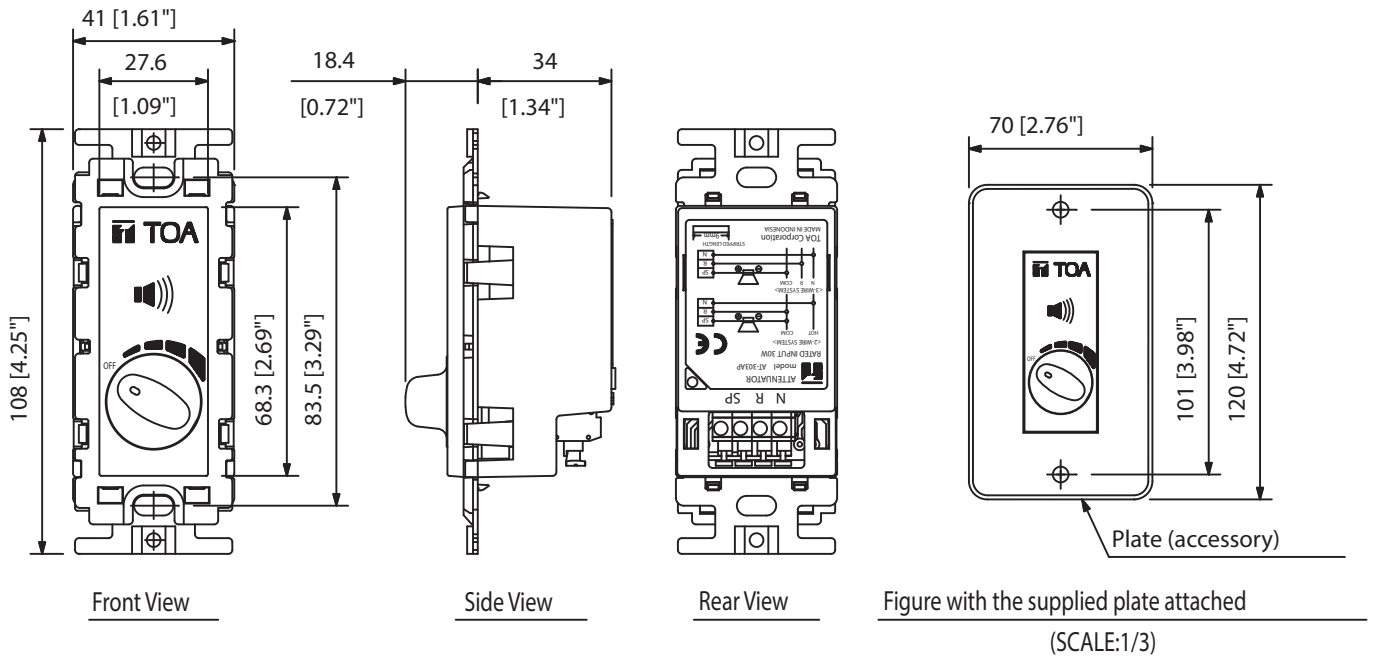
Article number:AT-303AP

Specifications

Finish	ABS resin, white,
Operating temperature	-10 °C to +50 °C

We supply sound, not equipment.
www.toa.eu.

Appearance



UNIT:mm SCALE:1/2