

■ **DESCRIPTION**

The TS-791L-AS is a Chairman unit for TOA Conference System. The compact and lightweight design makes it easy to install and store. Placing the speech button in the ON position allows a chairman to speak and disables the speaker to prevent feedback. If the speech button is placed in the OFF position, the microphone cannot be used but the speaker is turned on, allowing the voices from delegate units (TS-792L-AS) to be monitored. By pressing the priority button, the chairman unit can take precedence over any delegate units.

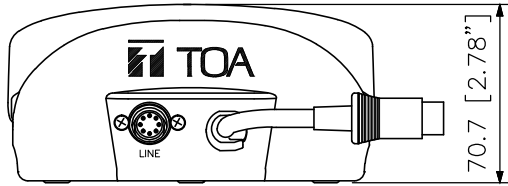
The TS-791L-AS chairman unit come with a long microphone as a standard accessory.

■ **SPECIFICATIONS**

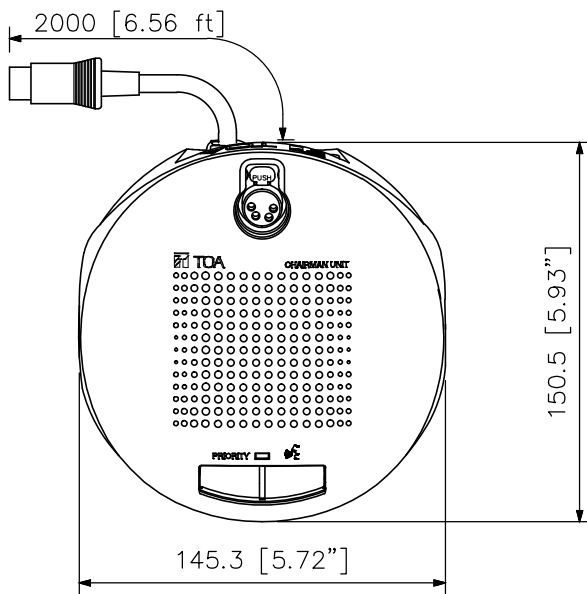
* 0 dB = 1 V

Power Source	36 V DC, 30 mA or less (supplied from the Central Unit TS-7912D-AS, TS-7912DW-AS)
Output	Headphone/Recording: $\phi 3.5$ mm, mini jack (3P: monaural) X 2 Monitor speaker: 130 Ω , 200 mW
Control	Speech: Microphone, speaker on-off control by speech button Priority: Microphone, speaker on-off, other microphone cut off and single-tone chime activation by priority button Volume control: Headphone/Recording and monitor speaker volume adjustable X 2
Microphone unit (Accessory)	Electret condenser microphone Directivity: Unidirectional Impedance: 1.8 k Ω Sensitivity: -37 dB (1 kHz 0 dB = 1 V/Pa) Frequency response: 100 Hz - 13 kHz LED Indicator: Speech indicator (ring type) Blue Length : 518 mm Weight: 105 g (0.23 lb)
Operating Temperature	0 °C to +40 °C (32 °F to 104 °F)
Operating Humidity	90 %RH or less (no condensation)
Finish	Upper case: ABS resin, dark grey, paint Lower case: ABS resin, black, paint
Dimension	145.3 (W) X 70.7 (H) X 150.5 (D) mm (5.72" X 2.78" X 5.93") (Excluding microphone unit)
Weight	800 g (1.76 lb) (Excluding microphone unit)
Accessory	Long microphone unit.....1
Option	Extension cord: YR-790-3-AS, YR-790-10-AS

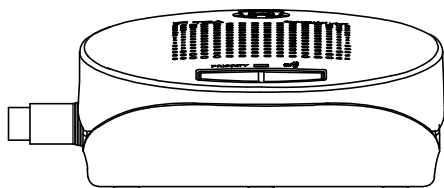
■ APPEARANCE



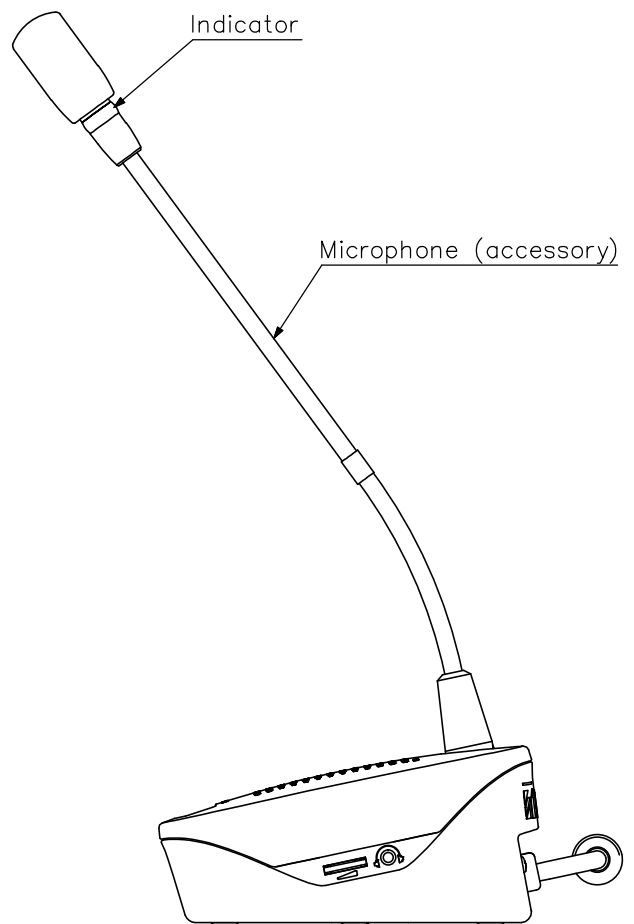
Rear View



Top View



Front View



Side View

UNIT: mm SCALE: 1/3