

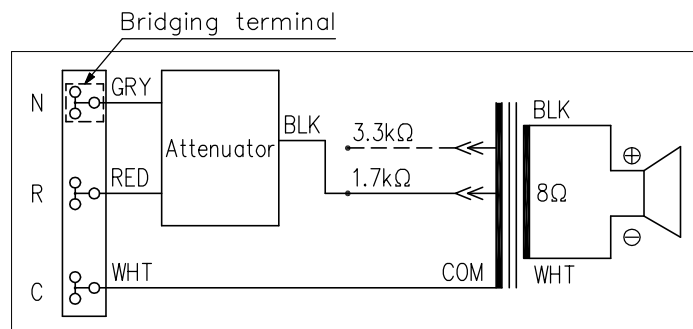
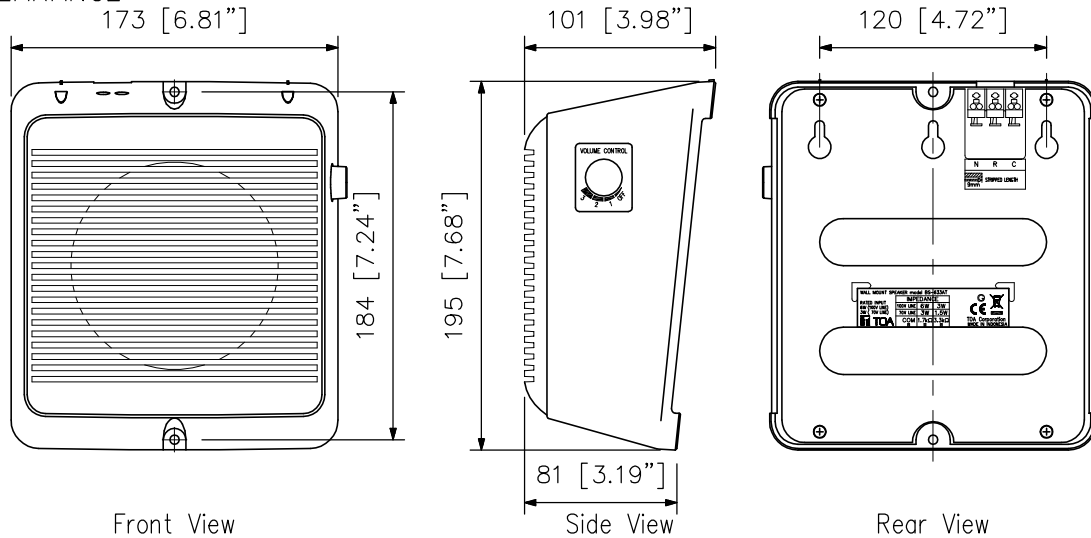
DESCRIPTION

The BS-633AT is wall mount speaker made of ABS resin and can be hooked or mounted directly on the wall. The push-in type input terminal makes cable connections easy and allows bridge wiring. The input impedance can be easily changed by changing the tap position of the transformer from the rear side of the speaker. The BS-633AT has a built-in attenuator and can be connected to a 2-wire and 3-wire systems.

SPECIFICATIONS

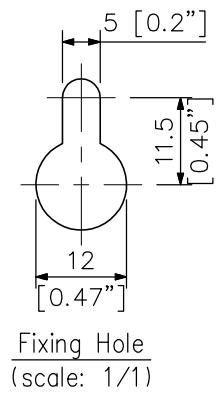
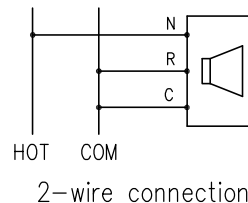
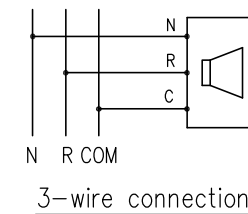
| | |
|--------------------------|---|
| Rated Input | 6 W (100 V line), 3 W (70 V line) |
| Rated Impedance | 100 V line: 1.7 kΩ (6 W), 3.3 kΩ (3 W) 70 V line: 1.7 kΩ (3 W), 3.3 kΩ (1.5 W) |
| Sensitivity | 91 dB (1 W, 1 m) |
| Frequency Response | 120 - 15,000 Hz (-20 dB) |
| Speaker Component | 12 cm (5") cone-type |
| Applicable Cable | 600 V vinyl-insulated cable (1V wire or HIV wire) Solid copper wire: $\phi 0.8 - \phi 1.6$ mm (equivalent to AWG 20 - 14) 7-core twisted copper wire: 0.75 - 1.25 mm ² (equivalent to AWG 18 - 16) |
| Connection | Push-in connector (bridging terminal) |
| Attenuation Level | 3 W: OFF, 1 (-12 dB), 2 (-6 dB), 3 (0 dB) 6 W: OFF, 1 (-13 dB), 2 (-7 dB), 3 (0 dB) |
| Operating Temperature | -10°C to +50°C (14°F to 122°F) |
| Finish | Case: ABS resin, off-white Rear board: Hard board |
| Dimensions | 173 (W) × 195 (H) × 101 (D) mm (6.81" × 7.68" × 3.98") (excluding volume control) |
| Wall Mounting Dimensions | Case front mount: 184 mm (7.24") Fixing hole mount: 120 mm (4.72") |
| Weight | 810 g (1.79 lb) |
| Accessory | Speaker mounting screw (4 × 35 (0.16" × 1.38")) ... 2, Speaker mounting screw (4 × 16 (0.16" × 0.63")) ... 2 |

APPEARANCE



(Transformer connection when the speaker is supplied from the factory)

(Note) Use transformer terminals when changing input impedance.



UNIT:mm SCALE:1/4