

# TOA MEGAPHONE (WITH WHISTLE SIGNAL) ER-2230W/(EU)

## DESCRIPTION

The ER-2230W is a shoulder megaphone having facilities of EXT. mic input, an AUX input, a DC power input, a battery meter whistle sound. It can be mounted to the optional ST-16A speaker stand. The newly developed polyimide diaphragm is employed to ensure high sound quality.

## SPECIFICATIONS

(\*1) 0 dB = 1 V

|                              |  |
|------------------------------|--|
| Power Source                 | Battery: R20P (D) × 10 (15 V DC)<br>External Power: 12 V DC Battery  |
| Rated Output                 | 30 W   |
| Maximum Output               | 45 W   |
| Signal Sound                 | Whistle (1.6 to 2.4 kHz)   |
| Battery Life                 | Voice: Approx. 17 hours (JEITA (*2)), Whistle: Approx. 90 min. (JEITA (*2))  |
| Audible Range                | Voice: Approx. 800 m (JEITA (*2)), Whistle: Approx. 1000 m (JEITA (*2))  |
| AUX Input Sensitivity        | -10 dB (*1) (300 mV), 10 kΩ (ø3.5 mini jack, stereo plug acceptable), volume control   |
| EXT. Mic Input               | 600 Ω, unbalanced, ø6.3 phone jack, volume control   |
| Diaphragm                    | Polyimide film (voice coil, bobbin)  |
| Remaining Battery Indication | LED (also serves as a power indicator)<br>Steady ON: Normal use, Flashing: Batteries need replacement  |
| Operating Temperature        | -10 °C to +40 °C   |
| Finish                       | Horn ring: Vinyl chloride, gray<br>Horn: Aluminum, light gray, paint<br>Case top: Die-cast aluminum, gray, paint<br>Strap: Nylon, black, Others: ABS resin, gray |
| Dimensions                   | ø351 × 512 mm  |
| Weight                       | 3.6 kg (without batteries), Microphone: 150 g  |
| Accessory                    | ø3.5 mini plug (AUX input)---1, External power supply cord (1 m)---1, Splash-proof cover---1 (*3)  |
| Option                       | Speaker stand: ST-16A, Microphone: DM series   |

(\*2) JEITA: Japan electronics and information technology industries association. (EIAJ TT-4501A)

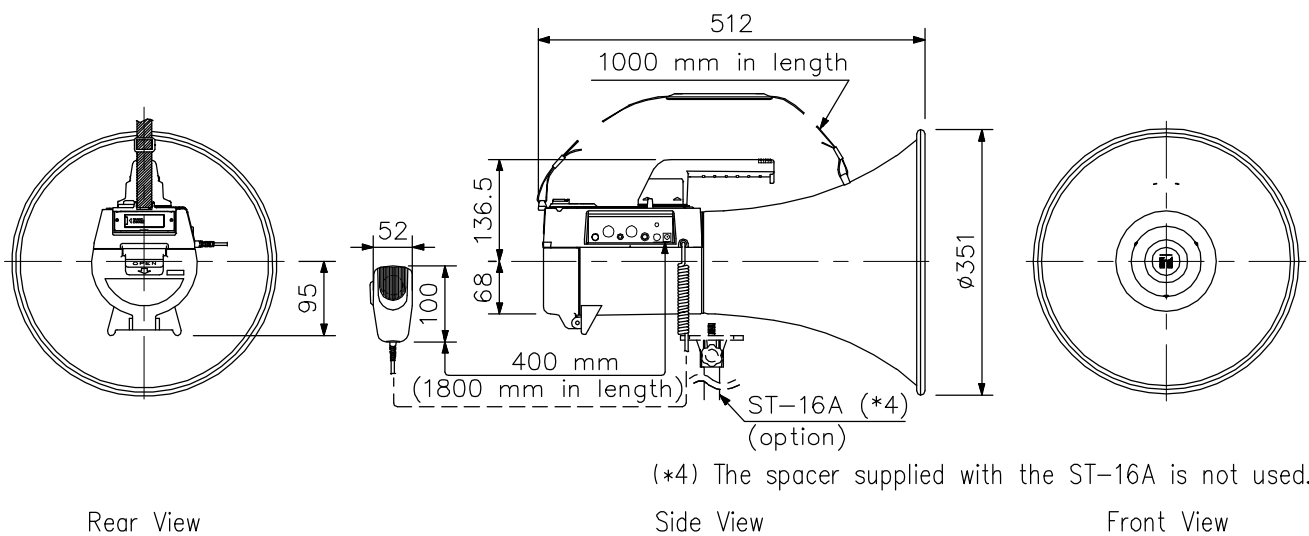
(\*3) Do not use the unit in heavy rains or strong winds, or in locations where the unit is directly exposed to water even using with the supplied splash-proof cover.

Note: Batteries are optional.

## APPEARANCE

<Note on the audible range and battery life>

1. The indications of the audible range and battery life are based on the JEITA Standard (\*2).
2. Audible Range presumes that the megaphone employs new batteries and is used on a quiet street. It varies depending on such conditions as battery consumption, ambient noise, wind direction and obstacles.
3. Battery Life assumes that megaphone is used for 30 minutes a day.



(\*4) The spacer supplied with the ST-16A is not used.

Rear View

Side View

Front View

UNIT:mm SCALE:1/10