

LB1-CW06-x Corner Cabinet Loudspeakers

www.trungchinhaudio.vn

TCA
TRUNG CHINH AUDIO



BOSCH
Invented for life



- u Good speech intelligibility and background music reproduction
- u Special shape for mounting in corners
- u Available in black or white
- u MDF construction
- u Compliancy with international installation and safety regulation

The LB1-CW06-x is a 6 W, general-purpose cost-effective loudspeaker for indoor use. Two brackets with keyholes, fixed on one side provide quick and easy mounting in corners between two walls, or between a wall and ceiling. The cabinet is available in black or white.

Functions

The robust, solid MDF (Medium Density Fiber board) enclosures are covered with a durable, easy-to-clean vinyl in white or black. The ABS fronts are covered with fine woven cloth in matching color.

The cabinet shapes allow installation in corners between walls, and between wall and ceiling.

Certifications and approvals

All Bosch loudspeakers are designed to withstand operating at their rated power for 100 hours in accordance with IEC 268-5 Power Handling Capacity (PHC) standards. Bosch has also developed the Simulated Acoustical Feedback Exposure (SAFE) test to demonstrate that they can withstand two times their rated power for short durations. This ensures extra reliability under extreme conditions, leading to

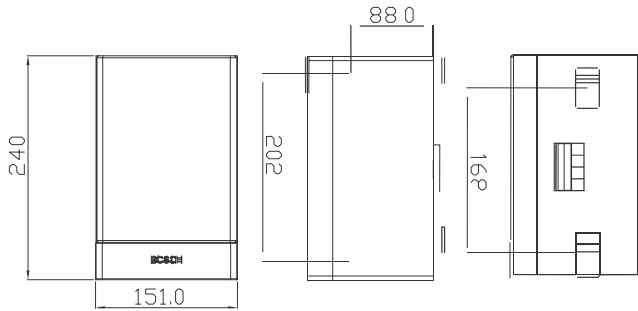
higher customer satisfaction, longer operating life, and much less chance of failure or performance deterioration.

Safety acc. to EN 60065

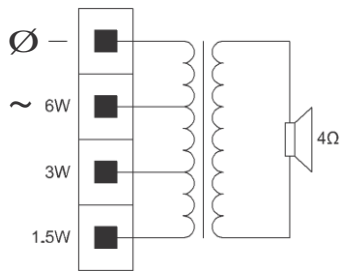
Installation/configuration notes

Two keyhole brackets at one side of the cabinet are provided for easy and quick wall mounting. The other side of the cabinet is provided with two rubber feet for absorbing unwanted vibrations and secure mounting.

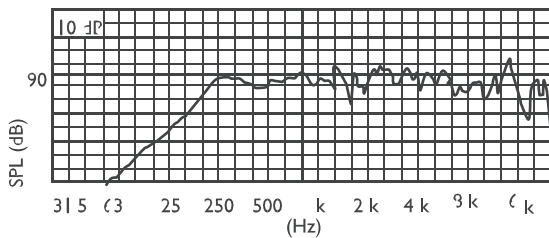
A convenient easy-to-use, 4-pole push-in terminal block is present on the side for on-site wiring. This terminal block has provision for power tapping on the 100-volt, matching transformer in the cabinet. It allows selection of nominal full-power, half-power, or quarter-power radiation (in 3 dB steps).



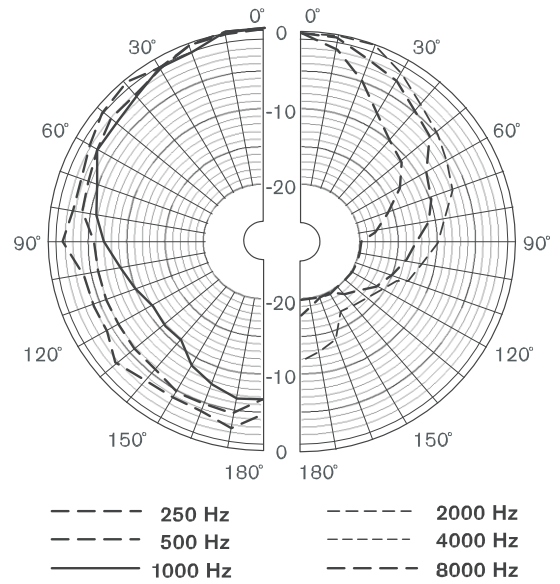
Dimensions in mm



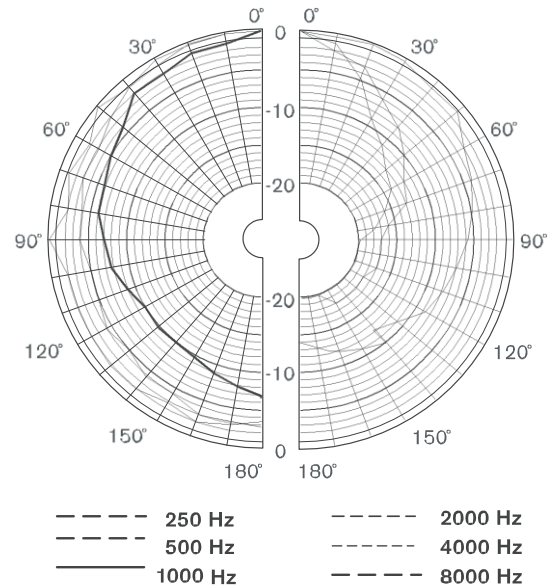
Circuit diagram



Frequency response



Polar diagram horizontal (measured with pink noise)



Polar diagram vertical (measured with pink noise)

Technical specifications

Electrical*

Maximum power	9 W
Rated power	6 / 3 / 1.5 W
Sound pressure level at 6 W / 1 W (1 kHz, 1 m)	99 dB / 91 dB (SPL)
Effective frequency range (-10 dB)	180 Hz to 20 kHz

Opening angle	1 kHz / 4 kHz (-6 dB)
horizontal	165° / 95°
vertical	150° / 75°
Rated input voltage	100 V
Rated impedance	1667 ohm
Connector	4-pole push-in terminal block

* Technical performance data acc. to IEC 60268-5

Mechanical

Dimensions (H x W x D)	240 x 151 x 138 mm (9.5 x 5.9 x 5.6 in)
Weight	0.8 kg (1.8 lb)
Color	Black (D) or white (L)
cabinet / cloth (D)	Matches RAL 9004 / RAL 9004
cabinet / cloth (L)	Matches RAL 9010 / RAL 7044

Environmental

Operating temperature	-25 °C to +55 °C (-13 °F to +131 °F)
Storage temperature	-40 °C to +70 °C (-40 °F to +158 °F)
Relative humidity	<95%

Ordering information

LB1-CW06-D Corner Cabinet Loudspeaker

6 W, black

Order number **LB1-CW06-D**

LB1-CW06-L Corner Cabinet Loudspeaker

6 W, white

Order number **LB1-CW06-L**

Represented by:

Americas:

Bosch Security Systems, Inc.
12000 Portland Avenue South
Burnsville MN 55337, USA
Phone: +1-800-392-3497
Fax: +1-800-955-6831
audiosupport@us.bosch.com
www.boschsecurity.com

Europe, Middle East, Africa:

Bosch Security Systems B.V.
P.O. Box 80002
5617 BA Eindhoven, The Netherlands
Phone: +31 40 2577 284
Fax: +31 40 2577 330
emea.securitysystems@bosch.com
www.boschsecurity.com

Asia-Pacific:

Robert Bosch (SEA) Pte Ltd, Security Systems
11 Bishan Street 21
Singapore 573943
Phone: +65 6571 2808
Fax: +65 6571 2699
apr.securitysystems@bosch.com
www.boschsecurity.asia

China:

Bosch (Shanghai) Security Systems Ltd.
201 Building, No. 333 Fuquan Road
North IBP
Changning District, Shanghai
200335 China
Phone: +86 21 22181111
Fax: +86 21 22182398
www.boschsecurity.com.cn

America Latina:

Robert Bosch Ltda Security Systems Division
Via Anhanguera, Km 98
CEP 13065-900
Campinas, Sao Paulo, Brazil
Phone: +55 19 2103 2860
Fax: +55 19 2103 2862
al.securitysystems@bosch.com
www.boschsecurity.com