



Column Loudspeakers

LA1-UW24-D1/L1, LA1-UW36-D1/L1

TCA 
TRUNG CHINH AUDIO

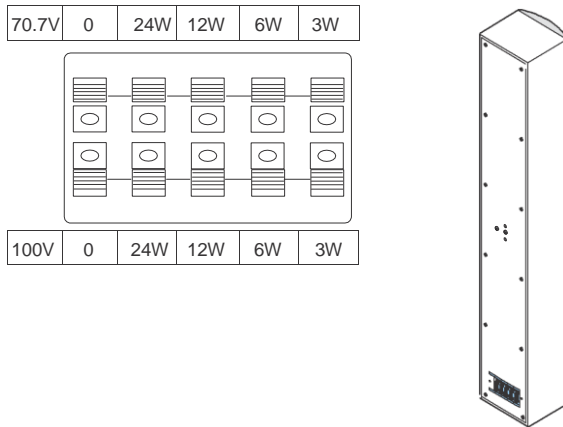


BOSCH

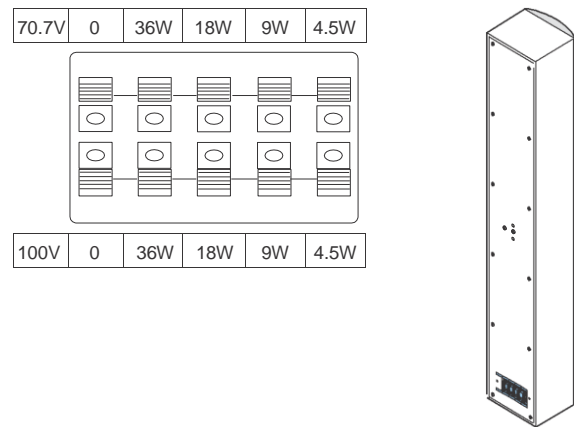
en Installation Note

1 Installation

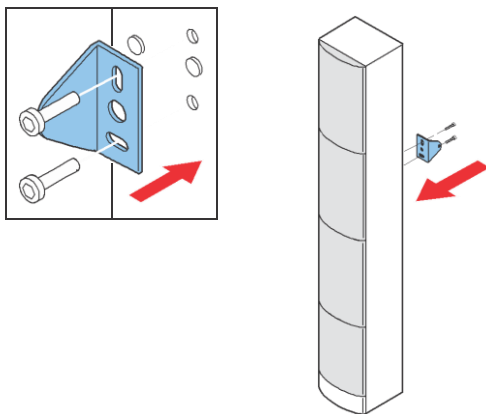
LA1-UW24-D1, LA1-UW24-L1, LA1-UW36-D1 and LA1-UW36-L1 Column Loudspeaker.



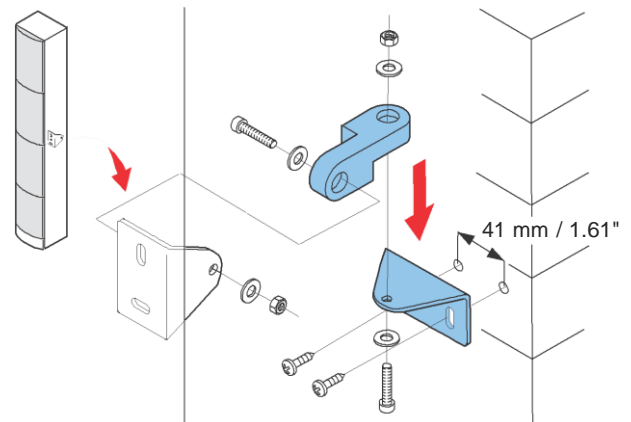
LA1-UW24-x1 power setting.



LA1-UW36-x1 power setting.



Mounting of the loudspeaker bracket.



Mounting of the wall- and turn brackets.

2 Technical data

Electrical*

| Column Loudspeaker type | LA1-UW24-D1/L1 | LA1-UW36-D1/L1 |
|---|----------------------------------|----------------------------------|
| Maximum power | 36 W | 54 W |
| Rated power | 24 / 12 / 6 / 3 W | 36 / 18 / 9 / 4.5 W |
| Sound pressure level at 24 W/36 W / 1 W (1 kHz, 1 m) | 110 dB / 96 dB +/- 3 dB (SPL) | 114 dB / 98 dB +/- 3 dB (SPL) |
| Effective frequency range (-10 dB) | 150 Hz to 12.5 kHz | 160 Hz to 13.5 kHz |
| Opening angle | 1 kHz / 4 kHz (-6 dB) | 1 kHz / 4 kHz (-6 dB) |
| horizontal | 190° / 88° | 190° / 88° |
| vertical | 30° / 8° | 30° / 8° |
| Rated input voltage | 100 V and 70 V | 100 V and 70 V |
| Rated impedance | 417 ohm | 278 ohm |
| Connector | 5-pole push-in terminal block | 5-pole push-in terminal block |

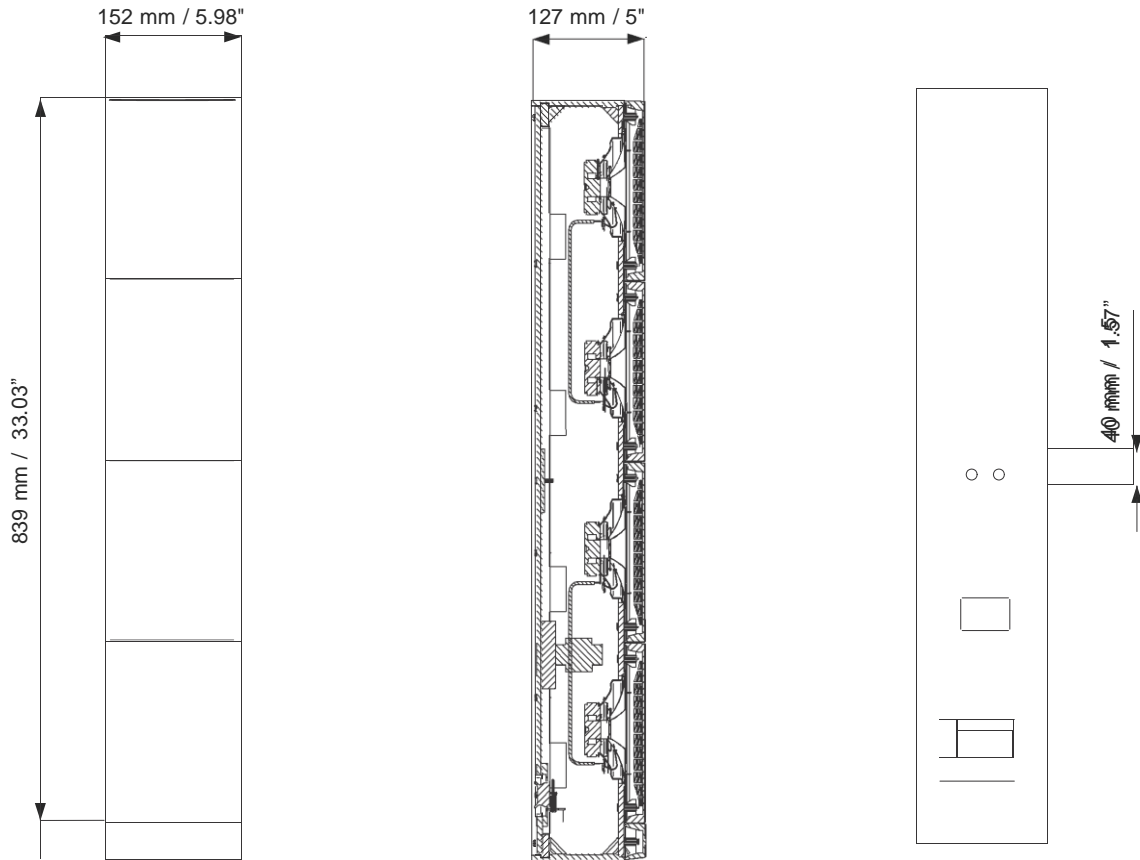
* Technical performance data according to IEC 60268-5

Mechanical

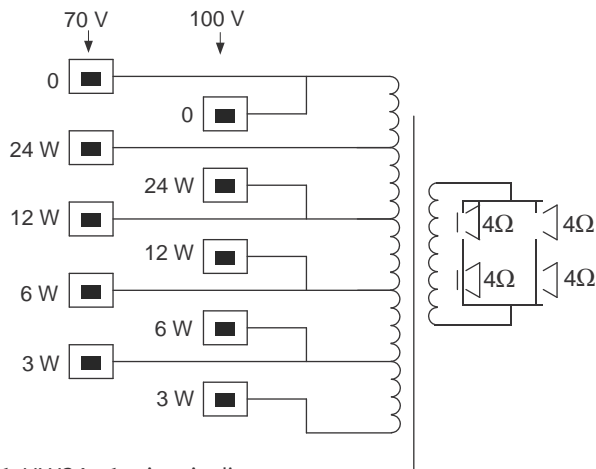
| | |
|--|--|
| Dimensions (H x W x D) | 841x 151 x 129 mm (33.1 x 5.9 x 5.1 in) |
| Weight LA1-UW24-x1 Weight LA1-UW36-x1 | 5.5 kg (12.1 lb) 6 kg (13.2 lb) |
| Color | Black (D1) or white (L1) |
| cabinet / cloth (D1) | Matches RAL 9004 / RAL 9004 |
| cabinet / cloth (L1) | Matches RAL 9010 / RAL 7044 |

Environmental

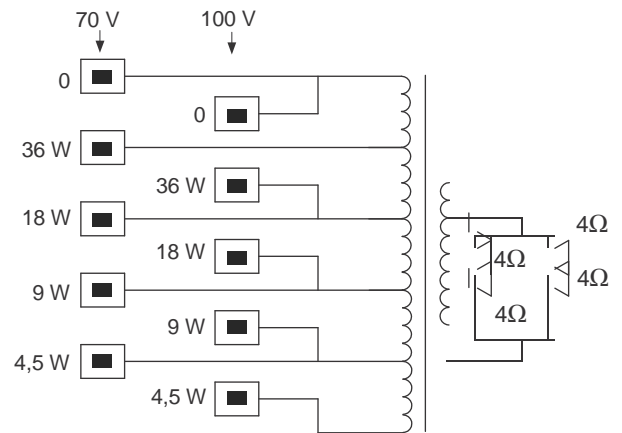
| | |
|-----------------------|---|
| Operating temperature | -25 °C to +55°C (-13 °F to +131 °F) |
| Storage temperature | -40 °C to +70 °C (-40 °F to +158 °F) |
| Relative humidity | <95% |



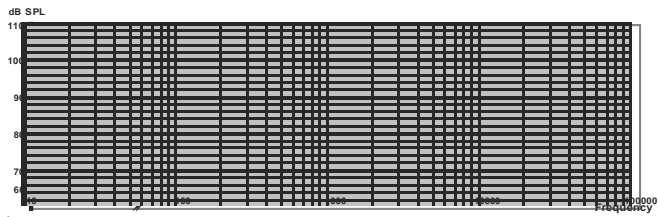
Dimensions



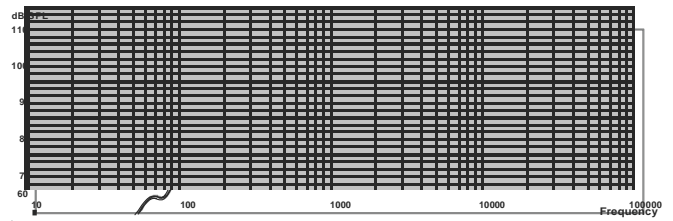
LA1-UW24-x1 circuit diagram.



LA1-UW36-x1 circuit diagram.

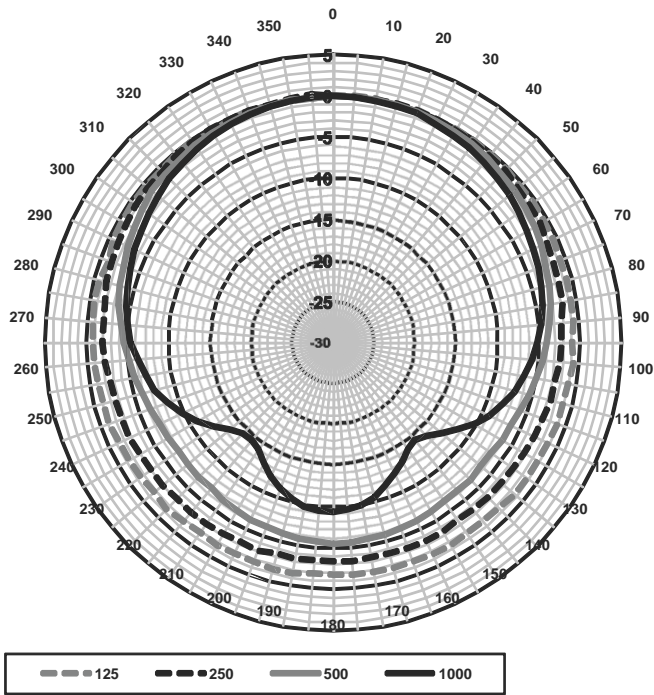


LA1-UW24-x1 frequency response (100V)

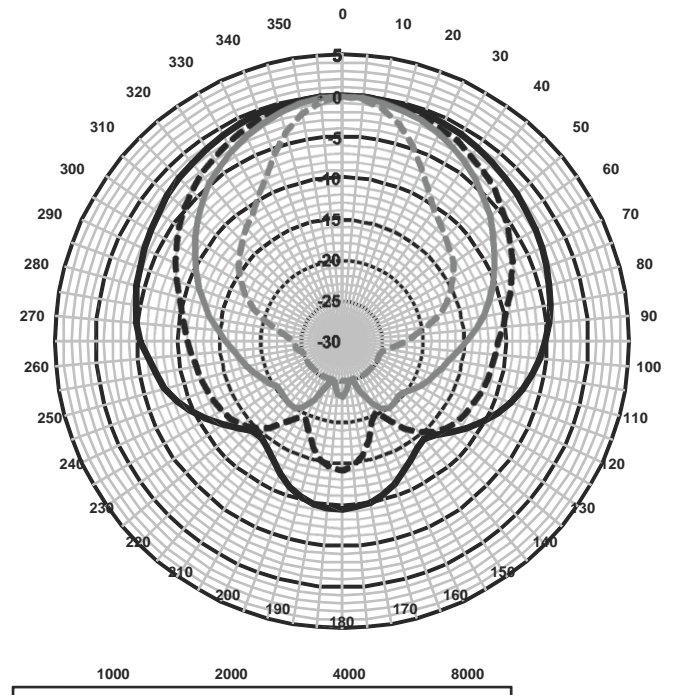


LA1-UW36-x1 frequency response (100V)

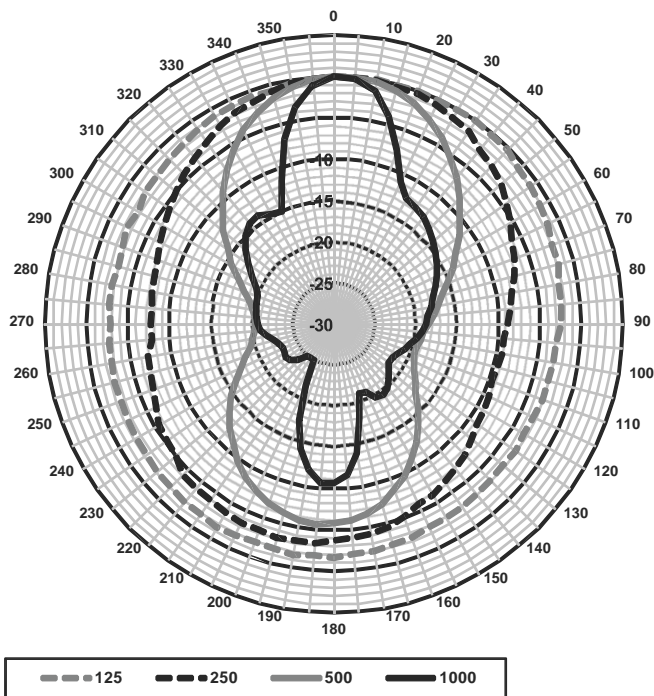
Note: The frequency response is based on measurements at a distance of 1 meter and 4 meter on the main axis.



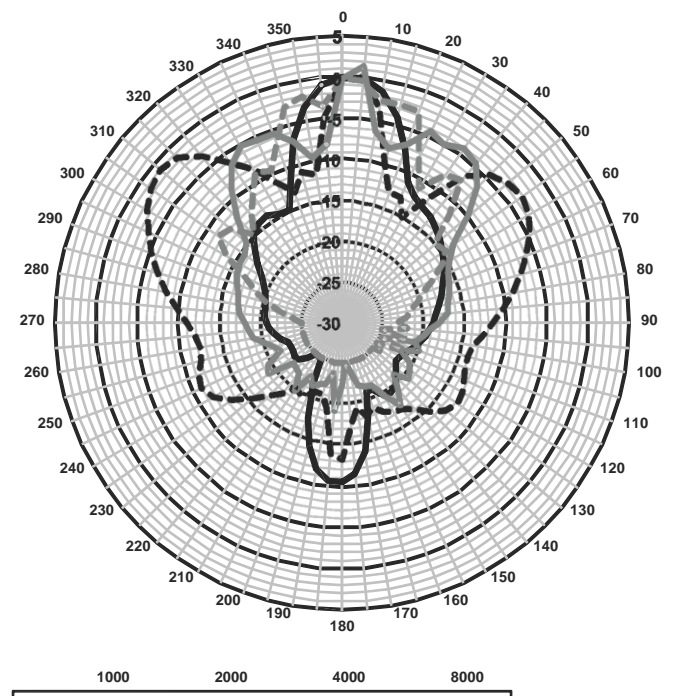
LA1-UW24-x1 polar diagram horizontal (low frequency)



LA1-UW24-x1 polar diagram horizontal (high frequency)

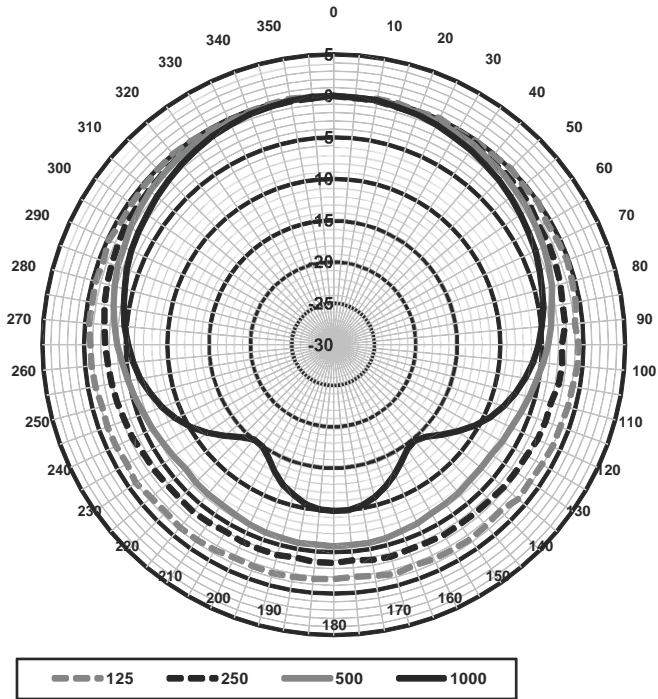


LA1-UW24-x1 polar diagram vertical (low frequency)

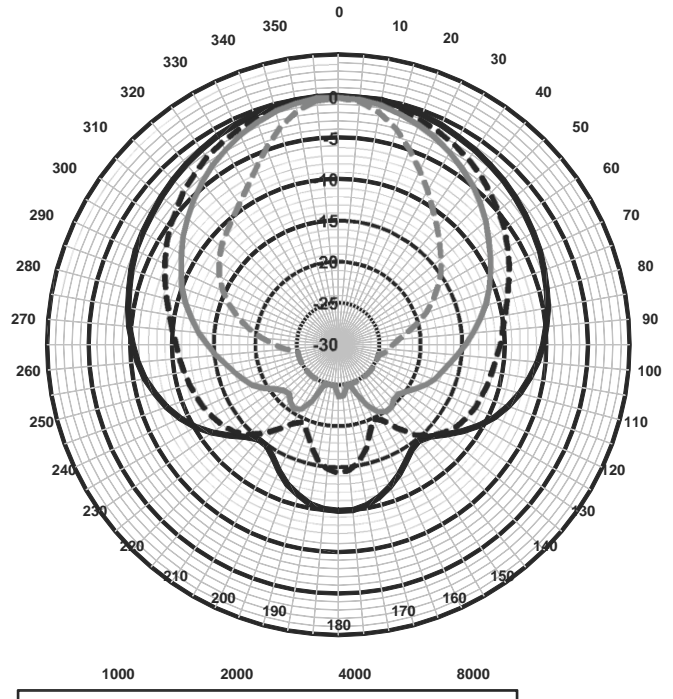


LA1-UW24-x1 polar diagram vertical (high frequency)

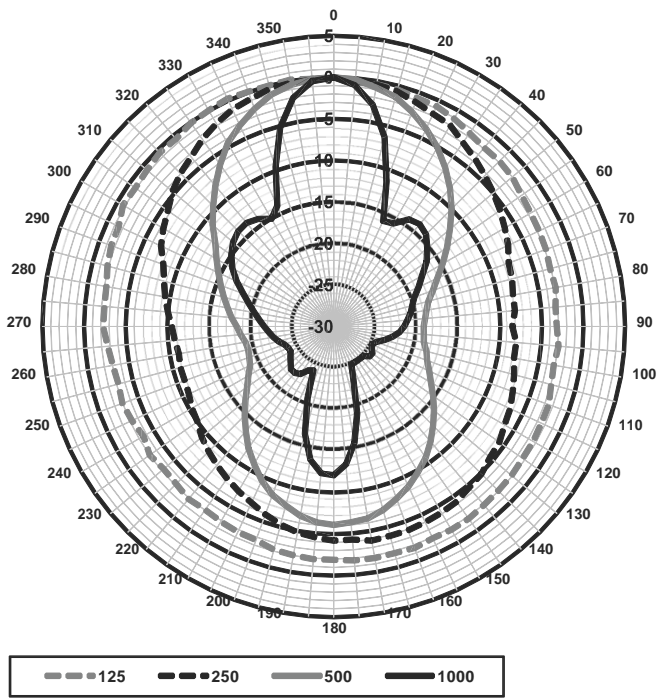
Polar diagrams all measured with pink noise. Normalized at the 0-degree axis.



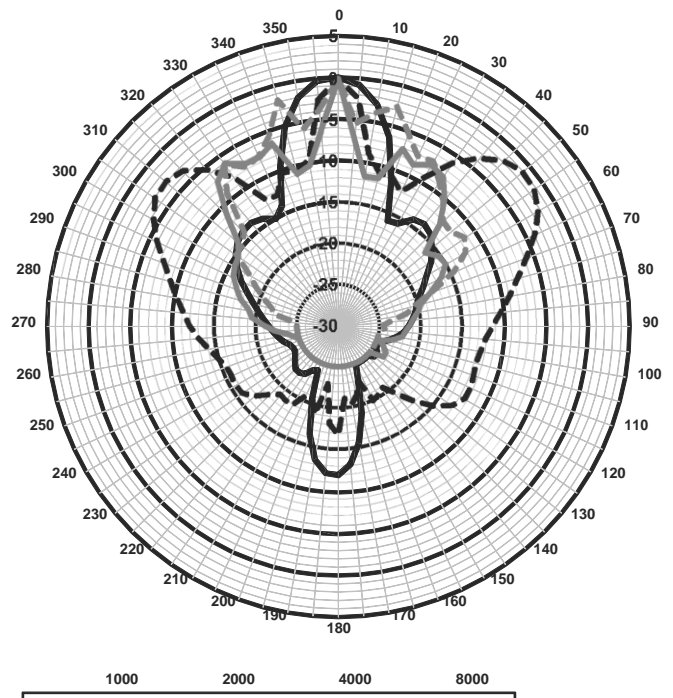
LA1-UW36-x1 polar diagram horizontal (low frequency)



LA1-UW36-x1 polar diagram horizontal (high frequency)



LA1-UW36-x1 polar diagram vertical (low frequency)



LA1-UW36-x1 polar diagram vertical (high frequency)

Polar diagrams all measured with pink noise. Normalized at the 0-degree axis.

Bosch Security Systems B.V.

Torenallee 49

5617 BA Eindhoven The

Netherlands

www.boschsecurity.com

© Bosch Security Systems B.V., 2014

www.trungchinhaudio.vn