



Column Loudspeakers

LA1-UW24-D1/L1, LA1-UW36-D1/L1

TCA 
TRUNG CHINH AUDIO

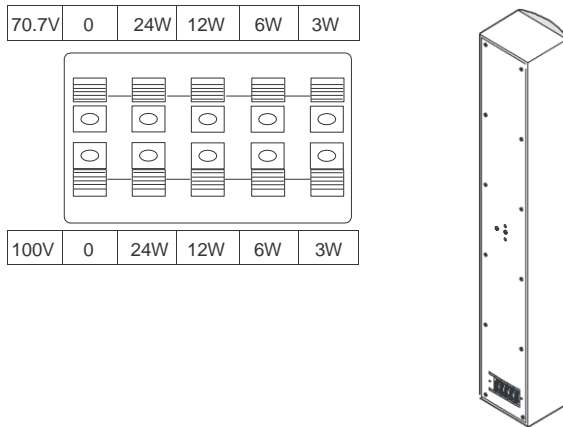


BOSCH

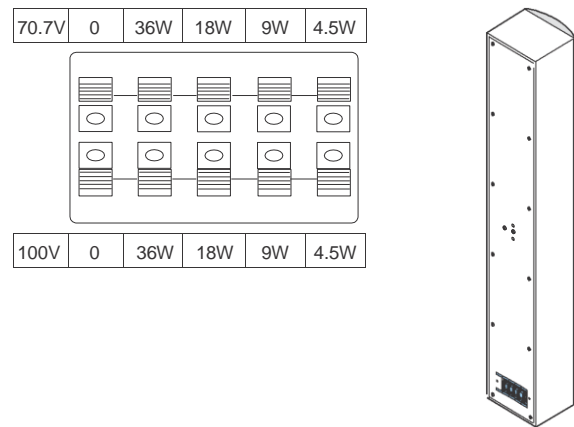
en Installation Note

1 Installation

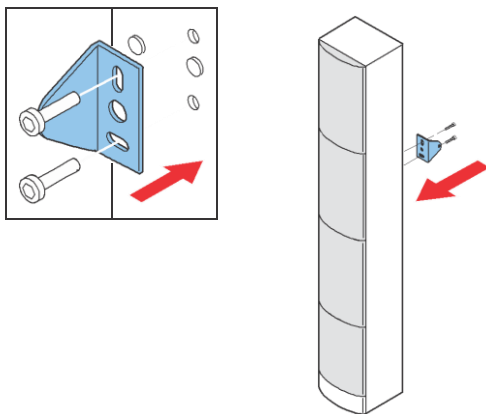
LA1-UW24-D1, LA1-UW24-L1, LA1-UW36-D1 and LA1-UW36-L1 Column Loudspeaker.



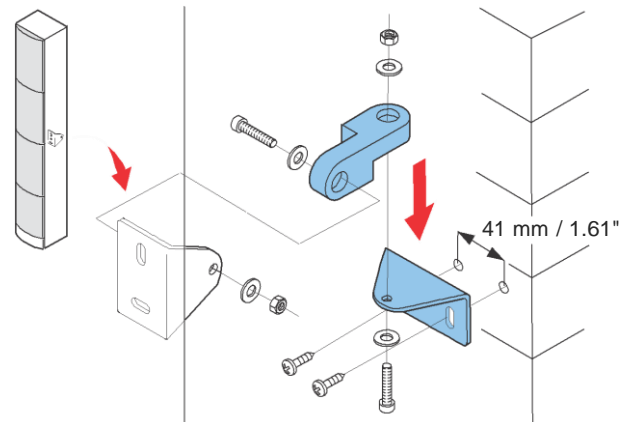
LA1-UW24-x1 power setting.



LA1-UW36-x1 power setting.



Mounting of the loudspeaker bracket.



Mounting of the wall- and turn brackets.

2 Technical data

Electrical*

Column Loudspeaker type	LA1-UW24-D1/L1	LA1-UW36-D1/L1
Maximum power	36 W	54 W
Rated power	24 / 12 / 6 / 3 W	36 / 18 / 9 / 4.5 W
Sound pressure level at 24 W/36 W / 1 W (1 kHz, 1 m)	110 dB / 96 dB +/- 3 dB (SPL)	114 dB / 98 dB +/- 3 dB (SPL)
Effective frequency range (-10 dB)	150 Hz to 12.5 kHz	160 Hz to 13.5 kHz
Opening angle	1 kHz / 4 kHz (-6 dB)	1 kHz / 4 kHz (-6 dB)
horizontal	190° / 88°	190° / 88°
vertical	30° / 8°	30° / 8°
Rated input voltage	100 V and 70 V	100 V and 70 V
Rated impedance	417 ohm	278 ohm
Connector	5-pole push-in terminal block	5-pole push-in terminal block

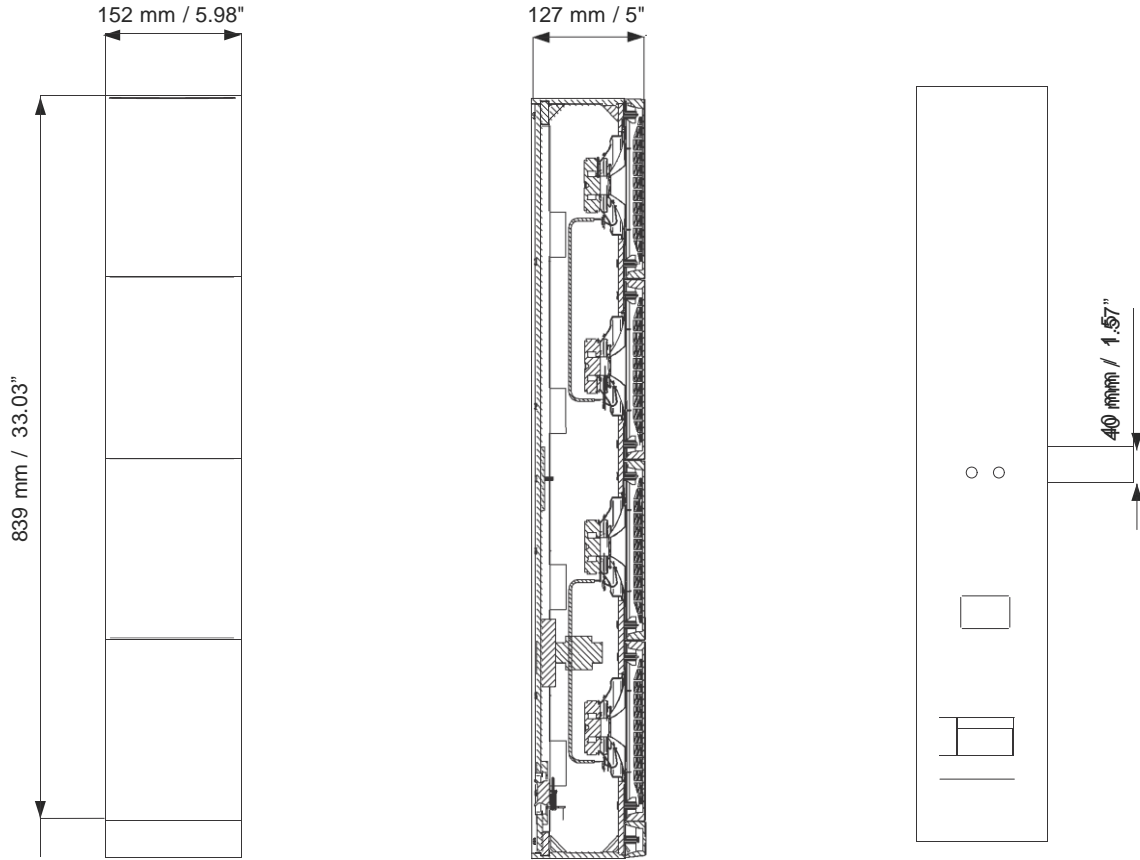
* Technical performance data according to IEC 60268-5

Mechanical

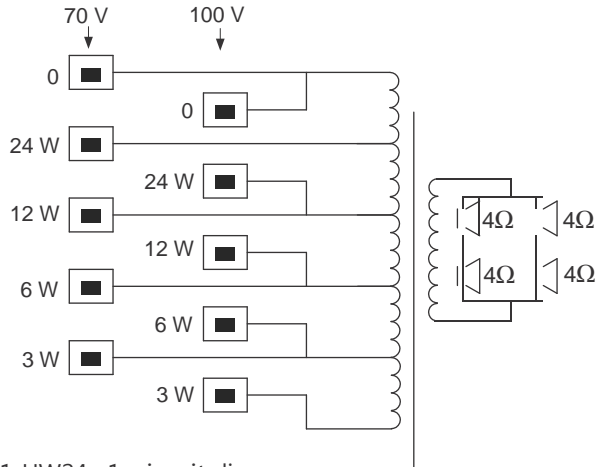
Dimensions (H x W x D)	841x 151 x 129 mm (33.1 x 5.9 x 5.1 in)
Weight LA1-UW24-x1 Weight LA1-UW36-x1	5.5 kg (12.1 lb) 6 kg (13.2 lb)
Color	Black (D1) or white (L1)
cabinet / cloth (D1)	Matches RAL 9004 / RAL 9004
cabinet / cloth (L1)	Matches RAL 9010 / RAL 7044

Environmental

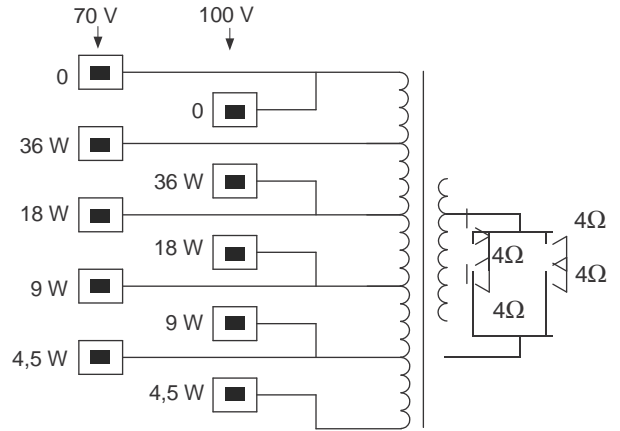
Operating temperature	-25 °C to +55°C (-13 °F to +131 °F)
Storage temperature	-40 °C to +70 °C (-40 °F to +158 °F)
Relative humidity	<95%



Dimensions



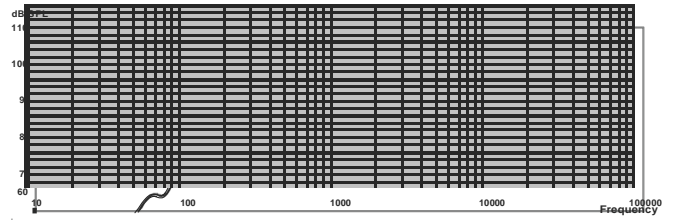
LA1-UW24-x1 circuit diagram.



LA1-UW36-x1 circuit diagram.

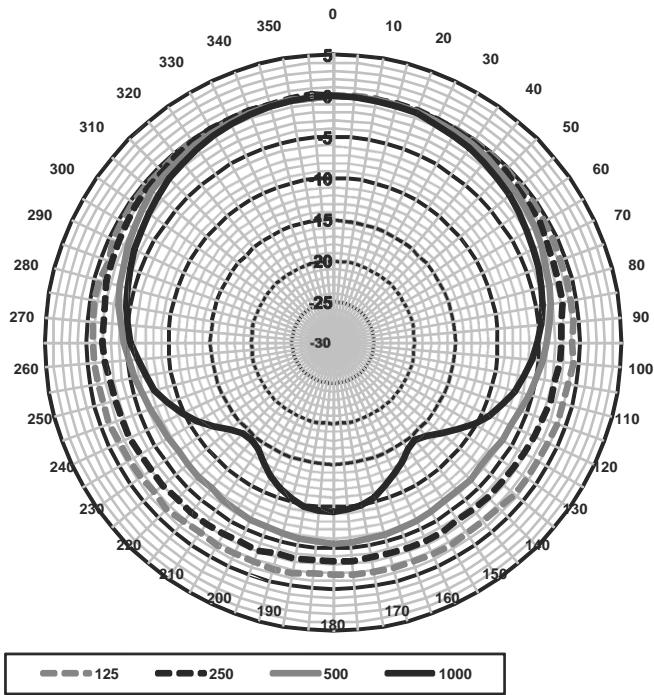


LA1-UW24-x1 frequency response (100V)

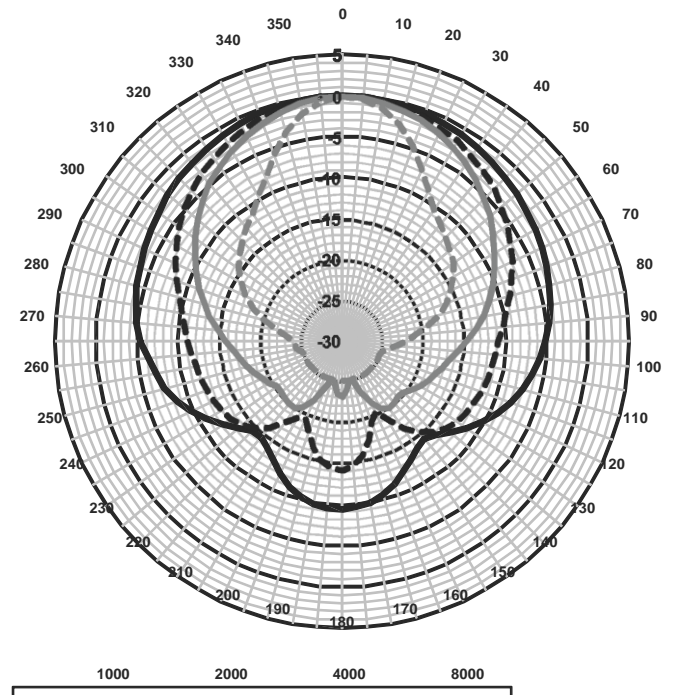


LA1-UW36-x1 frequency response (100V)

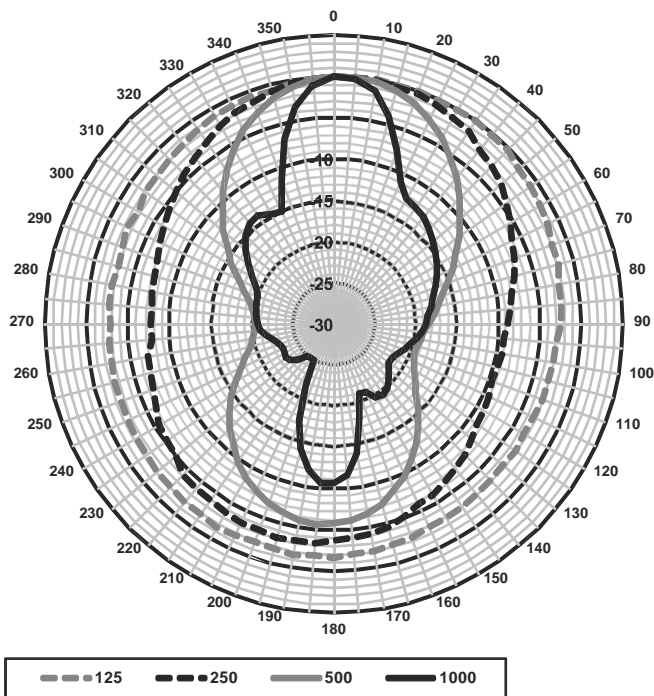
Note: The frequency response is based on measurements at a distance of 1 meter and 4 meter on the main axis.



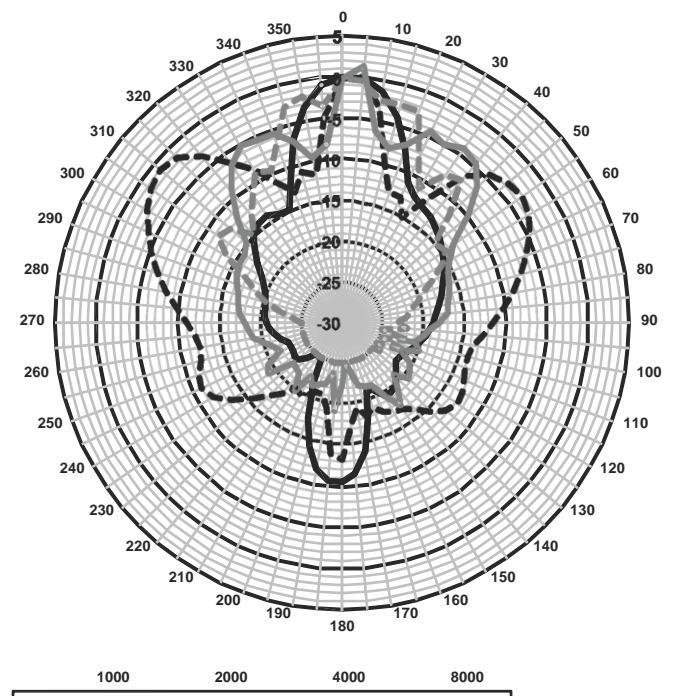
LA1-UW24-x1 polar diagram horizontal (low frequency)



LA1-UW24-x1 polar diagram horizontal (high frequency)

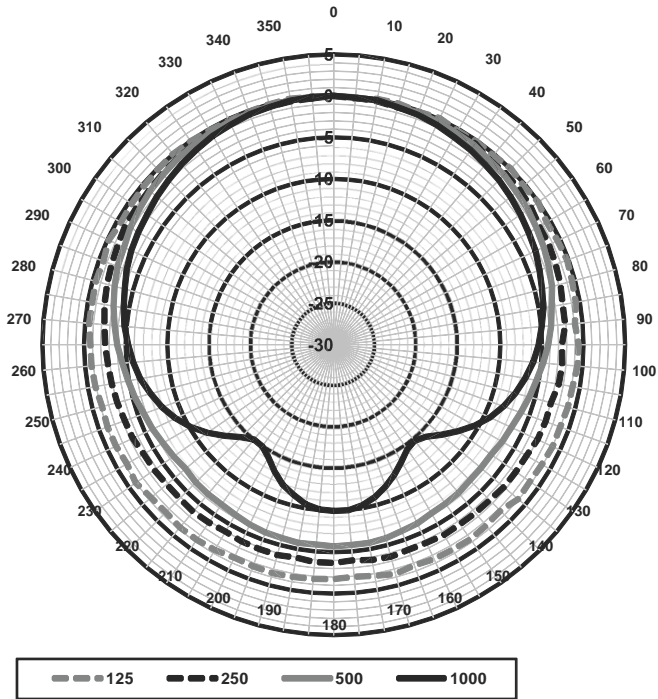


LA1-UW24-x1 polar diagram vertical (low frequency)

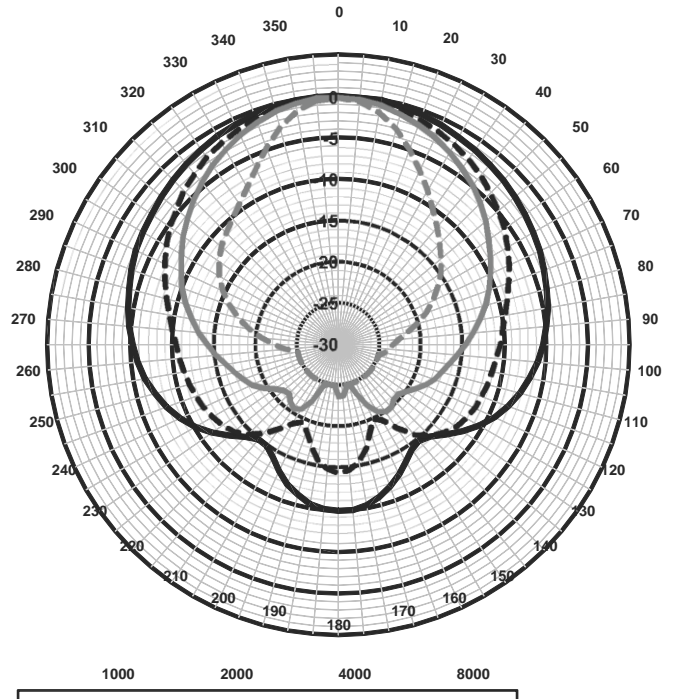


LA1-UW24-x1 polar diagram vertical (high frequency)

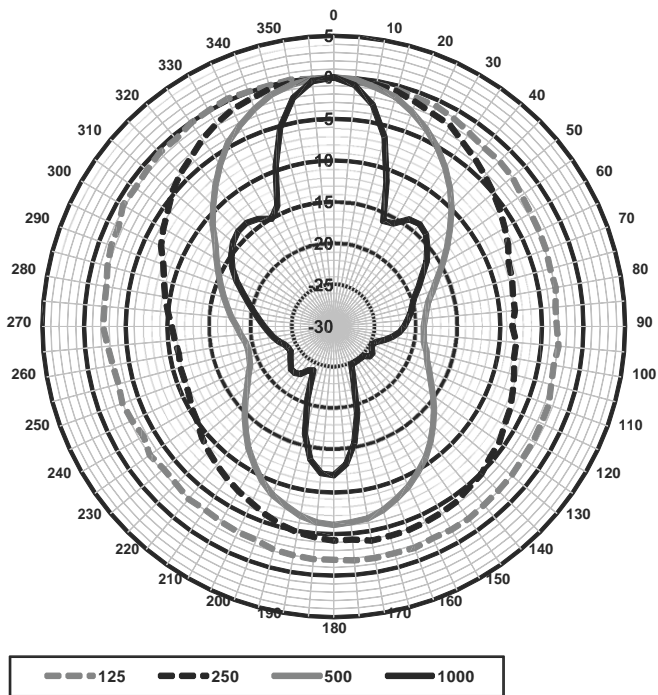
Polar diagrams all measured with pink noise. Normalized at the 0-degree axis.



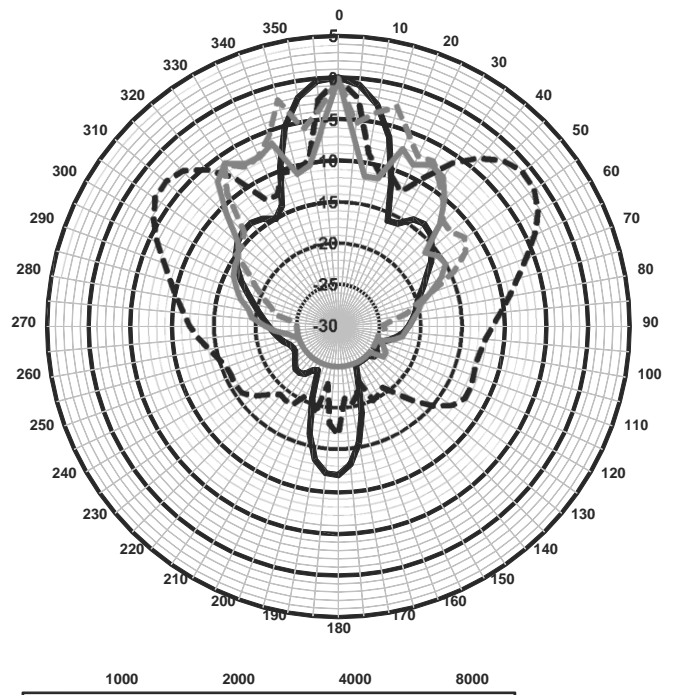
LA1-UW36-x1 polar diagram horizontal (low frequency)



LA1-UW36-x1 polar diagram horizontal (high frequency)



LA1-UW36-x1 polar diagram vertical (low frequency)



LA1-UW36-x1 polar diagram vertical (high frequency)

Polar diagrams all measured with pink noise. Normalized at the 0-degree axis.

Bosch Security Systems B.V.

Torenallee 49

5617 BA Eindhoven The

Netherlands

www.boschsecurity.com

© Bosch Security Systems B.V., 2014

www.trungchinhaudio.vn