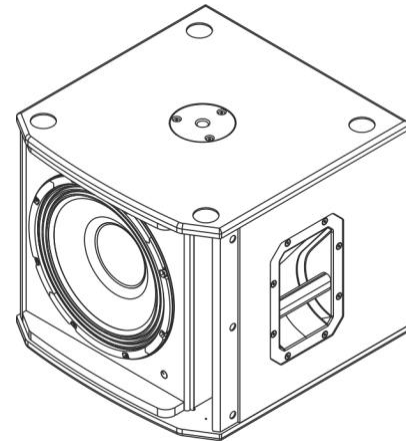


ELX200-12S 12" passive subwoofer



Electro-Voice

- 1600 W (peak), 129 dB peak SPL utilizing high-sensitivity transducer designed and engineered by EV for maximum punch.
- High-output EVS-12L woofer designed to exacting specifications for superior durability and exceptional low-frequency reproduction.
- System reliability verified with over 500 hours of abuse testing and endurance testing.
- Ideal for portable and installed applications. Lightweight, compact 15 mm wood enclosure with internal bracing with durable polyurea top-coat finish.
- Professional-grade hardware: integrated M20 threaded pole mount plate and two-handle design for easy lifting.



The ELX series is designed to deliver an unprecedented combination of sound quality, portability and durability at its price point. All-new custom components—tested to levels far exceeding the industry norm—make ELX200 a robust workhorse capable of handling real-world abuse and professional applications beyond the capability of competitors' products in its category.

Every aspect of ELX200 is designed for ideal results as part of the whole - the acoustical, electrical and mechanical components all work together seamlessly. The subwoofers pack powerful low-frequency output into a surprisingly compact footprint, and feature tuned 15 mm thick wood enclosures with a premium top-coat finish. The proprietary features that have made the other members of the EV portable speaker family a go-to for best-in-class performance are also present.

EV's industry-leading quality and testing procedures yield efficient transducer design and *meaningful* specs, resulting in components that deliver accurate, linear response at the system's highest output levels. Translation: loud *and* clear all the way up to the limit. Unified in one of the strongest full-range composite enclosures ever built by EV. The ELX200 is established

as the new benchmark for toughness - both acoustically and physically; maximum efficiency with maximum toughness.

Technical specifications

Frequency response (-3 dB):	42 Hz - 220 Hz ₁
Frequency range (-10 dB):	33 Hz - 300 Hz ₁
Axial sensitivity:	93 dB ₁
Maximum SPL:	129 dB _{1,2}
Rec. high-pass frequency:	42 Hz
Power handling:	400 W Continuous, 1600 W Peak
LF transducer:	EVS-12L 300 mm (12 in)
Nominal impedance:	8 Ω
Minimum impedance:	6.9 Ω
Connectors:	Dual NL4
Enclosure:	15 mm plywood with durable polyurea top-coat finish

2 | ELX200-12S 12" passive subwoofer

Grille: 18 AWG steel with powdercoat

Color: Black

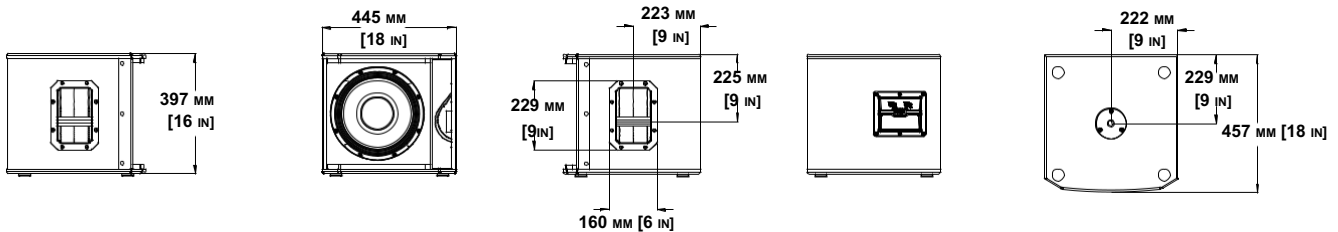
Dimensions (H x W x D): 397 mm x 445 mm x 457 mm
(16.7 in x 17.6 in x 18.0 in)

Net weight: 17.2 kg (38.0 lb)

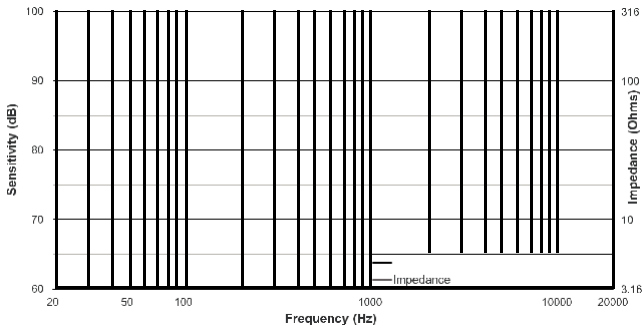
Shipping weight: 20.2 kg (44.6 lb)

- 1 Full-space measurement.
- 2 Maximum SPL is measured at 1 m using broadband pink noise at rated peak power rating.

Dimensions:



Frequency response and impedance:



Ordering information

ELX200-12S 12" passive subwoofer
Passive 12-inch subwoofer, black
Order number **ELX200-12S**

Accessories

ELX200-12S-CVR Padded cover for ELX200-12S, 12SP
Padded cover for ELX200-12S/12SP, black
Order number **ELX200-12S-CVR**

Parts included

Quantity	Component
1	Subwoofer
1	Installation manual
1	Warranty card

Represented by:

Germany:
Bosch Sicherheitssysteme GmbH
Robert-Bosch-Ring 5
85630 Grasbrunn
Germany

Bosch Security Systems, Inc.
12000 Portland Avenue South
Burnsville MN 55337
USA

www.trungchinhaudio.vn