

Loudspeaker



BR15



BR15M



BR12



BR12M



BR10

Cost-effective descendants of the legendary Concert Club Series speakers for a wide range of applications

- Proven audio quality and reliability of Yamaha's acclaimed Concert Club series.
- A variety of cabinets for applications ranging from solo street entertainers to bands in concert halls
- An optimally-tuned bass-reflex system delivers excellent low-frequency response while a horn with titanium-dome compression driver provides broad 90°/40° high-frequency coverage.
- Dual phone jacks for input and parallel connection
- Durable carpeted enclosure with steel corner protectors and heavy duty metal handles
- All models are equipped with a pole socket for use with speaker stands.

BR Series

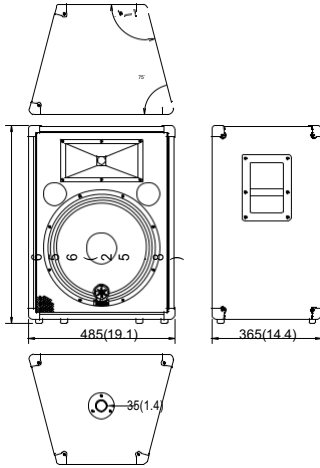
GENERAL SPECIFICATIONS

Model	BR15, BR15M	BR12, BR12M	BR10
Type	2-way bass reflex		
Frequency range (-10dB)	60Hz-20kHz	65Hz-20kHz	65Hz-20kHz
Dispersion (Horizontal x Vertical)	BR10, BR12, BR15 : 90° x 40° BR12M, BR15M : 40° x 90°		
Nominal impedance	8Ω		
Power rating	NOISE	200W	150W
	PGM	400W	300W
	MAX	800W	600W
Sensitivity (1W,1m)	98dB SPL	97dB SPL	96dB SPL
Component	LF	15" cone	12" cone
	HF	CD horn + 1" voice coil compression driver, Titanium	
Input Terminal	Phone x 2		
Dimensions (W x H x D)	BR15: 485 x 656 x 365mm (19.1" x 25.8" x 14.4") BR15M: 652 x 487 x 365mm (25.7" x 19.2" x 14.4")	BR12: 403 x 569 x 335mm (15.9" x 22.4" x 13.2") BR12M: 569 x 407 x 334mm (22.4" x 16.0" x 13.1")	394 x 537 x 326mm (15.5" x 21.1" x 12.8")
Weight	BR15:21.3kg (47.0lbs) BR15M:20.9kg (46.1lbs)	BR12:16kg (35.3lbs) BR12M:15.6kg (34.4lbs)	14.4kg (31.7lbs)

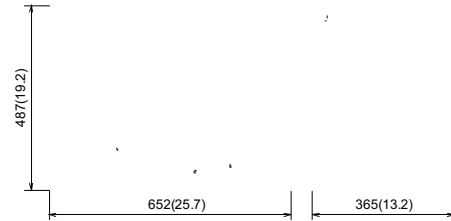
DIMENSIONS

unit : mm (inch)

BR15



BR15M



BR12

BR12M

BR10

