

Loudspeaker



S215V



C215V



S115V



C115V



S112V



C112V

Durable carpeted exteriors and stunning sound for the rigors of the road.

A sophisticated spray-finish look with the legendary Club V sound.

- Painstaking selection of parts and components, optimized wooden enclosures, and a thorough reevaluation of speaker capacity take sonic performance to a new level.
- Dual phone jacks and dual Speakon connectors for input and parallel connection
- Protection circuit prevents excessive tweeter input due to acoustic feedback or other causes.
- Durable enclosure with arced steel grille, and large metal handles for improved portability
- S112V (C112V) and S115V (C115V) are equipped with a pole socket for use with speaker stands.
- The YSProcessing (Yamaha Speaker Processing) switch provided on the EMX series powered mixers and P series amplifiers enhances matching with single-woofer models for even greater sonic impact.

Concert Club V Series

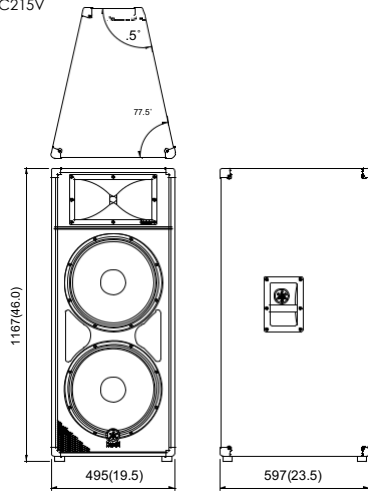
GENERAL SPECIFICATIONS

| Model | S215V / C215V | S115V / C115V | S112V / C112V |
|--|---|---|---|
| Type | 2-way bass-reflex | | |
| Frequency range (-10dB) | 42Hz-16kHz | 55Hz-16kHz | 60Hz-16kHz |
| Nominal coverage (Horizontal x Vertical) | 90° x 40° | | |
| Nominal impedance | 4Ω | 8Ω | |
| Power rating | NOISE | 500W | 250W |
| | PGM | 1000W | 500W |
| | MAX | 2000W | 1000W |
| Sensitivity (1W,1m) | 99dB SPL | | 97dB SPL |
| Component | LF | 15" cone x 2 | 15" cone |
| | HF | CD horn + 2" voice coil compression driver | |
| Connectors | 1/4" phone jack x 2, SPEAKON Neutrik NL4MP x 2 | | |
| Dimensions (W x H x D) | 495 x 1167 x 597mm (19.5" x 46.0" x 23.5") | 489 x 719 x 377mm (19.3" x 28.3" x 14.8") | 420 x 632 x 333mm (16.5" x 24.9" x 13.1") |
| Weight | S215V: 47.2kg (104.1lbs) / C215V: 47.5kg (104.7lbs) | S115V: 29.4kg (64.8lbs) / C115V: 30.3kg (66.8lbs) | S112V: 20.8kg (45.9lbs) / C112V: 21.3kg (47lbs) |

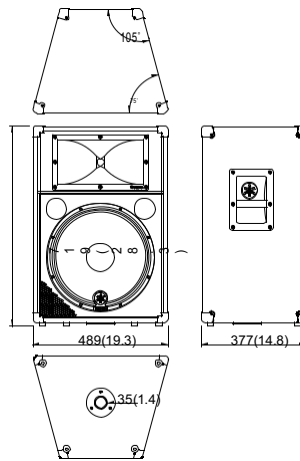
DIMENSIONS

unit : mm (inch)

S215V/C215V



S115V/C115V



S112V/C112V

