



## DSR112

### *Outstanding Performance in FOH or Floor Monitor Applications*

- 1300-watt bi-amped full-range speaker system featuring custom-designed transducers: one 12" cone driver and one 2" titanium-diaphragm compression driver.
- HF compression driver couples to a 90° x 60° long-throw broad-dispersion constant-directivity waveguide horn.
- Advanced digital sound processing provides Yamaha's proprietary FIR-X tuning(TM) technology for the smoothest possible crossover transitions, plus D-CONTOUR(Dynamic-CONTOUR) multi-band dynamic processing that achieves consistently outstanding balance and clarity at any output levels.
- Digital processing is handled by high performance DSP chips and discrete 24-bit ADCs and DACs (48-bit internal processing) for superior signal-to-noise ratio and dynamic range.
- Class-D amplification powered by an exceptionally clean PFC switching power supply delivers class-leading power and reproduction accuracy with high efficiency.
- High degree of DSP-controlled protection functions over the power supply, power amplifiers and transducers ensures fail-safe operation.
- Locking IEC power cable prevents accidental disconnection.
- Heavy-duty 16-gauge powder-coated steel grilles for extended durability.
- Rugged LINE-X® exterior coating.
- Includes 35mm pole socket for stand mounting, plus integrated M10 rigging points for suspended application.



## DSR118W

### *High Power and Accuracy in a Remarkably Compact Design*

- 18" bass-reflex active subwoofer delivers 132 dB SPL from 50Hz to 110Hz (-3 dB) for accurate, space-filling bass.
- Low frequency output extends down to 40Hz at -10 dB.
- 800-watt Class-D amplification powered by an exceptionally clean PFC switching power supply delivers solid power and reproduction accuracy with high efficiency.
- Fail-safe protection for power supply, power amplifier, and transducer.
- Locking IEC power cable prevents accidental disconnection.
- Top-panel pole mount facilitates mounting a full-range speaker above the subwoofer.
- Heavy-duty 16-gauge powder-coated steel grilles for extended durability.
- Rugged LINE-X® exterior coating.

# DSR112

## SYSTEM

Type	12" 2-way, Bi-amp Powered Speaker, Bass-reflex Type	
Transducer	LF	12" cone (3" voice coil, Neodymium Magnet)
	HF	2" Titanium diaphragm compression driver (2" voice coil, Neodymium Magnet)
Frequency range (-10dB)	55Hz ~ 20kHz	
Frequency response (-3dB)	60Hz ~ 18kHz	
Coverage angle	H90° x V60°	
Crossover type	FIR-X tuning (linear phase FIR filter)	
Crossover frequency	1.7kHz	
Max. SPL (peak)	IEC noise @ 1m	134dB SPL

Amplifier type	Class-D	
Power rating	1300W (LF:850W, HF:450W)	
Cooling	Natural Convection	
Controls	LEVEL control, LINE/MIC switch, HPF switch, D-CONTOUR switch, FRONT LED DISABLE switch, POWER switch	
HPF frequency	120Hz (-6dB) 24dB/oct	
Boost type	D-CONTOUR (Dynamic CONTOUR)	
Protection	Load	POWER switch on/off, DC-fault, Integral Power Protection, Clip limiting
	Amplifier	Thermal, Output through current
	Power supply	Thermal, Over voltage
Connectors	Input	XLR-3-31 x 1 (Balanced), TRS Phone Jack x1 (Balanced)
	Output	XLR-3-32 x 1 (Balanced), Parallel connection with INPUT
Power Consumption	1/8Power	100W

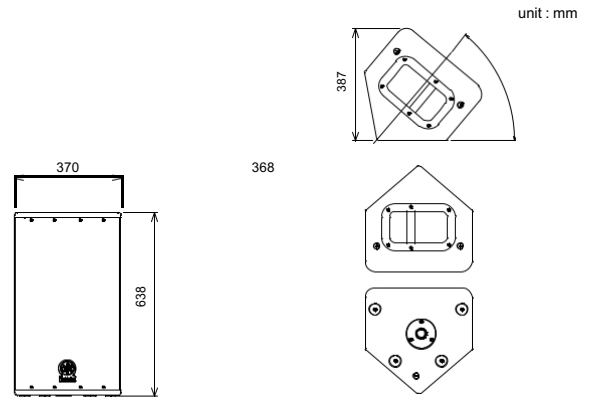
## ENCLOSURE

Dimension (W x H x D)	370x638x368mm (14 5/8"x25 2/8"x14 4/8")	
Weight	21.2kg (47lbs)	
Externals finish, color	LINE-X®, Black	
Grille	16 gauge matte black powder coated perforated steel grille	
Metal Handle	1pc (Top Board)	
Pole socket	Diameter	35mm (Bottom Board)
Flying hardware	3 x M10 (TOP L/R 1pc each, Bottom rear 1pc)	

## INPUT SPECIFICATIONS

Input	LEVEL position: maximum	0dBu (MIC/LINE switch:LINE), -25dBu (MIC/LINE switch:MIC)
Sensitivity	LEVEL position: center (12 O'clock)	+7dBu
Maximum Input Level		+24dBu (MIC/LINE switch:LINE), -11dBu (MIC/LINE switch:MIC)
Input Impedance		12kΩ (MIC/LINE switch:LINE), 8kΩ (MIC/LINE switch:MIC)

## DIMENSIONS



# DSR118W

## SYSTEM

Type	18" Powered Subwoofer, Bass-reflex Type	
Transducer	LF	18" cone (3" voice coil, Ferrite Magnet)
Frequency range (-10dB)	40Hz ~ 130Hz	
Frequency response (-3dB)	50Hz ~ 110Hz	
Max. SPL (peak)	IEC noise @ 1m	132dB SPL

## AMPLIFIER

Amplifier type	Class-D	
Power rating	800W	
Cooling	Natural Convection	
Controls	LEVEL control, POLARITY switch, FRONT LED DISABLE switch, POWER switch	
Protection	Load	POWER switch on/off, DC-fault, Integral Power Protection, Clip limiting
	Amplifier	Thermal, Output through current
	Power supply	Thermal, Over voltage
Connectors	Input	XLR-3-31 x 2 (Balanced)
	Output	XLR-3-32 x 2 (Balanced) Parallel connection with INPUT
	Power	AC inlet x 1
Power Consumption	1/8Power	100W

## ENCLOSURE

Dimension (W x H x D)	520x638x584 mm (20 4/8"x25 2/8"x23")	
Weight	42.0kg (93lbs)	
Externals finish, color	LINE-X®, Black	
Grille	16 gauge matte black powder coated perforated steel grille	
Metal Handle	2pcs (Side Board)	
Pole socket	Diameter	35mm (Top Board)

## INPUT SPECIFICATIONS

Input	LEVEL position: maximum	0dBu
Sensitivity		
Maximum Input Level		+24dBu
Input Impedance		10kΩ

## DIMENSIONS

