

www.trungchinhaudio.vn

Overview

The all-new DXS15 subwoofer delivers powerful yet focused low end reaching as low as 45Hz. The DXS's fully optimized band-pass design combines with its powerful Class-D amplifier, long-travel 15" woofer, and formidable DSP to deliver a tight, impressive bass with outstanding depth and high power output.



Features

- Output levels up to 132dB SPL with 950W Class-D power amplifier
- Low frequency extension down to 45Hz
- Optimized band-pass design produces high SPL with drastically reduced distortion
- Powerful D-XSUB DSP processing provides a choice of NORMAL, BOOST, or XTENDED LF settings to match a variety of applications
- Extensive DSP protection functions for maximum output
- Custom-designed high power woofer with superior damping characteristics
- INPUT and THRU connectors for efficient, flexible system setup
- Universal switching-mode power supply for world-wide use
- Durable Wooden Enclosure with LINE-X Coating

Specifications

General Specifications

| | | |
|---------------------------|------------|--------------------------------------------------------|
| System Type | | Powered subwoofer, Band-pass type |
| Components | | 15" cone, 2.5" voice coil, Ferrite Magnet |
| Frequency Range | (-10dB) | 45Hz-160Hz |
| Output Power*1 | Dynamic | 950W |
| | Continuous | 600W |
| Maximum SPL (1m, on axis) | | 132dB SPL |
| Processing | | D-XSUB: BOOST, XTENDED-LF, OFF |
| Controls | | LEVEL, POLARITY, LPF, D-XSUB, FRONT LED DISABLE, POWER |
| Cooling | | Fan cooling, 4 speeds |
| Power Requirements | | 100V-240V, 50Hz/60Hz |
| 1/8 Power Consumption | | 120W |
| Pole Socket | | 35mm (Top x 1) |
| Handle | | Side x 2 |
| Material, Finish, Color | | Wood, LINE-X®, Black |
| Dimensions (W×H×D) | | 478mm x 618mm x 642mm (18.8" x 24.3" x 24.5") |
| Net Weight | | 38.0kg (83.8lbs) |
| Optional Accessories | | SPCVR-15S01 |

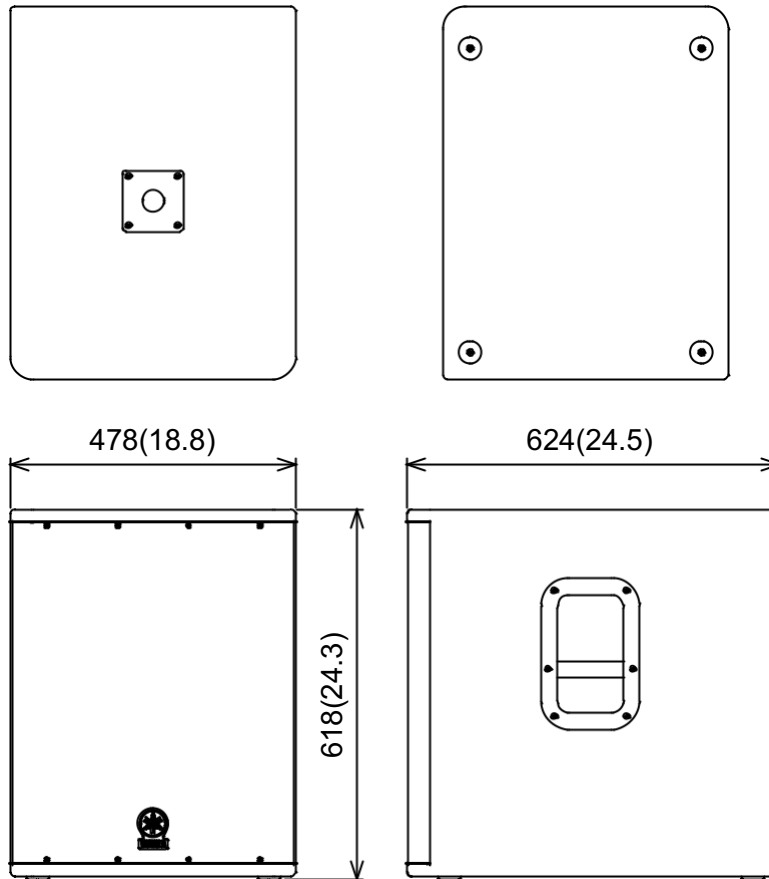
*1 Power rating (120V, 25°C). This is total value of individual output power.

Input/Output Specifications

| | | |
|------------------------------------|--------|-----------------------------------------|
| Connectors | Input | INPUT: XLR-3-31 x 2 |
| | Output | THRU: XLR3-32 x 2 (Parallel with INPUT) |
| Input Impedance | | INPUT1: 10kΩ |
| Input Sensitivity (LEVEL: Maximum) | | INPUT1: +1 dBu |
| Input Sensitivity (LEVEL: Center) | | INPUT1: +11 dBu |
| Maximum Input Level | | INPUT1: +24 dBu |

Dimensions

Unit: mm (inch)



Options

- Speaker Cover SPCVR-15S01

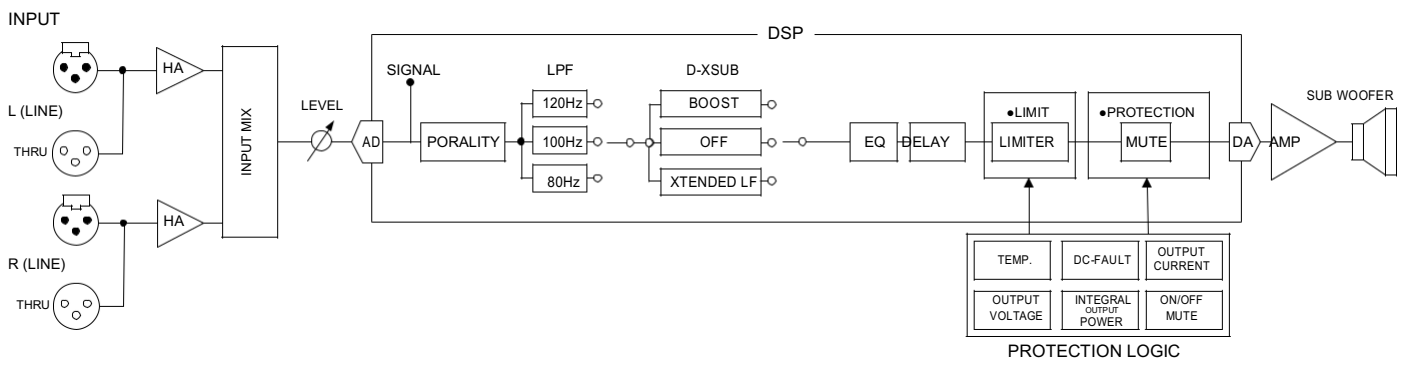
Architectural and Engineering Specifications

The Yamaha DXS15 Powered Subwoofer shall be a band-pass type subwoofer system incorporating a single 15" cone with a 2.5" voice coil. The subwoofer shall incorporate a class-D amplifier (950 watts dynamic/600 watts continuous) and DSP functions such as FIR-X tuning (linear phase FIR filters) and D-XSUB (multi-band compression). The amplifier section shall have a 4-speed fan for cooling.

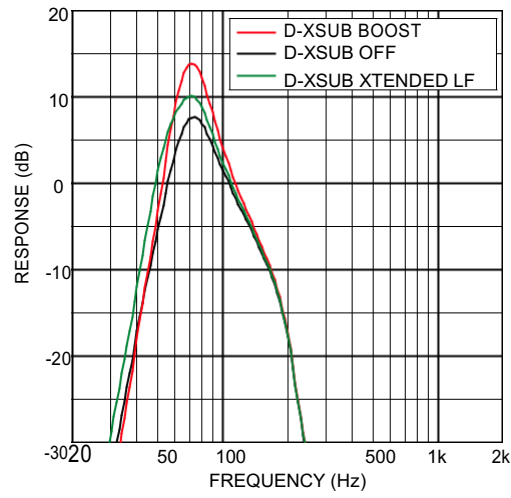
The DXS15 Powered Subwoofer shall meet the following performance criteria: Maximum SPL shall be 132 dB at 1 meter, frequency response shall be 45 Hz to 160 Hz at 10 dB below rated sensitivity.

The subwoofer shall have two XLR3-31 connectors for input and two XLR3-32 connectors for parallel output. The cabinet shall be constructed of wood with LINE-X® finish. A 35 mm pole socket shall be provided. Dimensions shall be 478 (W) x 618 (H) x 624 (D) mm. Weight shall be no more than 38 kg.

Block Diagrams



Frequency Response



*All information subject to change without notice.

*All trademarks and registered trademarks are property of their respective owners.

Created in March, 2017