



# PC-648R/PC-658R SERIES

## **SPRING CLAMP TYPE**

## **CEILING MOUNT SPEAKERS**



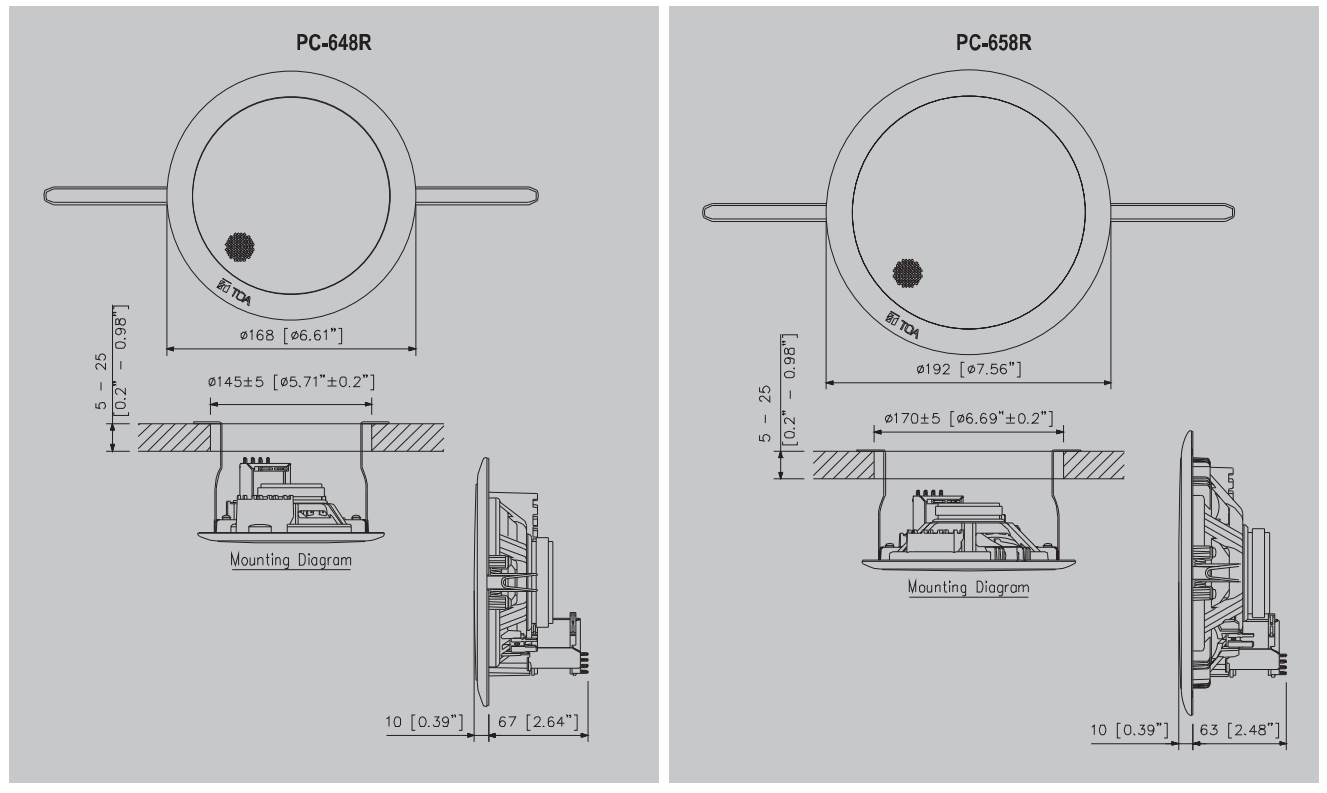
*Cost effective and superbly easy installation*

Integrated with a resin panel and speaker frame, the PC-648R and PC-658R are the ceiling mount speakers with a metal grille attached. They feature spring clamp mechanism for easy speaker mounting to the ceiling. The input impedance can be easily changed by changing the tap position of the transformer.

## Features

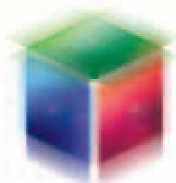
- Spring clamp mechanism for easy speaker mounting to the ceiling.
- 12cm (5") cone type (PC-648R)
- 16cm (6") cone type (PC-658R)
- PP Resin, SECC punching Net

## Installation Examples



## Specifications

Model	PC-648R	PC-658R
Rated Input	6W (100V line), 3W (70V line)	
Rated Impedance	100V line: 1.7 k $\Omega$ (6W), 3.3k $\Omega$ (3W), 10k $\Omega$ (1W) 70V line: 1.7k $\Omega$ (3W), 3.3k $\Omega$ (1.5W), 10k $\Omega$ (0.5W)	
Sensitivity	90dB (1W, 1m)	
Frequency Response	100 – 18,000Hz	65– 18,000Hz
Speaker Component	12cm (5") cone-type	16cm (6") cone-type
Dimensions for fixing Hole	Mounting hole: $\phi 145 \pm 5$ mm ( $\phi 5.71 \pm 0.2$ " ) Ceiling thickness: 5 – 25mm (0.2 – 0.98")	Mounting hole: $\phi 170 \pm 5$ mm ( $\phi 6.69 \pm 0.2$ " ) Ceiling thickness: 5 – 25mm (0.2 – 0.98")
Speaker Mounting Method	Spring clamp	
Finish	Baffle: Polypropylene resin, off-white paint Grille: Surface-treated steel plate net, off-white paint	
Dimensions	$\phi 168 \times 77$ (D) mm	$\phi 192 \times 73$ (D) mm
Weight	470g	500g
Accessory	Paper pattern ...1	



Human society with  
Sound & Communication

TOA Corporation  
[www.amthanhtoa.vn](http://www.amthanhtoa.vn)

Specifications are subject to change without notice.

Printed in Singapore (0706) 833-52-387-10